

Albeo™ LED Luminaire

Linear Lighting
(ALC5 Series)

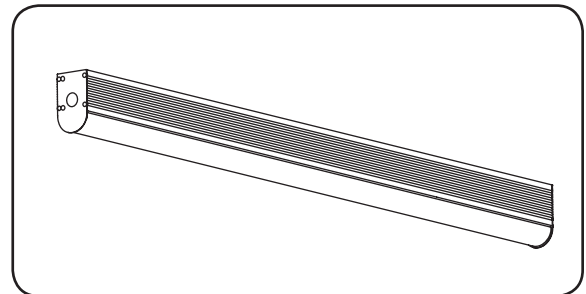
Features

- 5 year warranty
- Damp location rated



BEFORE YOU BEGIN

Read these instructions completely and carefully.



⚠ WARNING/AVERTISSEMENT

RISK OF ELECTRIC SHOCK

- Turn power off before inspection, installation or removal.
- Properly ground electrical enclosure.

RISK OF FIRE

- Follow all NEC and local codes.
- Use only UL or IEC approved wire for input/output connections. Minimum size 18 AWG.

RISQUES DE DÉCHARGES ÉLECTRIQUES

- Coupez l'alimentation avant d'inspecter, installer ou déplacer le luminaire.
- Assurez-vous de correctement mettre à la terre le boîtier d'alimentation électrique.

RISQUES D'INCENDIE

- Respectez tous les codes NEC et codes locaux.
- N'utilisez que des fils approuvés par UL ou IEC pour les entrées/sorties de connexion. Taille minimum 18 AWG.

This device complies with part 15 of the FCC Rules. Operation is subject to the following two conditions: (1) This device may not cause harmful interference, and (2) this device must accept any interference received, including interference that may cause undesired operation. CAN ICES-3 (A)/NMB-3(A)

This equipment has been tested and found to comply with the limits for a Class A digital device, pursuant to part 15 of the FCC Rules. These limits are designed to provide reasonable protection against harmful interference when the equipment is operated in a commercial environment. This equipment generates, uses, and can radiate radio frequency energy and, if not installed and used in accordance with the instruction manual, may cause harmful interference to radio communications. Operation of this equipment in a residential area is likely to cause harmful interference in which case the user will be required to correct the interference at his own expense.

Save These Instructions

Use only in the manner intended by the manufacturer. If you have any questions, contact the manufacturer.

Prepare Electrical Wiring



Electrical Requirements

- The LED driver must be supplied with 120-480 VAC, 50/60 Hz per product label and connected to an individual properly grounded branch circuit, protected by a 15 or 20 ampere circuit breaker.



Grounding Instructions

- The grounding and bonding of the overall system shall be done in accordance with National Electric Code (NEC) Article 600 and local codes.



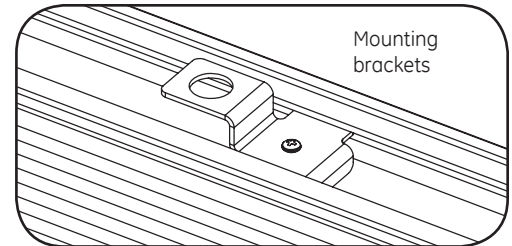
imagination at work

Unit Installation

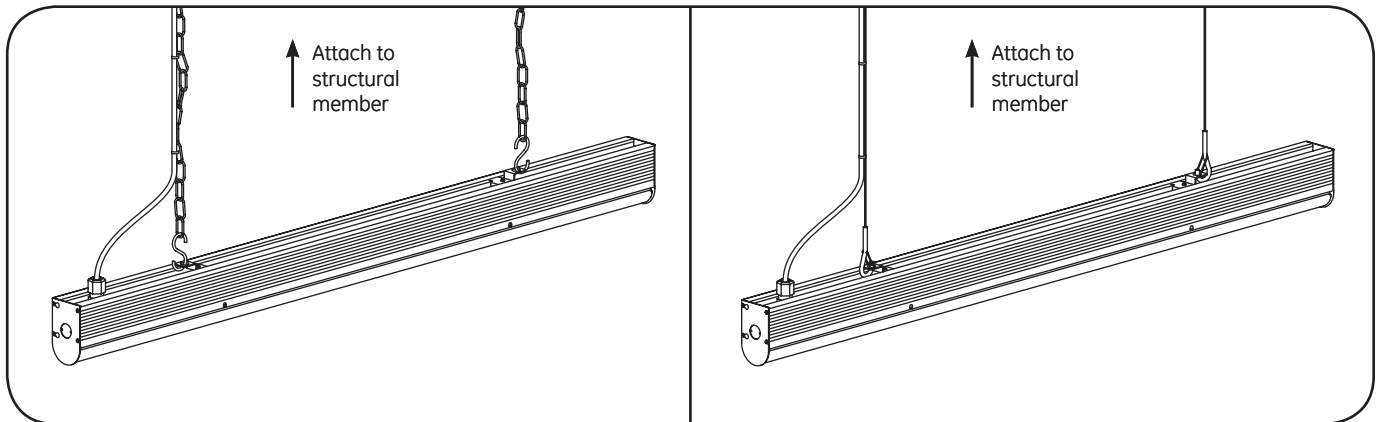
- 1 Carefully unpack unit and properly inspect for defects before installing. Wear work gloves to prevent dirt and oil from being transferred to the luminaire.
- 2 Choose a mounting method: chain, cable, rod, or surface mount.
NOTE: Please follow all UL, NEC and minimum load rating guidelines when selecting and installing a cable, chain, or rod.
- 3 The mounting brackets come pre-installed. Loosen the screws to move the brackets to a desired location, then re-tighten. Each mounting bracket can connect to a chain, cable, rod, or be surface mounted.

ALC5 Fixture Weight

Size	120-277V	347/480V
4 ft. fixture	8.5 lbs.	11.5 lbs.
8 ft. fixture	17 lbs.	20 lbs.

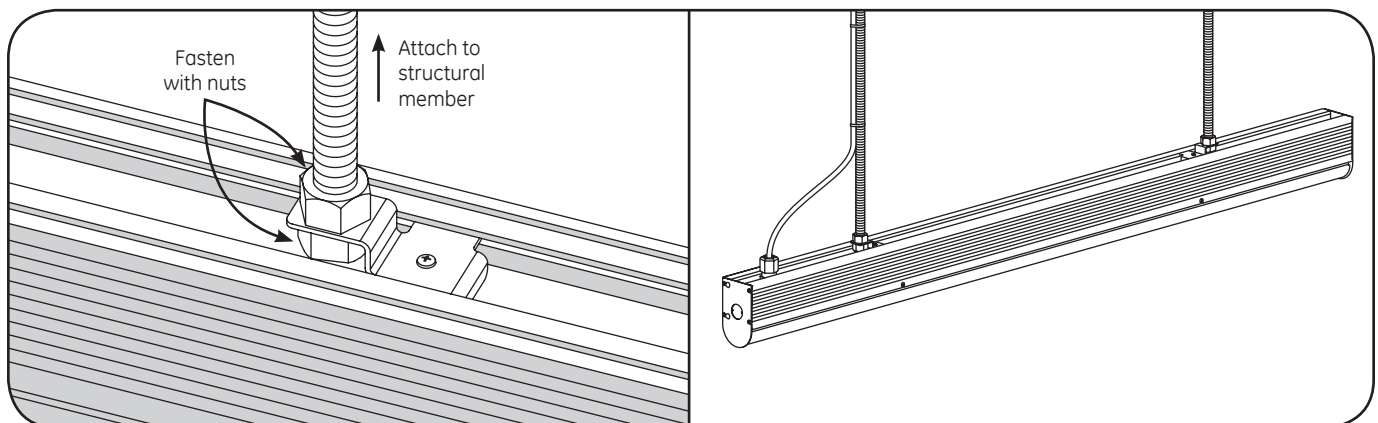


Chain or Cable Mounting



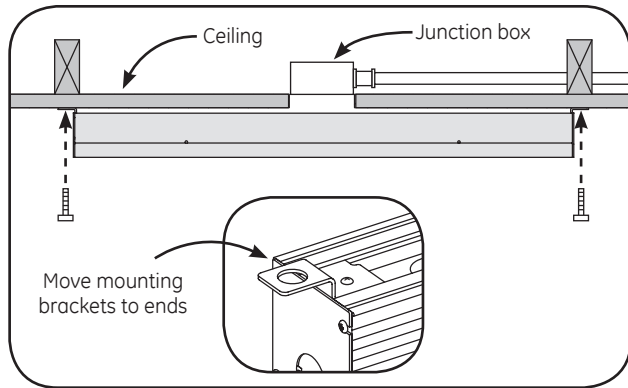
Hang two chains/cables from a structural member of the ceiling. Fixture must be supported independently of an outlet box. Loop chain/cable through the two mounting brackets.

Rod Mounting

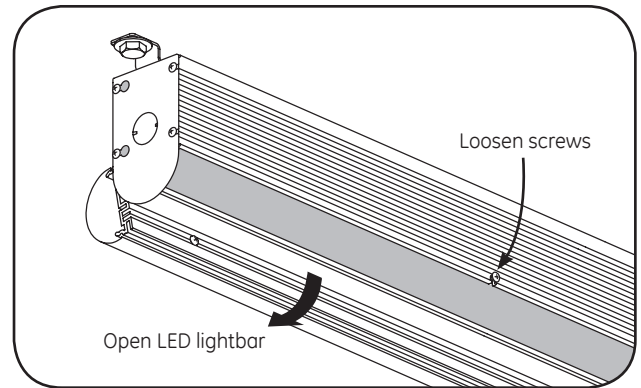


Secure two 1/2" threaded rods into structural members in ceiling. Place a nut on each threaded rod where fixture should hang. Slide mounting brackets onto threaded rods and tighten second nut onto rods to secure fixture.

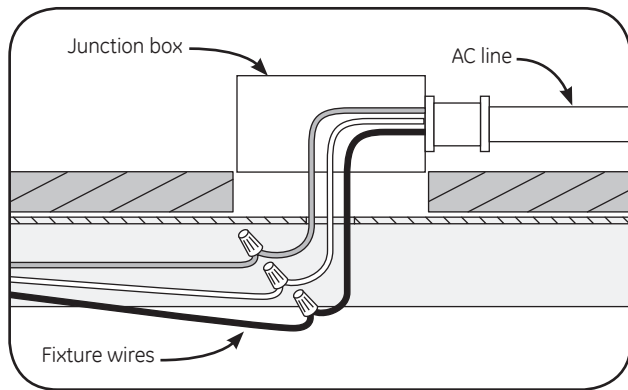
Surface Mounting



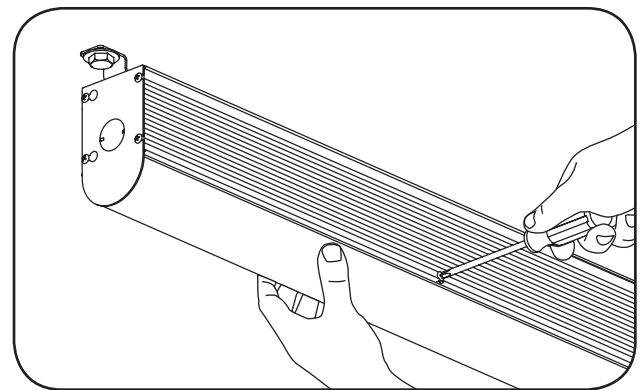
- 1 Position the two mounting brackets at the ends of the fixture and tighten. Attach the fixture to ceiling using appropriate hardware (not supplied).



- 2 Loosen screws on side of fixture and unhook LED lightbar from fixture.



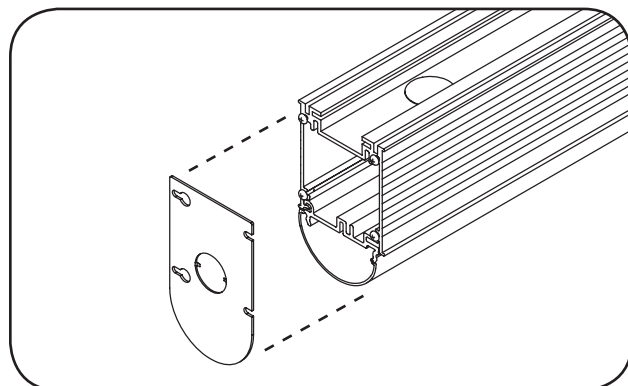
- 3 Run power through one of the 0.875" holes in top of fixture and into a junction box. Connect AC wires from junction box to fixture wires (see Step 4 under **Electrical Connections** for details).



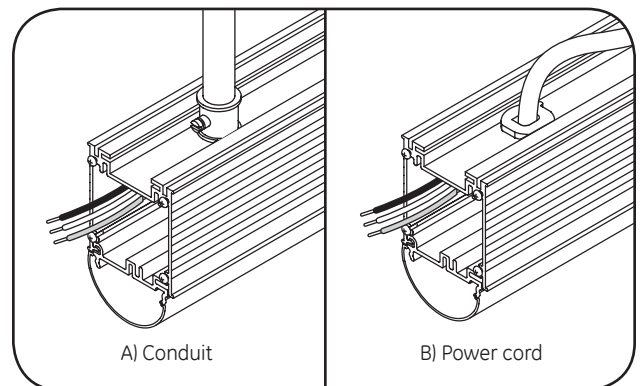
- 4 Reattach lightbar to fixture and tighten screws.

Electrical Connections

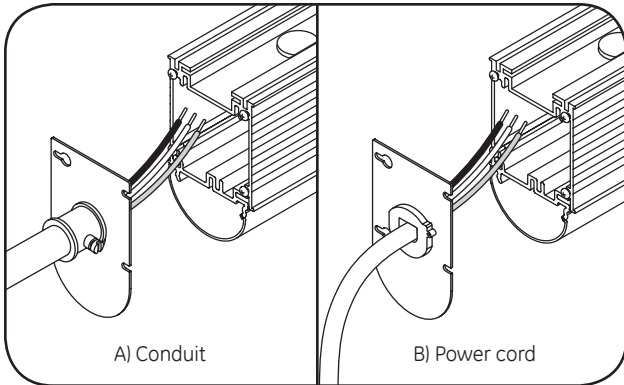
Note: Please see additional wiring instructions if installing multiple fixtures in a Continuous Run.



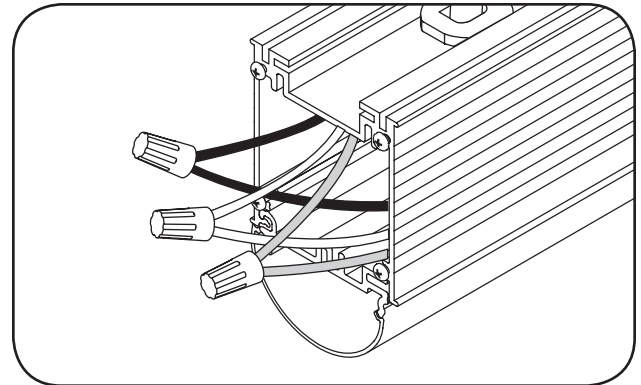
- 1 Loosen screws to remove endcap.



- 2 **Option: power input from top** – Remove knockout in top and A) install 1/2" conduit, or B) install AC power cord with strain relief.



3 Option: power input from side – Remove knockout in endcap and A) Install 1/2" conduit, or B) install AC power cord with strain relief. Plug unused hole on top with appropriate fitting.

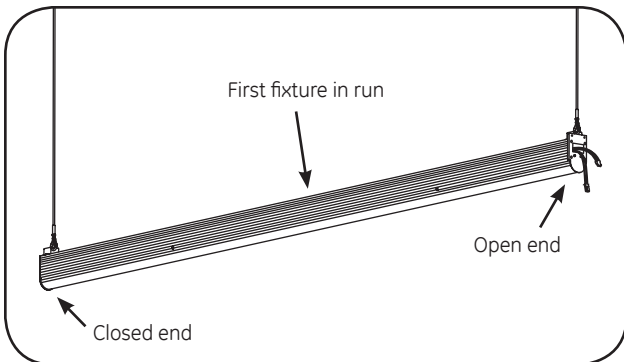


4 120-277V: Connect the green (ground), black (line) and white (neutral) wires of the AC line to the similarly colored wires of the fixture's power supply using UL listed wire connectors. Re-attach endcap.

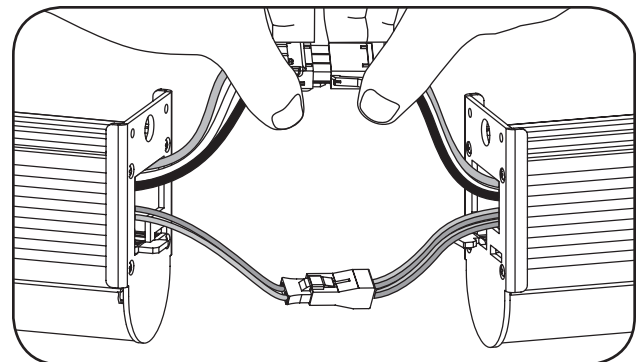
347-480V: Connect the green (ground), red (line) and black (neutral) wires of the AC line to the similarly colored wires of the fixture's power supply using UL listed wire connectors. Re-attach endcap.

Continuous Run Installation

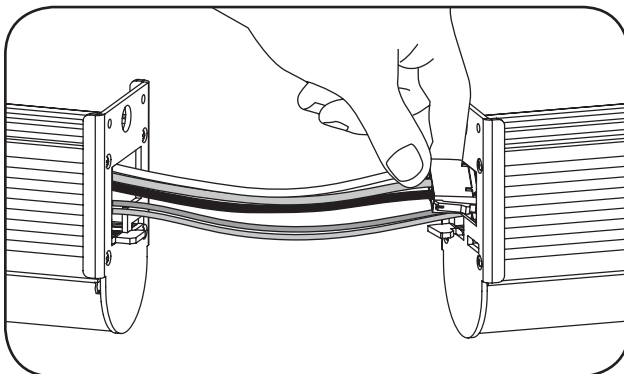
When ordered as an option, continuous run fixtures use quick-connectors and keyhole fasteners to properly wire and align the joining fixtures.



1 Completely hang the first fixture in the run. One end should be closed while the other end has quick-connect wiring. Using two people, hang the next fixture in the run, making sure to properly align quick-connectors.



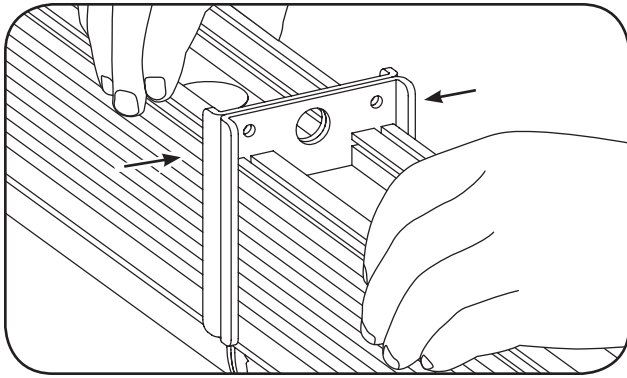
2 Make all wiring connections between fixtures using the provided quick-connectors.



3 Push the quick-connect assembly and excess wiring into the open end of one fixture end plate so only a small length of wire remains between joining fixtures.



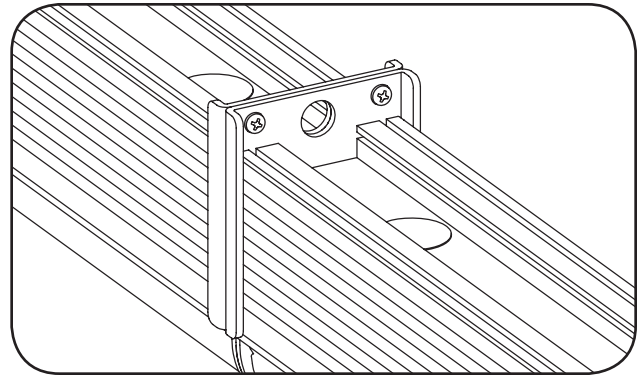
4 Align keyholes with corresponding tabs and push fixtures together.



5 Shift fixtures until keyhole tabs lock in place and fixtures are horizontally aligned.

7 Continue to add fixtures as needed to complete the continuous run.

Note: If there are unused quick-connectors at the end of a run, cut off the connectors and cap the ends with wire connectors to terminate the wires. Replace open end plate with a solid end plate.



6 Install two #8-32 screws with nuts (provided) to fasten the end plates of the joined fixtures together.

Note: The current through the continuous fixture run cannot exceed 20A. See maximum fixture run length listed below.

Output Voltage	Total Run Length (ft.)		
	T	H	V
120V	369	234	164
208V	640	406	284
277V	852	540	379
347V	1028	646	463
480V	1239	835	635

Troubleshooting

Symptom	Solution
Luminaire will not turn on	<ul style="list-style-type: none"> • Check that the color of the supply side wires match the color of the wires they are connected to. • Check that all wire connectors are properly connected. • Verify that your input voltage is within specs. • If you are using any additional controls (i.e. wireless controls or motion sensors), please also verify that those are working properly and that the unit is setup to interface with the controllers.
Mounting bracket slides from side to side	<ul style="list-style-type: none"> • Check that the mounting bracket is properly tightened using the adjustment screws provided.



GE Lighting • 1-888-MY-GE-LED (1-888-69-43-533) • www.gelighting.com

GE Lighting Solutions, LLC is a subsidiary of the General Electric Company. The GE brand, logo, and Albeo are trademarks of the General Electric Company.
© 2015 GE Lighting Solutions, LLC. Information provided is subject to change without notice. All values are design or typical values when measured under laboratory conditions.