

Refit Solutions

LED Refit Door Kit



BEFORE YOU BEGIN

Read these instructions completely and carefully.

⚠ WARNING

RISK OF FIRE OR ELECTRIC SHOCK

- Luminaires wiring and electrical parts may be damaged when drilling for installation of LED retrofit kit. Check for enclosed wiring and components.
- Do not alter, relocate, or remove wiring, lampholders, power supply, or any other electrical component.
- LED retrofit kit installation requires knowledge of luminaires electrical systems. If not qualified, do not attempt installation. Contact qualified electrician.
- Install this kit only in luminaires that have the construction features and dimensions shown in the photographs and/or drawings and where the input rating of the retrofit kit does not exceed the input rating of the luminaire.
- To prevent wiring damage or abrasion, do not expose wiring to edges of sheet metal or other sharp objects.
- Do not make or alter any open holes in an enclosure of wiring or electrical components during kit installation. Only those open holes indicated in the photographs and/or drawings may be made or altered as a result of kit installation. Do not leave any other open holes in an enclosure of wiring or electrical components.
- This product must be installed in accordance with the applicable installation code by a person familiar with the construction and operation of the product and the hazards involved.
- Suitable for dry location only.

⚠ CAUTION

RISK OF INJURY

- Door kit may fall down if not installed properly, follow installation instructions.
- This device is not intended for use with Emergency Exits.

⚠ AVERTISSEMENT

RISQUE D'INCENDIE OU D'ELECTROCUTION

- Le câblage du luminaire ainsi que ses composantes électriques peuvent être endommagés lors du perçage requis pour l'installation de l'ensemble de mise à niveau à DEL. Vérifiez le câblage et les composants.
- Ne pas altérer, relocaliser ou retirer les fils électrique, les douilles, l'alimentation ou les autre composants électrique.
- L'installation de l'ensemble de mise à niveau à DEL requiert des connaissances en système électrique d'éclairage. Si vous n'avez pas les qualifications adéquates, ne procédez pas à l'installation et contactez un électricien qualifié.
- N'installez cet ensemble de mise à niveau à DEL que sur des luminaires ayant une construction et des dimensions indiquées sur les photos et dessins et ce, seulement dans la mesure où les spécifications d'entrées de l'ensemble de mise à niveau à DEL n'excède pas les spécifications d'entrée du Luminaires dans lequel il sera installé.
- Afin de prévenir tout dommage ou abrasion aux fils électriques, évitez que ceux-ci ne viennent en contact avec les bordures métalliques ou d'autres objets pointus.
- Seules les ouvertures indiquées sur les photos et dessins peuvent être faites ou modifiées lors de l'installation de l'ensemble de mise à niveau à DEL. Ne laissez aucune ouverture dans le boîtier ou le compartiment où se trouvent les composants électriques.
- Ce produit doit être installé selon les codes en vigueur par une personne familière avec la construction et l'utilisation de ce produit et au fait des risques associés.
- Pour emplacements secs seulement.

⚠ ATTENTION

RISQUE DE BLESSURE

- L'ensemble de mise à niveau à DEL peut tomber s'il n'est pas installé correctement. Suivre les instructions d'installation.
- Cet appareil n'est pas conçu pour utilisation avec sortie de secours.



Save These Instructions

These instructions do not purport to cover all details or variations in components nor to provide for every possible contingency to be met in connection with installation, operation or maintenance. Should further information be desired or should particular problem arise which are not covered sufficiently for the purchaser's purpose, the matter should be referred to General Electric Company. GE Lighting does not claim liability for any installation not performed according to this guide or not by a qualified electrician.

Components Supplied

The components have been properly packed to avoid damage during transit. Inspect the components to confirm there is no physical damage. Do not install damaged components.

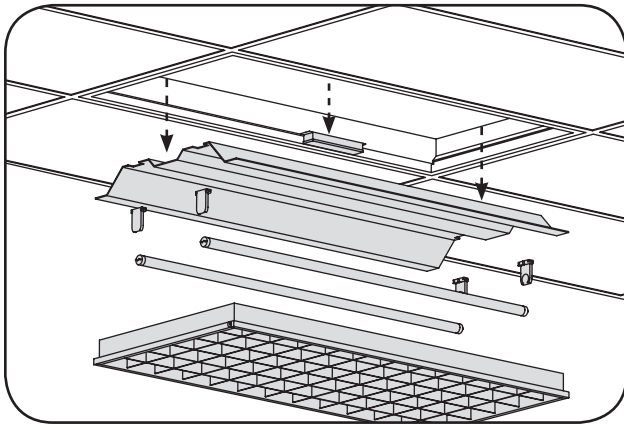
Carton 1:

- Assembled Door Frame (1)

Carton 2:

- Light Engine Panel (1)
- LED Driver with Leads and Driver Disconnects (1)
- LED Panel Bracket (2)
- #8x1/2" Self-Drilling Screw (10)
- Splice Cover (1)

Installation



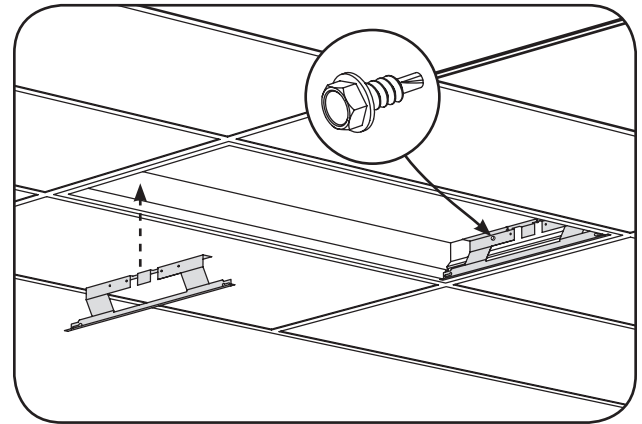
- 1** Prior to installation, disconnect all incoming power to fixture. Remove existing hardware (lens/lens frame, parabolic louver, reflectors/ballast covers, brackets, lamps/lamp holders). Leave supply and grounding leads.

NOTE: Follow all federal and local regulations when disposing of lamps and removed components.

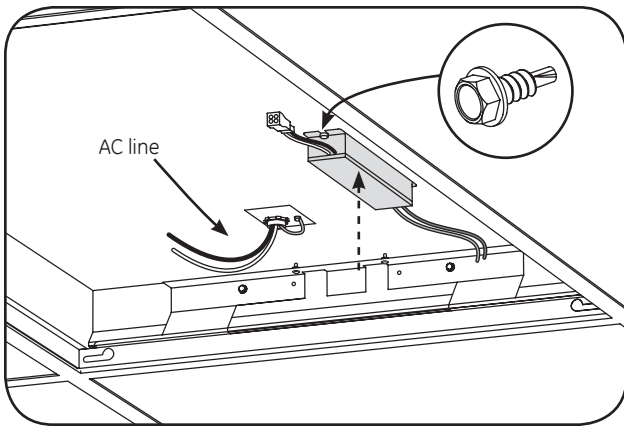
For Your Safety

Read and observe all CAUTIONS and WARNINGS shown throughout these instructions.

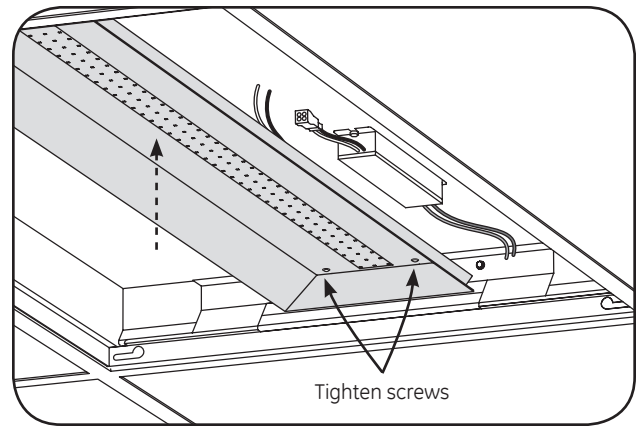
- Use this product only in the manner intended by the manufacturer. If there are any questions or concerns, contact the manufacturer.
- Suitable for "Type IC" or "Type non-IC" luminaires.



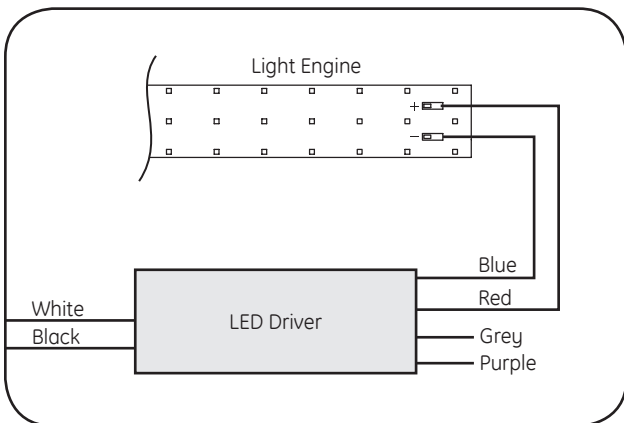
- 2** Install LED panel brackets to each end of the fixture by gently lifting recessed fixture and placing LED panel brackets between the fixture and T-grid. Secure the LED panel brackets to the fixture using the provided #8x1/2" self-drilling screws. There are two hole sets to allow for clearing fixture features that may obstruct the screws.



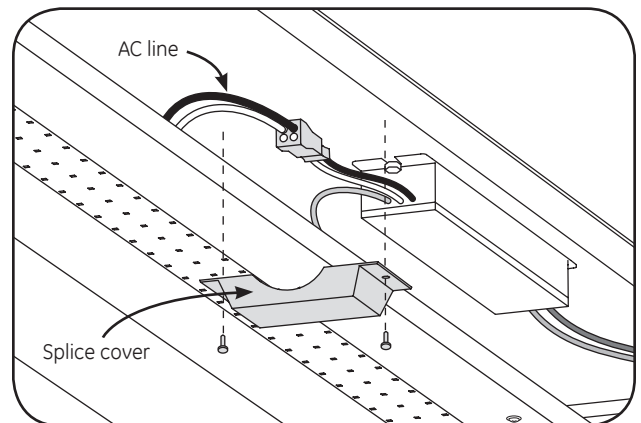
- 3** Using the provided #8x1/2" self-drilling screws, install LED driver to the troffer ceiling to one side (enough to clear the light engine panel that will be installed in the next step).



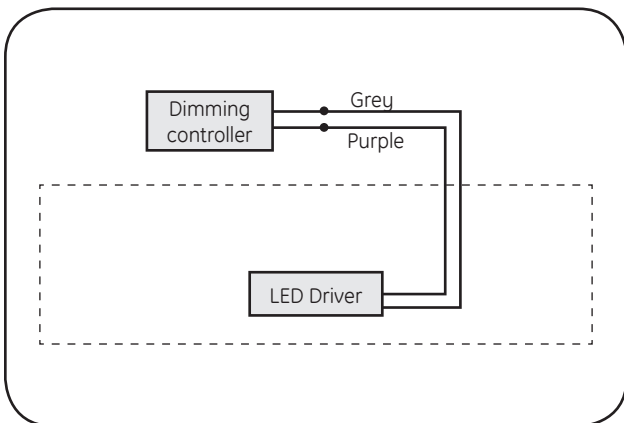
- 4** Install light engine panel to the LED panel bracket by loosening the two 4-40 screws found on each LED panel bracket. Align the slots of the light engine panel to the screw holes on the panel brackets. Once correctly oriented, secure light engine panel by tightening the screws.



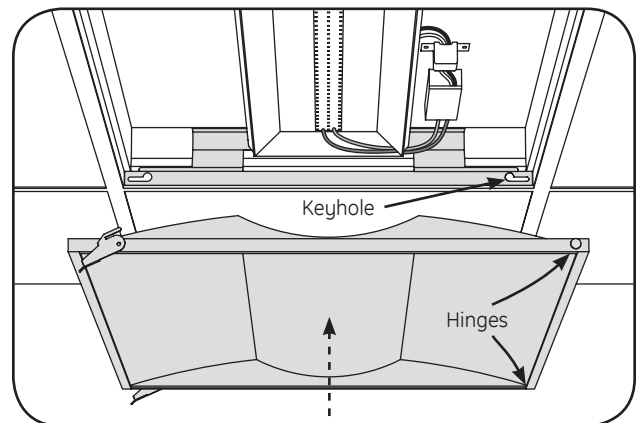
- 5** Locate the wire terminals on the LED board on the end of the light engine panel that has the wire pass grommet. Connect red driver lead to the red board lead from the positive terminal, and the blue driver lead to the blue lead from the board negative terminal.



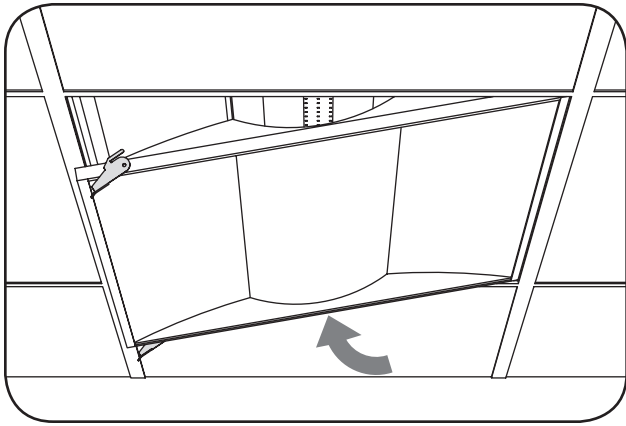
- 6** Connect the LED driver to AC line using the provided ballast disconnect. Using provided self-drilling screws, install splice cover over branch connection.



- 7 Dimming option:** Connect the grey and purple wires from the driver to the dimming controller.
NOTE: Other wires not shown for clarity.



- 8** Locate the swing door keyhole located on LED panel bracket. Install the swing door hinges into the LED panel bracket keyholes.



- 9 Secure swing door by locking latches found on each end of the assembled door frame.

Maintenance/Lamp Replacement

Contact qualified electrician for maintenance service. Order any replacement parts individually with the exact same model number. For any questions or concerns contact the manufacturer.

This device complies with Part 15 of the FCC Rules. Operation is subject to the following two conditions: (1) This device may not cause harmful interference, and (2) this device must accept any interference received, including interference that may cause undesired operation. This Class [A] RFLD complies with the Canadian standard ICES-003. Ce DEFR de la classe [A] est conforme à la NMB-003 du Canada.

Note: This equipment has been tested and found to comply with the limits for a Class A digital device, pursuant to part 15 of the FCC Rules. These limits are designed to provide reasonable protection against harmful interference when the equipment is operated in a commercial environment. This equipment generates, uses, and can radiate radio frequency energy and, if not installed and used in accordance with the instruction manual, may cause harmful interference to radio communications. Operation of this equipment in a residential area is likely to cause harmful interference in which case the user will be required to correct the interference at his own expense.



GE Lighting • www.gelighting.com

Information provided is subject to change without notice. Please verify all details with GE. All values are design or typical values when measured under laboratory conditions, and GE makes no warranty or guarantee, express or implied, that such performance will be obtained under end-use conditions. The GE brand and logo are registered trademarks of the General Electric Company © 2015.