

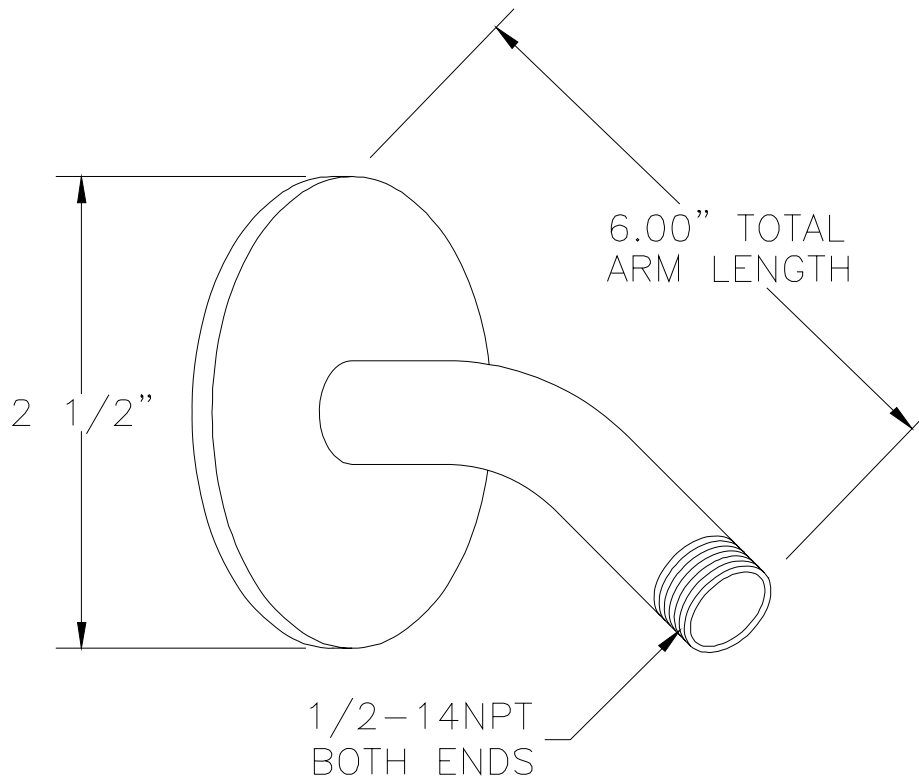


TEMP-GARD STANDARD SHOWER ARM AND WALL FLANGE

Z7000-A1

TAG _____

ENGINEERING SPECIFICATIONS: Z7000-A1 - Brass shower arm with polished nickel chrome plated surface. Flange is stamped 300 series stainless steel.



Note: All dimensions are for reference only. Do not use for pre-plumbing

OPTIONS (Check/specify appropriate options)

STANDARDS

Suffix Description

__-A2 Standard arm with chrome plated die-cast zinc wall flange

Tested to meet the following standards:
Tub spout meets CSA B125 M89



ZURN INDUSTRIES, LLC ♦ COMMERCIAL BRASS OPERATION ♦ 2640 SOUTH WORK STREET ♦ FALCONER NY 14733

Phone: 1-716-665-1132 ♦ Fax: 1-716-665-1135 ♦ World Wide Web: www.zurn.com

In Canada: ZURN INDUSTRIES LIMITED ♦ 3544 Nashua Drive ♦ Mississauga, Ontario L4V1L2 ♦ Phone: 905/405-8272 Fax: 905/405-1292