



Wall Mount Stainless Steel Sink

Model	Flow-Rate
504F	Standard 2.0 GPM
504F-0.5	Low-Flow 0.5 GPM

Product Specifications

Built to last using 16-gauge, type 304 stainless steel. Exposed surfaces have a satin finish.

Outside Dimensions	23" x 20-1/2" x 19-1/2" High
Inside Bowl Size	20" x 17" x 9" Deep
Back Splash Height	10-1/2"
Faucet Mounting Center	8"
Water Activation	Manual Faucet with 4" Handles
Flow Rate	2 GPM
Inlet Connections	1/2" Male NPT
Drain Opening	2"
Finish	Satin
Strainer	1-1/2" Dia. Duo Basket Strainer
Wall Mounting Bracket	1/4" Dia. Mounting Holes

Includes

- (1) Wall mount sink
- (1) 8" on center faucet
- (1) Faucet mounting kit
- (1) Wall-mounting bracket
- (2) Support brackets with 4 mounting bolts
- (1) Strainer assembly with basket

Product Compliance

NSF/ANSI 2 Food Equipment
 NSF/ANSI 61, Section 9
 ASME A112.18.1/CSA B125.1



Part: _____ Quantity: _____

Project: _____

Contact: _____

Date: _____

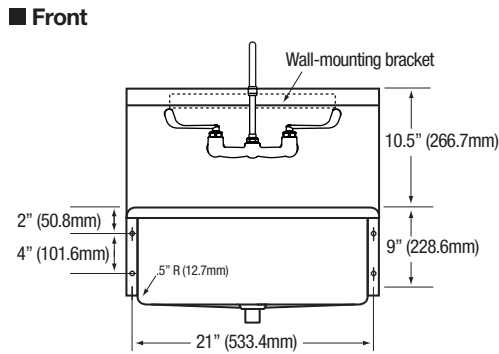
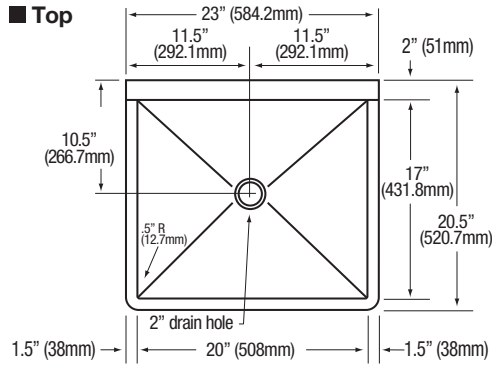
Approval: _____

Notes:

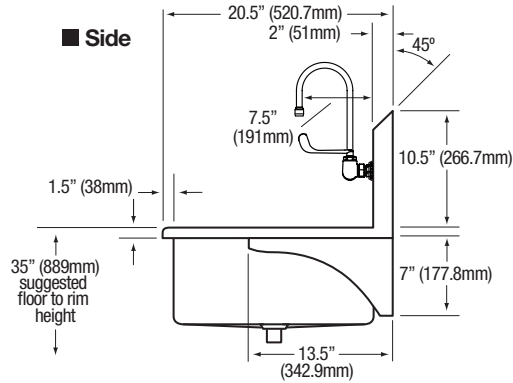
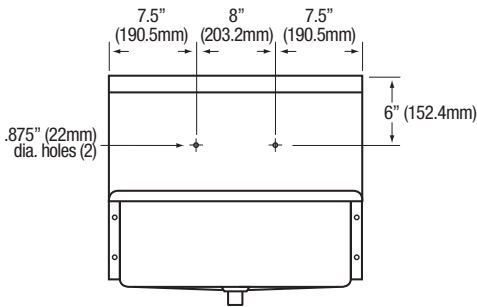


WARNING: Equipment that include faucets on this page may contain a chemical known to the State of California to cause cancer, birth defects or other reproductive harm.

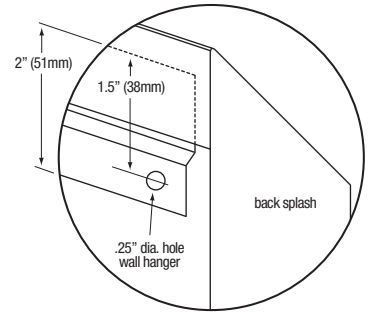
Wall Mount Stainless Steel Sink
Models 504F and 504F-0.5



■ **Hole Configurations**



■ **Wall Mounting Detail**



■ **Supply Line Detail**

