

®

**SPEEDAIRE**



## **Gravity Feed- HVLP Spray Gun**

**Models: 48PX88**



**PLEASE READ AND SAVE  
THESE INSTRUCTIONS.  
READ CAREFULLY  
BEFORE ATTEMPTING  
TO ASSEMBLE, INSTALL,  
OPERATE OR MAINTAIN THE  
PRODUCT DESCRIBED.**

**PROTECT YOURSELF AND  
OTHERS BY OBSERVING ALL  
SAFETY INFORMATION. FAILURE  
TO COMPLY WITH INSTRUCTIONS  
COULD RESULT IN PERSONAL  
INJURY AND/OR PROPERTY DAMAGE!  
RETAIN INSTRUCTIONS FOR FUTURE  
REFERENCE.**

**PLEASE REFER TO BACK COVER  
FOR INFORMATION REGARDING  
DAYTON'S WARRANTY AND OTHER  
IMPORTANT INFORMATION.**

**Model #:** \_\_\_\_\_

**Serial #:** \_\_\_\_\_

**Purch. Date:** \_\_\_\_\_

*Printed in China  
NSC100 / Version 1/ 11/ 15/2015  
© 2015 W.W. Grainger, Inc.  
All Rights Reserved*



## **BEFORE YOU BEGIN**

### **Unpack**

- After unpacking unit, inspect carefully for any damage that may have occurred during transit. Check for loose, missing, or damaged parts. Shipping damage claim must be filed with carrier.



- See General Safety Instructions on page 3.

GETTING STARTED

SAFETY /  
SPECIFICATIONS

INSTALLATION  
INSTRUCTIONS

OPERATION  
INSTRUCTIONS

TROUBLESHOOTING

MAINTENANCE /  
REPAIR PARTS



### Description

Speedaire air operated spray guns are designed to perform a variety of painting, coating and finishing applications using the power of compressed air. This gravity feed - HVLP spray gun is used to spray waterborne paints and /or solvent-based paints. It features high paint transfer efficiency with low air pressure supply, and reduces overshot and spray mist to protect environment. It is ideal for surface coating of workpiece, and for automotive refinishing and other qualified paintings as well.

### Spray Gun Terms

**Gravity Feed:** Paint in the cup is brought to the spray gun material passage through gravity.

**HVLP:** High volume low pressure.

**External Mix:** Process where the air and paint are mixed just after leaving the nozzle. This type of mix should be used for fast drying paints and when a high quality finish is needed.

**Non-Bleeder:** Air flows only when the trigger is pulled. Therefore, the operation requires an air compressor with a tank or with a large factory air system.

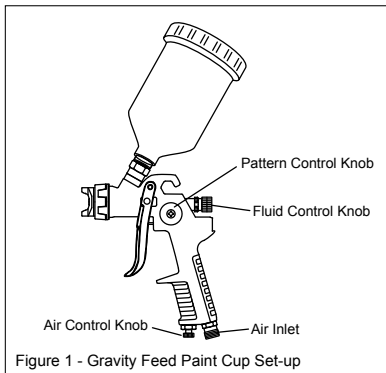
**Atomization:** Conversion of bulk paint to spray droplets (mist).

**Viscosity:** A measurement of the resistance to the flow of liquids.

**Fluid Control Knob:** The control of the amount of paint being mixed with air.

**Pattern Control Knob:** The control of forming proper shape and size of paint.

**Air Control Knob:** The control of the airflow amount for proper atomization.



### GENERAL SAFETY INFORMATION

Please read these instructions carefully before attempting to assemble, install, operate or maintain the product described. Protect yourself and others by observing all safety information. Failure to comply with instructions could result in personal injury and/or property damage. Save and retain these instructions for future reference.

- Follow all local electrical and safety codes as well as the United States National Electrical Codes (NEC) and Occupational Safety and Health Act (OSHA).
- When spraying and cleaning, always follow the manual and safety precautions provided by the material manufacturer (Refer to Material Safety Data Sheets - MSDS).

### Safety Guidelines

The safety alert symbol **▲** is used to identify safety information about hazards that can result in personal injury.

A signal word DANGER, WARNING or CAUTION is used with the alert symbol to indicate the likelihood and the potential severity of injury.

**▲ DANGER** Indicates a hazardous situation that, if not avoided, will result in death or serious injury. This signal word is to be limited to the most extreme situations.

**▲ WARNING** Indicates a hazardous situation that, if not avoided, could result in death or serious injury.

**▲ CAUTION** Indicates a hazardous situation that, if not avoided, could result in minor or moderate injury.

**NOTICE** Indicates information considered important, but not hazard-related.

**NOTE** Information that requires special attention.

### ▲ WARNING

Some dust created by power painting, sanding, sawing, grinding, drilling and other related activities contains chemicals known to the State of California to cause cancer, birth defects or other reproductive harm. A list of chemicals can be obtained from [www.oehha.ca.gov](http://www.oehha.ca.gov) under Proposition 65. Some example of these chemicals are:

- Lead from lead-based paints
- Crystalline silica from bricks, cement and other masonry products
- Arsenic and chromium from chemically-treated lumber

Users of these tools should review the chemical composition of the work surface and any products in conjunction with the operation of these tools for any such chemicals prior to engaging in any activity that creates dust and/or microscopic particles.

Users should obtain the material safety data sheets from all identified chemicals, either from the manufacturer or their employer, and proceed to study, understand, and follow all instructions and warnings for exposure to such chemicals. Your risk from these exposures varies, depending on how often you do this type of work.



To reduce your exposure to these chemicals, work in a well-ventilated area, and work with approved safety equipment, such as those dust masks that are especially designed to filter out microscopic particles.

#### ▲ WARNING

This product contains chemicals, including lead, known to the State of California, to cause birth defects and other reproductive harm. Wash hands after handling.

#### ▲ WARNING

- Improper operation or maintenance of spray guns could result in serious injury and/or property damage. Read and understand all warnings and operation instructions before using spray guns. When using spray guns, basic safety precautions should always be followed to reduce the risk of personal injury.
- The warnings and precautions discussed in this manual cannot cover all possible conditions and situations that may occur. It must be understood by the operator that common sense and caution are factors which cannot be built into this product, but must be supplied by the operator.

#### ▲ WARNING

- Keep the work area clean and well lighted. Cluttered benches and dark areas increase the risks of electric shock, fire and injury to persons.
- Keep bystanders, children and visitors away while operating the tool. Do not use this product with other people, children or pets in the work area.
- Stay alert. Watch what you are doing and use common sense when operating the tool. Do not use the tool while tired or under influence of drugs, alcohol, or medication.
- Dress properly. Do not wear loose clothing or jewelry. Keep long hair and gloves away from moving parts.
- Do not overreach. Keep proper footing and balance at all times.
- Use a face mask/respirator and wear safety goggles when spraying. Always spray in a well-ventilated area to prevent health and fire hazards. Refer to Material Safety Data (MSDS) of spray materials for details.
- Never use oxygen, carbon dioxide, combustible gases or any bottled gas as an air source for the tool. Use only clean, dry, regulated compressed air at the rated pressure or within the rated pressure ranges for best spray gun performance and extend spray gun life.
- Do not aim the spray gun at any dust or debris to avoid any damage to workpiece.
- Do not operate the tool if it is damaged during shipping, handling or use. Damage could result in bursting and cause injury and/or property damage.
- Do not spray acids, corrosive materials, toxic chemicals, fertilizers or pesticides. Using these materials could result in death or serious injury.
- Never aim or spray at yourself or anyone else, which could result in serious injury.
- Do not use pressure exceeding the operating pressure of any of the parts (hoses, fittings, etc.) in the painting system.



- Do not smoke in or near the work area. Always keep a fire extinguisher present in the work area.
- During cleaning and flushing, solvents can be forcefully expelled from liquid and air passages which could cause eye injury. Be sure that all others in the area are wearing impact resistance eye and face protection. Even small objects can injure eyes and cause blindness.
- Paints and solvents may be harmful or fatal if swallowed or inhaled. Avoid prolonged skin contact with solvents or paints as they will irritate skin. After any contact, immediately wash off exposed area with hot, soapy water.
- Always shut off air supply, drain hose of air pressure and disconnect air supply when not in use, before changing accessories or when making repairs. Turn off and detach the air supply, safely discharge any residual air pressure, and release the throttle and/or turn the switch to its off position before leaving the work area.

#### ▲ DANGER

- Never spray flammable materials in vicinity of open flame or near ignition sources. Never store flammable liquids or gases near air compressor.
- Never spray closer than 25 feet to the air compressor. If possible, locate the air compressor in a separate room.

#### ▲ CAUTION

- Keep hose away from sharp objects. Bursting air hose could result in personal injury. Examine air hoses regularly and replace them if damaged or broken.
- Check for misalignment or binding of moving parts, breakage of parts, and any other condition that affects the tool's operation. If damaged, have the tool serviced before using.
- Always use spray gun at a safe distance from other people in the work area.
- **Clean the spray gun IMMEDIATELY after each use. Delayed or inadequate cleaning will permanently clog the spray gun.**
- Maintain spray guns with care. Keep spray guns clean and oiled for best and safest performance.

#### NOTICE

- The pressure for atomization is controlled by the regulator on the air source. The amount of fluid is adjusted by the fluid control knob, the paint viscosity, and the air pressure.
- Failure to install appropriate water/oil removal equipment could result in damage to the product or workpiece.
- Always use a pressure regulator on the air supply to the spray gun.
- To avoid cross-threading, all spray gun parts should be screwed in hand tight initially. If the parts cannot easily be turned by hand, be sure that you have the correct parts, unscrew, realign, and try again. Never use excessive force in matching parts.
- Use only accessories identified by the manufacturer for the specific tool model.
- When servicing a tool, use only identical replacement parts and/or authorized parts.
- Use only lubricants supplied with the tool or specified by the manufacturer.
- Store the tool out of reach of children and other untrained persons when it is idle.



## SPECIFICATIONS

Model	Feed Type	Mix Type	Fluid Nozzle	Operation Pressure	Avg. Air Consumption	Air Inlet
48PX88	Pressure Feed	External	1.4 mm	30 - 50 PSI (2.1 - 3.5 BAR)	4.9 CFM	1/4"-18 NPS

## INSTALLATION INSTRUCTIONS

1. Take out the spray gun and install the paint filter into the fluid passage of the spray gun. Thread the paint cup into the spray gun until the cup is securely in place. (See Figure 2)
2. Open the paint cup lid, fill the paint cup about 3/4 full, and replace the paint cup lid.
3. Connect air supply hose to the air inlet of the spray gun. Use thread sealant tape (not included) for airtight connection. Do not overtighten. (See Figure 3)
4. Start the air compressor and set the operating air pressure to 30 - 50 PSI (2.1 - 3.5 BAR) depending on the amount of fluid and atomization required. **DO NOT** exceed spray gun maximum pressure of 50 PSI (3.5 BAR).  
**NOTE:** Working pressure refers to the air line pressure set to the spray gun when the spray gun trigger is pulled fully under working conditions.

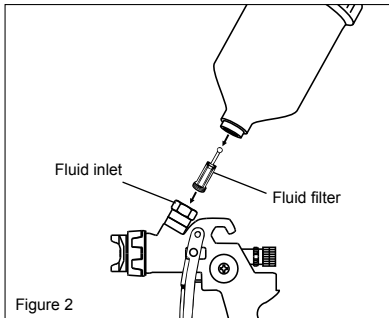


Figure 2

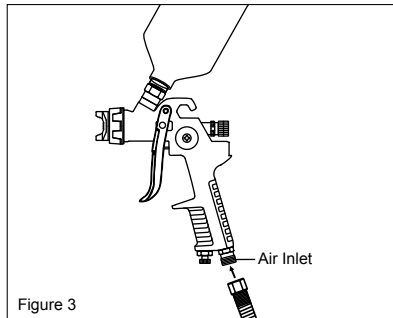


Figure 3

## OPERATION INSTRUCTIONS

- For best performance, before first use and/or each use, clean the spray gun using a solvent-based thinner and then spray a compatible thinner or solvent through the gun to remove any possible contaminants and residues.
  - Properly thin the desired paints by following the paint manufacturer's directions before spraying. If necessary, carefully strain the paint through a paint strainer or a piece of cheesecloth.
  - Set up a piece of cardboard or other scrap material to use as a target and adjust for best spray gun atomization and pattern.
  - Test the consistency of the paint by making a few strokes on a cardboard target. If paint still appears too thick, add a small amount of thinner and mix thoroughly. Do not exceed paint manufacturer's thinning recommendations.
1. Adjust the directions of the air cap to be either horizontal or vertical as required by loosening the air cap ring 90 degrees with hand. Hand tighten the air cap ring after

6



adjustment. (See Figure 4)

**NOTE:** During normal use, the air cap is adjusted to be horizontal. This provides a vertical fan-shaped pattern which gives maximum and even material coverage as the gun is moved back and forth parallel to the surface being finished.

2. Turn the fluid control knob fully clockwise until closed. (See Figure 5)

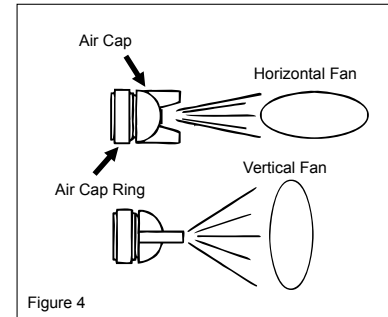


Figure 4

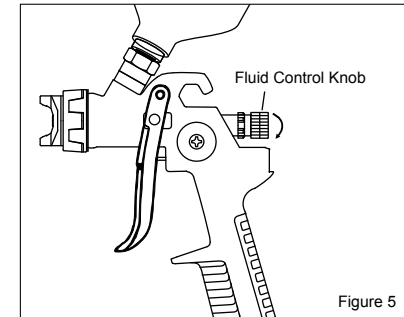


Figure 5

3. Holding the spray gun 6-9" away from the workpiece depending on the flow adjustment, atomizing pressure and the paint, slowly squeeze the trigger and spray a short burst while turning the fluid control knob counterclockwise and adjusting the air control knob and pattern control knob either clockwise or counterclockwise until the desired pattern/atomization is obtained.

**NOTE:** If the spray is too fine, which is caused by too much air from amount of paint being sprayed, reduce the air pressure or open the fluid control knob more to spray more paint. If the spray is too coarse or spitting blobs, reduce the amount of paint with the fluid control knob or thin the paint more. (See Figure 6)

**NOTE:** The fluid control knob and the air control knob can be adjusted either clockwise or counterclockwise to finely adjust the pattern consistency. Before spraying on the workpiece, practice a few minutes on a cardboard target and make sure that the pattern size and consistency are set correctly.

**NOTE:** The pattern control knob can be adjusted either clockwise or counterclockwise to get the required pattern shape and size. To get a round pattern shape, turn the pattern control knob counterclockwise to the upmost. To get a fan pattern shape, gradually turn the pattern control knob clockwise. (See Figure 7)

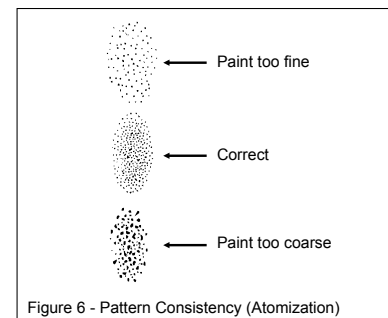


Figure 6 - Pattern Consistency (Atomization)

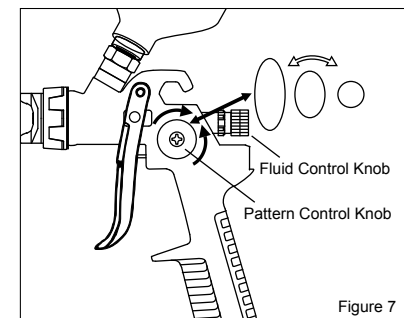


Figure 7

7

4. Keep the spray gun at the right angle of 90 degree to the surface being covered and maintain an even, steady distance and speed. (See Figure 8)

**NOTE:** Always keep the spray gun moving parallel to the surface being covered while spraying. Stopping gun movement in mid-stroke will cause a build-up of paint and will result in runs. Do not fan the gun from side to side while painting, as this will cause a build-up of paint in the center of stroke and an insufficient coating at each end. (See Figure 9)

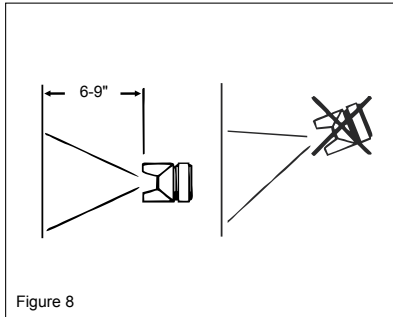


Figure 8

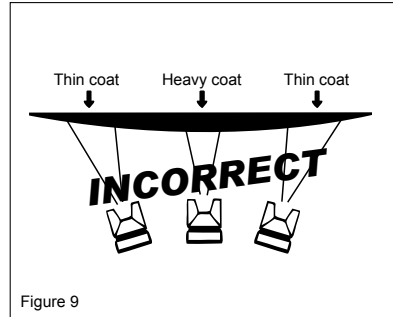


Figure 9

5. Trigger the gun properly. Start the gun moving at the beginning of the stroke before squeezing the trigger and release the trigger before stopping gun movement at the end of stroke. This procedure will feather/blend each stroke with the next without showing overlap or unevenness. (See Figure 10)

**NOTE:** The amount of paint being applied can be varied by the speed of stroke, distance from the workpiece and adjustment of the fluid control knob. If speed of stroke is too slow, paint will be wet on the workpiece and may run. If speed of stroke is too fast, paint will be dry and/or uneven on the workpiece.

6. Overlap strokes just enough to obtain an even and fine coat on the workpiece. (See Figure 11)

**NOTE:** Two thin coats of paint will yield better spraying results and have less chance of runs than one heavy layer.

**NOTE:** Use a piece of cardboard as a shield to catch overspray at the edges of workpiece and protect other surfaces and/or nearby objects not being sprayed. Use masking tape to cover areas if needed.

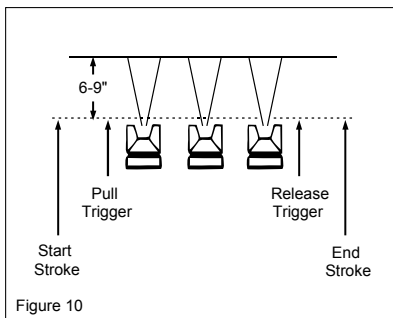


Figure 10

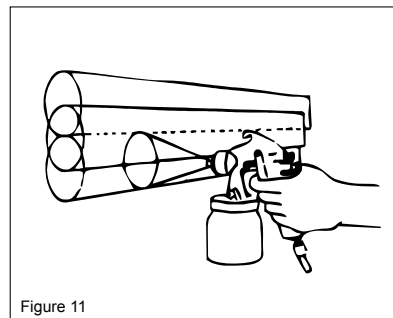


Figure 11

## TROUBLESHOOTING

Problem	Possible Cause	Corrective Action
 Right or left heavy spray pattern	One side of nozzle is clogged.	Soak nozzle in solvent to loosen clog, then blow air through until clean. To clean orifices use a broom straw or toothpick. Never try to detach dried material with sharp tool.
 Top or bottom heavy spray pattern	a) Loose air nozzle. b) Material around outside of air nozzle has dried.	a) Trigger air nozzle. b) Take off air nozzle and wipe off fluid tip, using a rag moistened with thinner.
 Split spray pattern	a) Atomization air pressure is set too high. b) Trying to spray a thin material in too wide a pattern.	a) Reduce air pressure. b) Increase material control by turning fluid adjustment knob to left, while reducing spray width by turning spray pattern adjustment knob to right.
 Intermittent spray	a) Packing around needle valve is dried out. b) Fluid nozzle loosely installed, or dirt between nozzle and body. c) Needle sealing damaged.	a) Back up knurled nut, put a few drops of machine oil on packing, retighten nut. b) Take off fluid nozzle, clean rear of nozzle and seat in gun body. Replace nozzle and bring in tight to body. c) Replace seal.
 Improper spray pattern	a) Gun improperly adjusted. b) Dirty air cap. c) Fluid tip obstructed. d) Sluggish needle.	a) Re-adjust gun. Follow instructions carefully. b) Clean air cap. c) Clean. d) Lubricate.
 Unable to get round spray	Fan adjustment screw not seating properly.	Clean or replace.
 Will not spray	a) No air pressure at gun. b) Fluid pressure too low with internal mix cap and pressure tank. c) Fluid control screw not open enough. d) Fluid too heavy for suction feed.	a) Check air supply and air lines. b) Increase fluid pressure at tank. c) Open fluid control screw. d) Thin material or change to pressure feed.
 Fluid leakage from packing nut	a) Packing nut loose. b) Packing worn or dry.	a) Tighten, but not so tight as to grip needle. b) Replace packing or lubricate.
 Dripping from fluid tip	a) Dry packing. b) Sluggish needle. c) Tight packing nut. d) Worn fluid nozzle or needle.	a) Lubricate. b) Lubricate. c) Adjust. d) For pressure feed, replace with new fluid nozzle and needle.
 Thin, sandy coarse finish	a) Gun held too far from surface. b) Atomization pressure set too high.	a) Gun held too far from surface. b) Atomization pressure set too high.
 Thick, dimpled finish resembling orange peel	Gun held too close to surface.	Move gun further from surface.



## CARE AND MAINTENANCE

### Daily Clean-Up

Local codes may require specific cleaning methods and equipment. Follow local codes and manufacturer's recommendations for the use and disposal of spray paints and solvent.

**NOTE:** Clean spray gun immediately after use. Paint and other materials dry quickly in the small passages rendering gun useless due to the difficulty of removing hardened paint from the passages inside the gun.

1. Remove and empty paint cup; then rinse with a solvent recommended for the paint.
2. Refill paint cup with clean solvent and attach to the gun. Spray solvent through the gun while shaking the gun vigorously. Wipe the gun exterior with a solvent-soaked rag. Repeat until the gun is clean.
3. Disconnect the spray gun from air supply. After disconnecting, point the spray gun into the spent solvent container and squeeze the trigger again to make sure that no air remains.
4. Remove the air cap and soak in solvent until clean. Use a small brush for stubborn stains if necessary. Cleaning needle, toothpicks or small brushes may be used to clean air passages.

**▲ WARNING** Never use metal objects to clean precisely drilled passages. Damaged passages will cause improper spraying.

5. Clean gaskets with a solvent soaked rag.

**▲ WARNING** Never immerse gaskets or spray gun body in solvents to prevent equipment damage.

6. After using water to clean out spray gun, spray mineral spirits through the gun to prevent corrosion.
7. Clean and flush gun thoroughly to neutralize any contaminants corrosive to the spray gun.
8. Use a non-silicone oil on all moving parts when reassembling. Use Vaseline® or light grease on all threaded connections prior to storage.

### Periodic Clean-Up

Due to improper cleaning and paint it may be necessary to inspect and clean the internal parts and the gun body.

1. Examine openings in air cap and fluid tip. If clogged, remove any o-rings and soak the air cap or fluid tip in solvent.
2. Cleaning needle, a brush, toothpick or something similar may be used to dislodge the dried paint from holes and passages.

**▲ WARNING** Never use metal objects to clean precisely drilled passages. Damaged passages will cause improper spraying.



3. Remove and check fluid needle for excessive wear at the tip and straightness.  
**NOTE:** If the needle tip is worn more on one side than the other, either the needle is bent or the gun body has been dropped or knocked out-of-line. There are no adjustments that can be made to a bent gun body. Test the needle by rolling on a flat surface. Replace if necessary.
4. Check and replace any damaged o-rings and seals. O-rings and seals can be wiped clean but not soaked in solvent.
5. Unscrew packing nuts and replace the packing only if a leak will not stop when the nut is tightened. Do not overtighten a packing nut because this will restrict movement of the needle.
6. Re-assemble in reverse order of above and use a non-silicone oil on moving parts. Apply Vaseline® or light grease on threaded joints and hose connections.

### Storing

1. When not using spray gun, turn the fluid adjustment knob counterclockwise to open which will reduce spring tension on needle fluid tip.
2. Spray gun must be well cleaned and lightly lubricated.
3. Store spray gun in a dry and safe place out of reach of children.

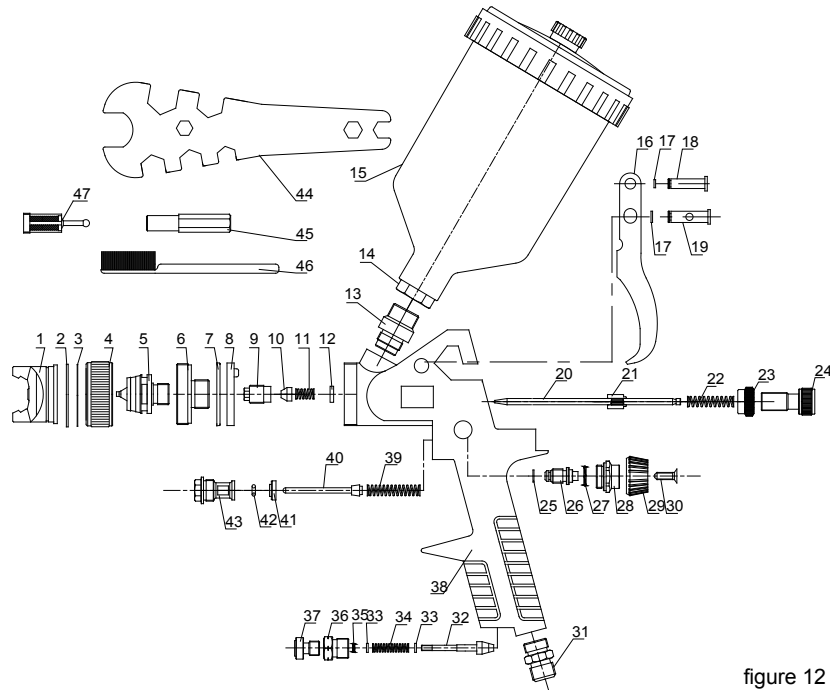
**REPAIR PARTS ILLUSTRATION FOR 48PX88**

figure 12

**For Repair Parts, call 1-800-323-0620**  
**24 hours a day – 365 days a year**

Please provide following information:

- Model number
- Serial number (if any)
- Part description and number as shown in parts list

**REPAIR PARTS ILLUSTRATION FOR 48PX88**

Ref. No.	Parts Description	Part Available	Qty.	Ref. No.	Parts Description	Part Available	Qty.
1	Air cap	*	1	25	Snap retainer		1
2	Cap retainer	*	1	26	Pattern adjustment valve		1
3	Gasket	*	1	27	O-ring		1
4	Air cap ring	*	1	28	Pattern adjustment base		1
5	Fluid nozzle	*	1	29	Pattern control knob		1
6	Nozzle seat		1	30	Screw		1
7	Gasket		1	31	Air inlet		1
8	Air diversion ring		1	32	Air adjustment valve		1
9	Needle screw		1	33	Cushion		2
10	Needle packing		1	34	Spring		1
11	Spring		1	35	O-ring		1
12	Gasket		1	36	Valve base		1
13	Fluid inlet nipple		1	37	Air control knob		1
14	Fluid outlet nipple		1	38	Gun body		1
15	Paint cup		1	39	Spring		1
16	Trigger		1	40	Pattern adjustment needle		1
17	Snap retainer		2	41	Seal ring		1
18	Bolt		1	42	O-ring		1
19	Bolt		1	43	Needle sleeve		1
20	Fluid needle	*	1	44	Wrench		1
21	Needle seat	*	1	45	Auxiliary wrench		1
22	Spring		1	46	Cleaning brush		1
23	Needle base		1	47	Paint filter		1
24	Fluid control knob		1				



## **SPEEDAIRE ONE-YEAR LIMITED WARRANTY**

**SPEEDAIRE ONE-YEAR LIMITED WARRANTY.** All Speedaire® product models covered in this manual are warranted by Dayton Electric Mfg. Co. ("Dayton") to the original user against defects in workmanship or materials under normal use for one year after date of purchase. If the Speedaire Product is part of a set, only the portion that is defective is subject to this warranty. Any product or part which is determined to be defective in material or workmanship and returned to an authorized service location, as Dayton or Dayton's designee designates, shipping costs prepaid, will be, as the exclusive remedy, repaired or replaced with a new or reconditioned product or part of equal utility or a full refund given, at Dayton's or Dayton's designee's option, at no charge. For limited warranty claim procedures, see "Warranty Service" below. This warranty is void if there is evidence of misuse, mis-repair, mis-installation, abuse or alteration. This warranty does not cover normal wear and tear of Speedaire Products or portions of them, or products or portions of them which are consumable in normal use. This limited warranty gives purchasers specific legal rights, and you may also have other rights which vary from jurisdiction to jurisdiction.

**WARRANTY DISCLAIMERS AND LIMITATIONS OF LIABILITY RELATING TO ALL CUSTOMERS FOR ALL PRODUCTS LIMITATION OF LIABILITY.** TO THE EXTENT ALLOWABLE UNDER APPLICABLE LAW, DAYTON'S LIABILITY FOR CONSEQUENTIAL AND INCIDENTAL DAMAGES IS EXPRESSLY DISCLAIMED. DAYTON'S LIABILITY IN ALL EVENTS IS LIMITED TO AND SHALL NOT EXCEED THE PURCHASE PRICE PAID.

**WARRANTY DISCLAIMER.** A DILIGENT EFFORT HAS BEEN MADE TO PROVIDE PRODUCT INFORMATION AND ILLUSTRATE THE SPEEDAIRE PRODUCTS IN THIS LITERATURE ACCURATELY; HOWEVER, SUCH INFORMATION AND ILLUSTRATIONS ARE FOR THE SOLE PURPOSE OF IDENTIFICATION, AND DO NOT EXPRESS OR IMPLY A WARRANTY THAT THE SPEEDAIRE PRODUCTS ARE MERCHANTABILITY, OR FIT FOR A PARTICULAR PURPOSE, OR THAT THE SPEEDAIRE PRODUCTS WILL NECESSARILY CONFORM TO THE ILLUSTRATIONS OR DESCRIPTIONS. EXCEPT AS PROVIDED BELOW, NO WARRANTY OR AFFIRMATION OF FACT, EXPRESSED OR IMPLIED, OTHER THAN AS STATED IN THE "LIMITED WARRANTY" ABOVE IS MADE OR AUTHORIZED BY DAYTON.

**PRODUCT SUITABILITY.** MANY JURISDICTIONS HAVE CODES AND REGULATIONS GOVERNING SALES, CONSTRUCTION, INSTALLATION, AND/OR USE OF PRODUCTS FOR CERTAIN PURPOSES, WHICH MAY VARY FROM THOSE IN NEIGHBORING AREAS. WHILE ATTEMPTS ARE MADE TO ASSURE THAT SPEEDAIRE PRODUCTS COMPLY WITH SUCH CODES, DAYTON CANNOT GUARANTEE COMPLIANCE, AND CANNOT BE RESPONSIBLE FOR HOW THE PRODUCT IS INSTALLED OR USED. BEFORE PURCHASE AND USE OF A PRODUCT, REVIEW THE SAFETY/ SPECIFICATIONS, AND ALL APPLICABLE NATIONAL AND LOCAL CODES AND REGULATIONS, AND BE SURE THAT THE SPEEDAIRE PRODUCT, INSTALLATION, AND USE WILL COMPLY WITH THEM.

**CONSUMERS ONLY.** CERTAIN ASPECTS OF DISCLAIMERS ARE NOT APPLICABLE TO CONSUMER PRODUCTS SOLD TO CONSUMERS; (A) SOME JURISDICTIONS DO NOT ALLOW THE EXCLUSION OR LIMITATION OF INCIDENTAL OR CONSEQUENTIAL DAMAGES, SO THE ABOVE LIMITATION OR EXCLUSION MAY NOT APPLY TO YOU; (B) ALSO, SOME JURISDICTIONS DO NOT ALLOW A LIMITATION ON HOW LONG AN IMPLIED WARRANTY LASTS, SO THE ABOVE LIMITATION MAY NOT APPLY TO YOU; AND (C) BY LAW, DURING THE PERIOD OF THIS LIMITED WARRANTY, ANY IMPLIED WARRANTIES OF MERCHANTABILITY OR FITNESS FOR A PARTICULAR PURPOSE APPLICABLE TO CONSUMER PRODUCTS PURCHASED BY CONSUMERS, MAY NOT BE EXCLUDED OR OTHERWISE DISCLAIMED.

THIS LIMITED WARRANTY ONLY APPLIES TO SPEEDAIRE PRODUCTS PURCHASED BY UNITED STATES PURCHASERS FOR DELIVERY IN THE UNITED STATES.

### **WARRANTY SERVICE**

To obtain warranty service if you purchased the covered product directly from W.W. Grainger, Inc. ("Grainger"), (i) write or call or visit the local Grainger branch from which the product was purchased or another Grainger branch near you (see [www.grainger.com](http://www.grainger.com) for a listing of Grainger branches); or (ii) contact Grainger by going to [www.grainger.com](http://www.grainger.com) and clicking on the "Contact Us" link at the top of the page, then clicking on the "Email us" link; or (iii) call Customer Care (toll free) at 1-888-361-8649. To obtain warranty service if you purchased the covered product from another distributor or retailer, (i) go to [www.grainger.com](http://www.grainger.com) for Warranty Service; (ii) write or call or visit a Grainger branch near you; or (iii) call Customer Care (toll free) at 1-888-361-8649. In any case, you will need to provide, to the extent available, the purchase date, the original invoice number, the stock number, a description of the defect and anything else specified in this Speedaire One-Year Limited Warranty. You may be required to send the product in for inspection at your cost. You can follow up on the progress of inspections and corrections in the same ways. Title and risk of loss pass to buyer on delivery to common carrier, so if product was damaged in transit to you, file claim with carrier, not the retailer, Grainger or Dayton. For warranty information for purchasers and/or delivery outside the United States, please contact:

**Dayton Electric Mfg. Co.,  
100 Grainger Parkway, Lake Forest, IL 60045 U.S.A.  
or call +1-888-361-8649**

®

**SPEEDAIRE**



## **Alimentación de Gravedad - HVLP Pistola rociadora**

**Modelos: 48PX88**



**POR FAVOR LEA Y GUARDE ESTAS INSTRUCCIONES. LEA ATENTAMENTE ANTES DE INTENTAR ARMAR, INSTALAR, OPERAR O MANTENER EL PRODUCTO DESCRITO.**

**PROTEGERSE Y OTROS OBSERVANDO TODA LA INFORMACIÓN DE SEGURIDAD. NO CUMPLIR CON LAS INSTRUCCIONES PUEDE RESULTAR EN LESIONES PERSONALES Y / O DAÑOS A LA PROPIEDAD! GUARDE LAS INSTRUCCIONES PARA FUTURA REFERENCIA.**

**CONSULTE EN LA CONTRAPORTADA LA INFORMACIÓN SOBRE LA GARANTÍA DE DAYTON Y OTRA INFORMACIÓN IMPORTANTE.**

**Modelo #:** \_\_\_\_\_

**Serie #:** \_\_\_\_\_

**Fecha de compra:** \_\_\_\_\_

*Impreso en China  
NSC100 / Versión 1/ 11/ 15/2015  
© 2015 W.W. Grainger, Inc.  
Todos los derechos reservados*



## **ANTES DE QUE EMPIECES**

### **Desembalaje**

- Después de desempacar la unidad, inspeccione cuidadosamente por cualquier daño que pueda haber ocurrido durante el transporte. Compruebe si hay piezas sueltas, faltantes o dañados. Reclamación por daños de envío debe ser presentada con el portador.



- **Vea las instrucciones generales de seguridad en la página 3.**

**EMPEZANDO**

**SEGURIDAD /  
ESPECIFICACIONES**

**INSTRUCCIONES DE  
INSTALACIÓN**

**INSTRUCCIONES DE  
OPERACIÓN**

**SOLUCIÓN DE  
PROBLEMA**

**MANTENIMIENTO /  
PIEZAS DE  
REPARACIÓN**

**Descripción**

Speedaire operado por aire pistolas de pulverización están diseñados para llevar a cabo una variedad de pintura, revestimiento y aplicaciones de acabado utilizando el poder de aire comprimido. Esta alimentación de gravedad - pistola de pulverización HVLP se utiliza para pulverizar pinturas al agua y / o pinturas a base de disolventes. Se caracteriza por su alta eficiencia de transferencia de pintura con alimentación de baja presión de aire, y se reduce el sobreimpulso y la niebla de pulverización para proteger el medio ambiente. Es ideal para el revestimiento de la superficie de la pieza de trabajo, y para el repintado de automóviles y otros cuadros calificados también.

**Terminos de Pistola Rociadora**

**alimentación de gravedad:** Pintura en la taza es llevado al paso de material pistola de pulverización a través de la gravedad.

**HVLP:** alto volumen y baja presión.

**Mix externo:** Proceso en el que el aire y la pintura se mezclan justo después de salir de la boquilla. Este tipo de mezcla se debe utilizar para pinturas de secado rápido y cuando se necesita un acabado de alta calidad.

**no sangrador:** El aire fluye sólo cuando se aprieta el gatillo. Por lo tanto, la operación requiere un compresor de aire con el depósito o con un sistema de aire de la fábrica grande.

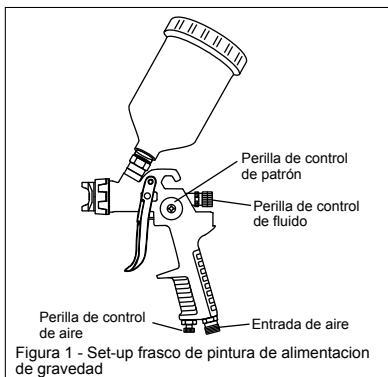
**atomización:** Conversión de pintura a granel para pulverizar gotas (niebla).

**Viscosidad:** Una medida de la resistencia al flujo de líquidos.

**Perilla de control de fluidos:** El control de la cantidad de pintura que se mezcla con el aire.

**Perilla de control del patrón:** El control de la formación de la forma y tamaño de la pintura adecuada.

**Perilla de control de aire:** El control de la cantidad de flujo de aire para la atomización apropiada.

**INFORMACIÓN GENERAL DE SEGURIDAD**

Por favor, lea atentamente estas instrucciones antes de intentar montar, instalar, operar o mantener el producto descrito. Protegerse a sí mismo ya los demás observando toda la información de seguridad. El incumplimiento de las instrucciones podría resultar en lesiones personales y / o daños materiales. Guardar y conservar estas instrucciones para futuras consultas.

- Siga todos los códigos eléctricos y de seguridad locales, así como los Códigos de Estados Unidos Eléctrico Nacional (NEC) y la seguridad y la Ley de Salud (OSHA).
- Cuando la pulverización y limpieza, siga siempre las precauciones de seguridad manuales y proporcionadas por el fabricante del material (véanse las Hojas de Seguridad de Materiales - MSDS).

**Directrices de seguridad**

El símbolo de alerta de seguridad **▲** se utiliza para identificar la información de seguridad sobre peligros que pueden causar lesiones personales.

Una palabra PELIGRO, ADVERTENCIA o PRECAUCIÓN se utiliza con el símbolo de alerta para indicar la probabilidad y la severidad potencial de lesión.

**▲ PELIGRO** Indica una situación peligrosa que, si no se evita, provocará la muerte o lesiones graves. Esta palabra de la señal se limita a las situaciones más extremas.

**▲ ADVERTENCIA** Indica una situación peligrosa que, de no evitarse, podría provocar la muerte o lesiones graves.

**▲ PRECAUCIÓN** Indica una situación peligrosa que, de no evitarse, podría causar la lesión menor o moderada.

**NOTICIA** Indica información que se considere importante, pero no relacionada con la seguridad.

**NOTA** Información que requiere especial atención.

**▲ ADVERTENCIA**

Parte del polvo creado por la pintura de potencia, lijado, aserrado, esmerilado, taladrado y otras actividades relacionadas contienen productos químicos que el Estado de California como causante de cáncer, defectos de nacimiento u otros daños reproductivos. Una lista de los productos químicos se puede obtener de [www.oehha.ca.gov](http://www.oehha.ca.gov) bajo la Propuesta 65. Algunos ejemplos de estos productos químicos son:

- El plomo de las pinturas a base de plomo
- El sílice cristalino de ladrillos, cemento y otros productos de albañilería
- Arsénico y cromo de madera tratada químicamente

Los usuarios de estas herramientas deben revisar la composición química de la superficie de trabajo y cualquier producto en conjunto con el funcionamiento de estas herramientas por cualquiera de estos productos químicos antes de participar en cualquier actividad que genera polvo y / o partículas microscópicas.

Los usuarios deben obtener las fichas de seguridad de todos los productos químicos identificados, ya sea por parte del fabricante o de su empleador, y proceder a estudiar, entender y seguir todas las instrucciones y advertencias para la exposición a estos productos químicos. El riesgo de estas exposiciones varía, dependiendo de cuantas veces se hace este tipo de trabajo.



Para reducir la exposición a estos productos químicos, trabaje en un área bien ventilada y llevando equipos de seguridad aprobados, tales como máscaras contra el polvo que están especialmente diseñadas para filtrar partículas microscópicas.

#### ▲ ADVERTENCIA

Este producto contiene sustancias químicas, incluyendo plomo, que según el Estado de California, que causa defectos de nacimiento y otros daños reproductivos. Lávese las manos después de manipular.

#### ▲ ADVERTENCIA

- Funcionamiento o mantenimiento de pistolas de pulverización inadecuado puede provocar lesiones graves y / o daños materiales. Lea y comprenda todas las advertencias e instrucciones de operación antes de usar pistolas de pulverización. Cuando se utilizan pistolas de pulverización, las precauciones básicas de seguridad siempre se deben seguir para reducir el riesgo de lesiones personales.
- Las advertencias y precauciones incluidas en este manual no pueden cubrir todas las condiciones y situaciones posibles que puedan ocurrir. Se debe entender por el operador que el sentido común y la precaución son factores que no se pueden incluir en este producto, pero debe ser suministrada por el operador.

#### ▲ ADVERTENCIA

- Mantenga el área de trabajo limpia y bien iluminada. Los bancos desordenados y las áreas oscuras aumentan los riesgos de descargas eléctricas, incendios y lesiones a personas.
- Mantenga a los observadores, niños y visitantes alejados mientras utiliza la herramienta. No utilice este producto con otras personas, niños o mascotas en el área de trabajo.
- Quédate alerta. Mire lo que está haciendo y use el sentido común al utilizar la herramienta. No utilice la herramienta cuando esté cansado o bajo la influencia de drogas, alcohol o medicamentos.
- Vístase de manera adecuada. No use ropa suelta o joyas. Mantenga el cabello largo y guantes alejados de las partes móviles.
- No se estire. Mantenga la postura y el equilibrio en todo momento.
- Use una máscara / respirador y gafas de seguridad cuando se pulveriza. Siempre rocíe en un área bien ventilada para evitar riesgos de salud y de incendio. Se refieren a datos de seguridad del material (MSDS) de los materiales de pulverización para más detalles.
- Nunca use oxígeno, dióxido de carbono, gases combustibles o cualquier gas butano como fuente de aire para la herramienta. Utilice solamente aire limpio, seco y regulado a la presión nominal o dentro de los rangos de presión nominales de mejor rendimiento pistola de pulverización y prolongar la duración de la pistola de pulverización.
- No apunte con la pistola de pulverización en cualquier polvo o suciedad para evitar cualquier daño a la pieza de trabajo.
- No utilice la herramienta si se daña durante el envío, manejo o uso. Los daños podrían ocasionar una explosión y causar lesiones y / o daños materiales.
- No rocíe ácidos, materiales corrosivos, productos químicos tóxicos, fertilizantes o pesticidas. El uso de estos materiales podría provocar la muerte o lesiones graves.
- Nunca apunte o spray en sí mismo o cualquier otra persona, lo que podría resultar en lesiones graves.
- No utilice una presión superior a la presión de servicio de cualquiera de las partes (mangueras, conexiones, etc.) en el sistema de pintura.

4



- No fume en o cerca del área de trabajo. Siempre mantenga un extinguidor de fuego presente en el área de trabajo.
- Durante la limpieza y purga, los solventes pueden ser expulsados fuerza de los pasajes líquido y de aire que podrían causar lesiones en los ojos. Asegúrese de que todos los demás en la zona del ojo están usando resistencia al impacto y la cara. Incluso los objetos pequeños pueden dañar los ojos y causar ceguera.
- Pinturas y disolventes puede ser dañino o fatal si se ingieren o inhalan. Evitar el contacto prolongado de la piel con disolventes o pinturas ya que irritadas de la piel. Después de cualquier contacto, lavar inmediatamente la zona expuesta con agua caliente y jabón.
- Apague siempre el suministro de aire, la manguera de drenaje de presión de aire y desconectar el suministro de aire cuando no esté en uso, antes de cambiar accesorios o cuando se hacen reparaciones. Apague y desconecte el suministro de aire, con seguridad descargar toda la presión de aire residual, y soltar el acelerador y / o gire el interruptor a su posición de reposo antes de salir del área de trabajo.

#### ▲ PELIGRO

- Nunca rocíe materiales inflamables cerca de llamas abiertas o fuentes de ignición. Nunca almacene líquidos o gases inflamables cerca del compresor de aire.
- Nunca rocíe cerca de 25 pies para el compresor de aire. Si es posible, ubique el compresor de aire en una habitación separada.

#### ▲ PRECAUCIÓN

- Mantenga la manguera lejos de objetos afilados. Estallando la manguera de aire podría causar lesiones personales. Examine las mangueras de aire regularmente y reemplazarlos si está dañado o roto.
- Verifique la alineación de las bandas de las piezas móviles, rotura de piezas y cualquier otra condición que afecta el funcionamiento de la herramienta. Si se daña la herramienta antes de utilizarla.
- Siempre use la pistola a una distancia segura de otras personas en el área de trabajo.
- **Limpie la pistola de pulverización INMEDIATAMENTE después de cada uso. Limpieza retardada o inadecuada va a tajar de forma permanente la pistola de pulverización.**
- Mantenga las pistolas de pulverización con cuidado. Mantenga las pistolas de pulverización limpia y engrasada para el mejor y más seguro rendimiento.

#### NOTICIA

- La presión de atomización es controlada por el regulador de la fuente de aire. La cantidad de fluido se ajusta mediante el mando de control de fluido, la viscosidad de la pintura, y la presión de aire.
- Si no se instalan / aceite de equipos de eliminación adecuada del agua podría causar daños en el producto o pieza de trabajo.
- Siempre use un regulador de presión en el suministro de aire a la pistola pulverizadora.
- Para evitar la rosca, todas las piezas de la pistola de pulverización se deben atornillar en la mano apretada inicialmente. Si las partes no pueden ser fácilmente girar con la mano, asegúrese de que tiene las piezas correctas, desenroscar, realinear, y vuelve a intentarlo. Nunca use fuerza excesiva en partes iguales.
- Use sólo accesorios identificados por el fabricante para el modelo herramienta específica.
- Al dar servicio a una herramienta, utilice exclusivamente piezas de repuesto y / o piezas autorizadas.
- Use solamente lubricantes suministrados con la herramienta o especificados por el fabricante.
- Almacene la herramienta fuera del alcance de los niños y otras personas no capacitadas cuando está inactivo.

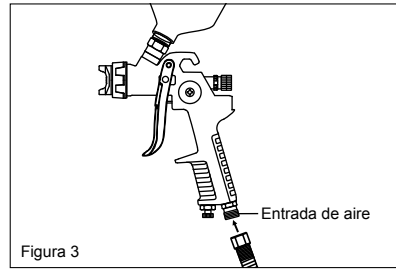
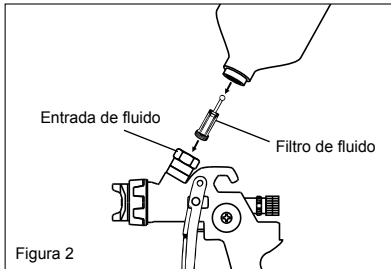
5

## SPECIFICATIONS

Modelo	Tipo de alimentación	Tipo de mezcla	Boquilla fluido	Presión de operación	Promedio. Consumo de aire	Entrada de aire
48PX88	Alimentación de gravedad	Externo	1.4 mm	30 - 50 PSI (2.1 - 3.5 BAR)	4.9 CFM	1/4"-18 NPS

## INSTALLATION INSTRUCTIONS

1. Sacar la pistola de pulverización e instalar el filtro de pintura en el paso de fluido de la pistola de pulverización. Enhebrar el depósito de pintura en la pistola de pulverización hasta que el vaso esté firmemente en su lugar. (Ver Figura 2)
2. Abra la tapa de la taza de pintura, llenar el depósito de pintura alrededor de 3/4, y vuelva a colocar la tapa del depósito de pintura.
3. Conectar la manguera de suministro de aire a la entrada de aire de la pistola pulverizadora. Utilice cinta selladora de roscas (no incluido) para la conexión hermética. No apriete demasiado. (Ver Figura 3)
4. Poner en marcha el compresor de aire y ajuste la presión de aire de funcionamiento de 30 - 50 psi (2.1 a 3.5 bar), dependiendo de la cantidad de atomización de líquidos y necesario. NO exceda pistola presión máxima de 50 psi (3,5 bar).  
**Nota:** La presión de trabajo se refiere a la presión de la línea de aire fijado a la pistola pulverizadora cuando el gatillo de la pistola se tira totalmente bajo las condiciones de trabajo.



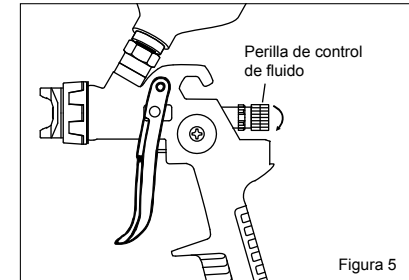
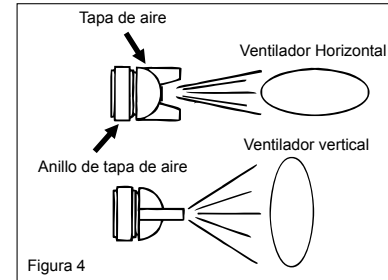
## INSTRUCCIONES DE OPERACIÓN

- Para un mejor rendimiento, antes del primer uso y / o de cada uso, limpie la pistola de pulverización utilizando una base de disolvente-delgado y luego rociar un diluyente o disolvente compatible a través de la pistola para eliminar los contaminantes y residuos posibles.
  - correctamente las pinturas finas que desee siguiendo las instrucciones del fabricante de la pintura antes de la pulverización. Si es necesario, cuidadosamente colar la pintura a través de un filtro de pintura o un trozo de estopilla.
  - Establecer un pedazo de cartón u otro material de desecho para su uso como un objetivo y ajustar una mejor atomización de la pistola de pulverización y el patrón.
  - Prueba de la consistencia de la pintura, haciendo algunos trazos sobre un blanco de cartón. Si la pintura todavía parece demasiado espesa, agregue una pequeña cantidad de diluyente y mezclar bien. No exceda las recomendaciones de adelgazamiento del fabricante de la pintura.
1. Ajustar las direcciones de la tapa de aire a ser horizontal o vertical como se requiere aflojando el anillo de la tapa de aire de 90 grados con la mano. Apriete a mano el anillo de la tapa de aire después del ajuste. (Ver Figura 4)

6

**NOTA:** Durante el uso normal, la válvula de aire se ajusta para estar en posición horizontal. Esto proporciona un patrón en forma de abanico vertical que da la máxima cobertura e incluso material que el arma se mueve hacia atrás y hacia delante paralela a la superficie que se está terminado.

2. Gire el mando de control de fluido completamente hacia la derecha hasta que cerrado. (Ver Figura 5)

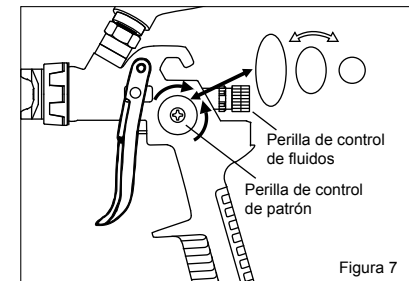
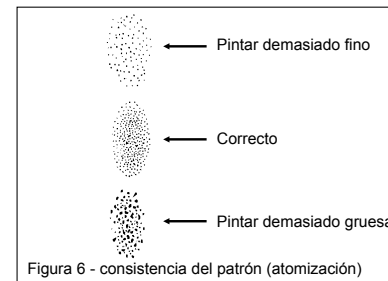


3. La celebración de la pistola de pulverización 6-9" lejos de la pieza de trabajo en función del ajuste del caudal, presión de atomización y la pintura, poco a poco apretar el gatillo y rociar una corta ráfaga mientras se gira la perilla de control de fluido en sentido antihorario y ajustando el botón de mando de control de aire y control del patrón hacia la derecha o hacia la izquierda hasta que se obtiene el patrón / la atomización deseada.

**Nota:** Si el rociado es muy fina, que es causada por el exceso de aire de la cantidad de pintura que se pulveriza, reducir la presión de aire o abrir la perilla de control de fluido más para rociar más pintura. Si el rociado es muy grueso o escupir manchas, reducir la cantidad de pintura con el botón de control de fluido o diluya la pintura más. (Ver Figura 6)

**Nota:** El botón de control de fluidos y la perilla de control de aire se pueden ajustar en sentido horario o antihorario para ajustar con precisión la consistencia del patrón. Antes de rociar sobre la pieza de trabajo, practicar unos minutos en un blanco de cartón y asegúrese de que el tamaño del patrón y la coherencia se establecen correctamente.

**Nota:** La perilla de control del patrón se puede ajustar hacia la derecha o hacia la izquierda para obtener la forma y el tamaño patrón requerido. Para obtener una forma de modelo redondo, gire la perilla de control del patrón de las agujas del reloj. Para conseguir una forma de abanico, gire gradualmente la perilla de control del patrón de la izquierda. (Ver Figura 7)



7

4. Mantenga la pistola de pulverización en el ángulo derecho de 90 grados con la superficie que está recubierta y mantener una aún, distancia y velocidad constantes. (Ver Figura 8)

**Nota:** Siempre mantenga el paralelo pistola de pulverización se mueve a la superficie que está recubierta durante la pulverización. Detener la pistola en la mitad de la carrera provocará una acumulación de pintura y dará lugar a carreras. No avente la pistola de lado a lado mientras que la pintura, ya que esto provocará una acumulación de pintura en el centro de accidente cerebrovascular y un recubrimiento insuficiente en cada extremo. (Ver Figura 9)

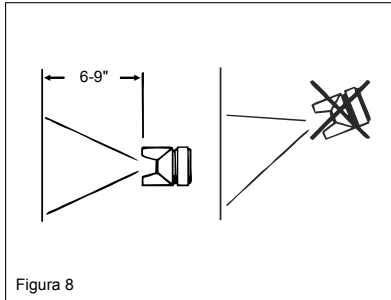


Figura 8

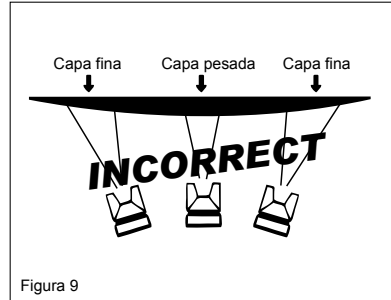


Figura 9

5. Dispare la pistola correctamente. Iniciar la pistola se mueve al comienzo de la carrera antes de apretar el gatillo y suelte el gatillo antes de parar movimiento de la pistola en el final de la carrera. Este procedimiento pluma / mezclar cada golpe con el siguiente sin mostrar superposición o desniveles. (Ver Figura 10)

**Nota:** La cantidad de pintura que se aplica se puede variar la velocidad de la carrera, distancia de la pieza de trabajo y el ajuste de la perilla de control de fluidos. Si la velocidad de la carrera es demasiado lento, la pintura será mojada en la pieza de trabajo y puede funcionar. Si la velocidad de la carrera es demasiado rápido, la pintura se seca y / o desigual en la pieza de trabajo.

6. Solape las pasadas sólo lo suficiente para obtener una capa uniforme y fina en la pieza de trabajo. (Ver Figura 11)

**Nota:** Dos capas delgadas de pintura darán mejores resultados de pulverización y tienen menos posibilidades de carreras que una capa pesada.

**Nota:** Utilice un trozo de cartón como un escudo para atrapar exceso de rocío en los bordes de la pieza de trabajo y proteger a otras superficies y / o los objetos cercanos no ser rociadas. Use cinta adhesiva para cubrir áreas si es necesario.

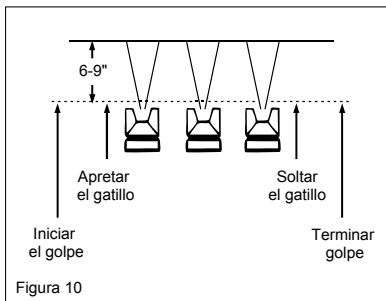


Figura 10

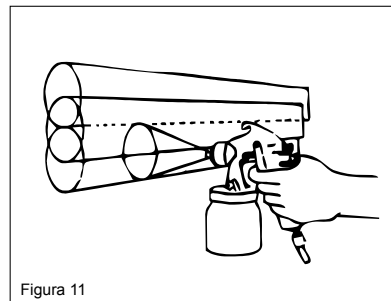


Figura 11

## SOLUCIÓN DE PROBLEMA

Problema	Causa posible	Acción Correctiva
<p>Patrón de pulverización pesada derecha o izquierda</p>	Un lado de la boquilla no está obstruido.	Remojar la boquilla en un disolvente para aflojar estorbo, luego soplar aire a través hasta que quede limpio. Para limpiar los orificios utilizan una cerda o un palillo de dientes. Nunca trate de colocar el material seco con la herramienta afilada.
<p>Tpatrón de pulverización pesada superior o inferior</p>	a) Aflojar la tobera de aire. b) Material por el exterior de la boquilla de aire se haya secado.	a) Active la boquilla de aire. b) Quitar la boquilla de aire y limpie la punta de fluido, utilizando un trapo humedecido con diluyente.
<p>Dividir el patrón de rociado</p>	a) La presión del aire de atomización es demasiado alto. b) Tratar de rociar un material delgado en demasiado amplia un patrón.	a) Reducir la presión del aire. b) Aumentar el control del material girando la perilla de ajuste del fluido a la izquierda, al tiempo que reduce la anchura del chorro de pulverización girando la perilla de ajuste a la derecha.
<p>Pulverización intermitente</p>	a) Embalaje alrededor de la válvula de aguja se seca. b) Pico de fluido libremente instalado, o suciedad entre la boquilla y el cuerpo. c) Sellado de la aguja dañada.	a) Copia de seguridad de tuerca moleteada, poner unas gotas de aceite de la máquina de embalaje, apriete la tuerca. b) Quitar la boquilla de fluido, limpio trasera de la boquilla y el asiento en el cuerpo de la pistola. Reemplace la boquilla y traer ajustado al cuerpo. c) Sustituir la junta.
<p>Patrón de rociado inadecuado</p>	a) Pistola mal ajustada. b) Cabezal de aire sucio. c) Pico de fluido obstruido. d) la aguja lenta.	a) Volver a ajustar la pistola. Siga las instrucciones cuidadosamente. b) El cabezal de aire limpio. c) Limpiar. d) Lubricar.
<p>No se puede obtener de chorro circular</p>	Ajuste del ventilador no se asienta correctamente tornillo.	Limpiar o reemplazar.
<p>No pulveriza</p>	a) No hay presión de aire en la pistola. b) La presión del fluido demasiado bajo con tapa de mezcla interna y el tanque de presión. c) El tornillo de control de fluido no abrir lo suficiente. d) El fluido es demasiado pesado para alimentación por succión.	a) Comprobar el suministro de aire y conductos de aire. b) Aumentar la presión del fluido en el tanque. c) El tornillo de control de fluido abierto. d) El material fino o el cambio de alimentación a presión.
<p>Escape de líquidos de la tuerca de empaquetadura</p>	a) La tuerca de embalaje suelto. b) Embalaje desgastado o seca.	a) Apretar, pero no tan fuerte como para apretón de la aguja. b) Reemplazar el embalaje o lubricar.
<p>Gotea de la punta de fluido</p>	a) El embalaje seco. b) La aguja lenta. c) Apriete la tuerca de presión. d) Worn boquilla de fluido o la aguja.	a) Lubricar. b) Lubricar. c) Ajustar. d) Para la alimentación de presión, sustituya por la nueva boquilla de fluido y la aguja.
<p>Acabado gruesa fina, arena</p>	a) Pistola llevó a cabo demasiado lejos de la superficie. b) Presión de atomización demasiado alto.	a) Pistola llevó a cabo demasiado lejos de la superficie. b) Presión de atomización demasiado alto.
<p>Espesor, acabado con hoyuelos naranja parecido pisl</p>	Arma realizó demasiado cerca de la superficie.	Mueva la pistola más lejos de la superficie.

**CUIDADO Y MANTENIMIENTO****Limpieza diaria**

Los códigos locales pueden requerir métodos de limpieza y equipos específicos. Siga los códigos locales y las recomendaciones del fabricante para el uso y la eliminación de pinturas en aerosol y disolvente.

**Nota:** Limpiar la pistola inmediatamente después de su uso. Pintura y otros materiales se secan rápidamente en los pequeños conductos de representación arma inútil debido a la dificultad de eliminar pintura endurecida de los pasajes dentro de la pistola.

1. Retire y depósito de pintura vacío; luego enjuague con un disolvente recomendado para la pintura.
  2. Recarga depósito de pintura con disolvente limpio y adjuntar a la pistola. Rocíe disolvente a través de la pistola mientras se agita vigorosamente la pistola. Limpie el exterior de la pistola con un trapo empapado en disolvente. Repita hasta que la pistola está limpio.
  3. Desconectar la pistola de suministro de aire. Después de desconectar, apunte la pistola de pulverización en el recipiente de disolvente gastado y apriete el gatillo de nuevo para asegurarse de que no quede aire.
  4. Retire la tapa de aire y de inmersión en disolvente hasta que quede limpio. Use un cepillo pequeño para las manchas difíciles, si es necesario. aguja de limpieza, palillos de dientes o pequeños cepillos se pueden utilizar para limpiar los conductos de aire.
- ⚠ ADVERTENCIA** Nunca utilice objetos metálicos para limpiar los conductos perforados con precisión. pasajes dañados causarán pulverización inadecuada.
5. Limpie las juntas con un trapo empapado de disolvente.
- ⚠ ADVERTENCIA** Nunca sumerja juntas o spray cuerpo de pistola en solventes para evitar daños al equipo.
6. Después de usar el agua para limpiar la pistola de aspersion sin alcohol mineral través de la pistola para evitar la corrosión.
  7. Limpiar la pistola y lave muy bien para neutralizar los contaminantes corrosivos a la pistola pulverizadora.
  8. Utilice un aceite no de silicona en todas las partes móviles durante el montaje. Utilizar vaselina o grasa ligera en todas las conexiones roscadas antes de su almacenamiento.

**Limpieza de periódico**

Debido a una limpieza inadecuada y la pintura puede ser necesario inspeccionar y limpiar el interior y el cuerpo de la pistola.

1. Examine las aberturas en el cabezal de aire y la boquilla de fluido. Si está obstruido, quitar cualquier juntas tóricas y tomar la tapa de aire o líquido en la punta disolvente.
2. aguja de limpieza, un cepillo, un palillo o algo similar se pueden usar para desalojar la pintura seca de los agujeros y los pasajes.

**⚠ ADVERTENCIA** Nunca utilice objetos metálicos para limpiar los conductos perforados con precisión. pasajes dañados causarán pulverización inadecuada.

10

3. Quitar y revisar la aguja de fluido para el desgaste excesivo en la punta y la rectitud. **NOTA:** Si la punta de la aguja se usa más de un lado que del otro, ya sea la aguja está doblada o el cuerpo de la pistola se ha caído o golpeado hacia fuera-de-línea. No hay ajustes que se pueden hacer a un cuerpo de la pistola doblada. Prueba de la aguja haciendo rodar sobre una superficie plana. Cambiar si es necesario.
4. Comprobar y sustituye a las juntas tóricas y las juntas dañadas. Juntas tóricas y sellos se pueden limpiar, pero no empapado en disolvente.
5. tuercas del empaque desenroscar y reemplazar el empaque sólo si la fuga no se detendrá cuando se aprieta la tuerca. No apriete en exceso de una tuerca de presión, ya que esto restringe el movimiento de la aguja.
6. Vuelva a montar en el orden inverso al de arriba y usar un aceite no de silicona en las partes móviles. Aplicar Vaselina® o grasa luz sobre las uniones roscadas y conexiones de manguera.

**Almacenamiento**

1. Cuando no se usa la pistola de pulverización, gire la perilla de ajuste del fluido hacia la izquierda para abrir lo que reducirá la tensión del resorte en la punta de la aguja de fluido.
2. La pistola de pulverización debe estar siempre muy limpio y ligeramente lubricado.
3. Tienda pistola de pulverización en un lugar seco y seguro, fuera del alcance de los niños.

11



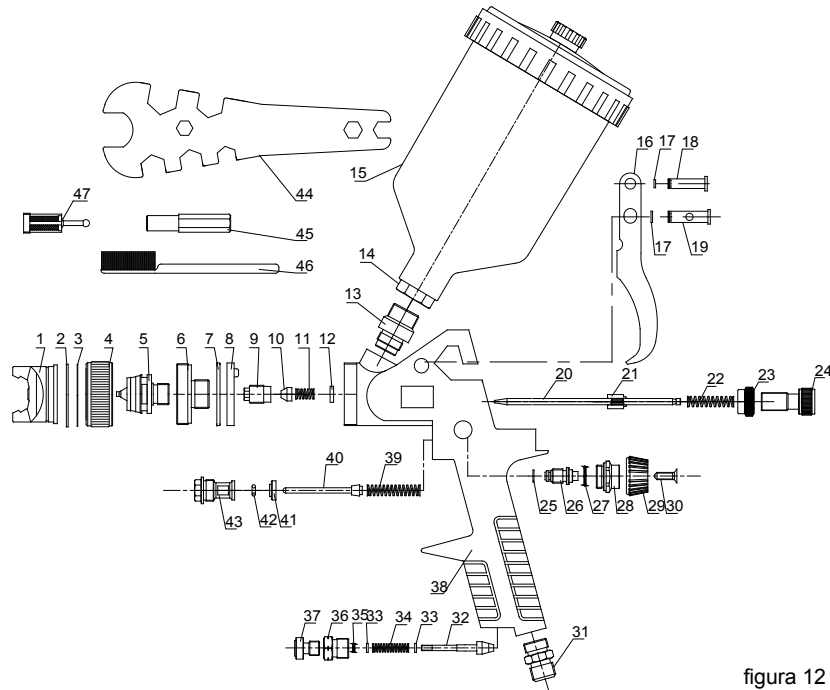
**ILUSTRACIÓN DE PIEZAS DE REPUESTO PARA 48PX88**

figura 12

**Para reparación de piezas, llamar al  
1-800-323-0620  
24 horas al día - 365 días al año**

Por favor proporcionar información siguiente:

- Número de modelo
- Número de serie (si los hay)
- Descripción y número de pieza como se muestra en la lista de piezas

**ILUSTRACIÓN DE PIEZAS DE REPUESTO PARA 48PX88**

No. de Ref.	Descripción de piezas	Partes disponibles	Cant.	No. de Ref.	Descripción de piezas	Partes disponibles	Cant.
1	Tapa de aire	*	1	25	Retenedor de resorte		1
2	Retenedor de la tapa	*	1	26	Válvula de ajuste de patrón		1
3	Gásquet	*	1	27	O-anillo		1
4	Anillo de tapa de aire	*	1	28	Base de ajuste de patrón		1
5	Boquilla de fluido	*	1	29	Perilla de control de patrón		1
6	Asiento de boquilla		1	30	Tornillo		1
7	Gásquet		1	31	Entrada de aire		1
8	Anillo de desvío de aire		1	32	Válvula de ajuste de aire		1
9	Tornillo de boquilla		1	33	Cojín		2
10	Empaquetadura de aguja		1	34	Resorte		1
11	Resorte		1	35	O-anillo		1
12	Gásquet		1	36	Base de válvula		1
13	Pezón de entrada de fluido		1	37	Perilla de control de aire		1
14	Pezón de salida de fluido		1	38	Cuerpo de pistola		1
15	Taza de pintura		1	39	Resorte		1
16	Gatillo		1	40	Perilla de ajuste de patrón		1
17	Retenedor de chasquido		2	41	Anillo de sello		1
18	Tornillo		1	42	O-anillo		1
19	Tornillo		1	43	Manga de boquilla		1
20	Aguja de fluido	*	1	44	Llave		1
21	Asiento de aguja	*	1	45	Llave auxiliar		1
22	Resorte		1	46	Cepillo de limpieza		1
23	Base de aguja		1	47	Filtro de pintura		1
24	Perilla de control de fluido		1				

## **SPEEDAIRE GARANTÍA LIMITADA DE UN AÑO**

**SPEEDAIRE GARANTÍA LIMITADA DE UN AÑO.** Todos los modelos de productos Speedaire® cubiertos en este manual están garantizados por Dayton Electric Mfg. Co. ("Dayton") para el usuario original contra defectos de fabricación o materiales bajo un uso normal durante un año después de la fecha de compra. Si el producto Speedaire es parte de un conjunto, sólo la parte que presente defectos está sujeto a esta garantía. Cualquier producto o pieza que se determina que es un defecto de fábrica o mano de obra y regresaron a un centro de servicio autorizado, como Dayton o de Dayton designado designa, a portes pagados, que será, como el remedio exclusivo, reparado o sustituido por un producto nuevo o reacondicionado o parte de la misma utilidad o un reembolso completo dado, a elección del diseñador de Dayton o de Dayton, sin costo alguno. Para los procedimientos de reclamación de garantía limitada, consulte "Servicio de garantía" más abajo. Esta garantía es nula si existe evidencia de mal uso, mala reparación, errores de instalación, abuso o alteración. Esta garantía no cubre el desgaste normal de los productos Speedaire o partes de ellos, o productos o partes de ellos que puedan consumirse en uso normal. Esta garantía limitada le otorga compradores derechos legales específicos, y usted también puede tener otros derechos que varían de una jurisdicción a otra.

**EXCLUSIONES Y LIMITACIONES DE RESPONSABILIDAD EN RELACIÓN CON TODOS LOS CLIENTES PARA TODOS LOS PRODUCTOS LIMITACIÓN DE RESPONSABILIDAD.** A LA MEDIDA PERMITIDA POR LA LEY APLICABLE, LA RESPONSABILIDAD DE DAYTON POR DAÑOS INDIRECTOS Y EXPRESAMENTE RENUNCIA. LA RESPONSABILIDAD DE DAYTON EN TODOS LOS EVENTOS SE LIMITA A Y NO SUPERARÁ EL PRECIO DE COMPRA.

**RENUNCIA DE GARANTÍA.** UNA ESFUERZO DILIGENTE SE HA HECHO EN LA PROVISIÓN DE INFORMACIÓN DEL PRODUCTO Y ILUSTRAR LOS PRODUCTOS SPEEDAIRE EN ESTA LITERATURA EXACTAMENTE; SIN EMBARGO, ESTA INFORMACIÓN E ILUSTRACIONES SON PARA EL ÚNICO PROPÓSITO DE IDENTIFICACIÓN, Y NO EXPRESAN NI IMPLICAN GARANTÍA QUE LOS PRODUCTOS SPEEDAIRE SON COMERCIAL, O FIT PARA UN PROPÓSITO PARTICULAR, O QUE LOS PRODUCTOS SPEEDAIRE SE AJUSTAN NECESARIAMENTE A LAS ILUSTRACIONES O DESCRIPCIONES. EXCEPCIONES PREVISTAS A CONTINUACIÓN, NINGUNA GARANTÍA O AFIRMACIÓN DE HECHO, EXPRESA O IMPLÍCITA, QUE NO SEA ESTIPULADA NÁS "GARANTÍA LIMITADA" ANTERIOR SE HACE O AUTORIZADA POR DAYTON.

**CONVENIENCIA DEL PRODUCTO.** MUCHAS JURISDICCIONES TIENEN CÓDIGOS Y REGLAMENTOS QUE RIGEN LAS VENTAS, CONSTRUCCIÓN, INSTALACIÓN Y / O USO DE PRODUCTOS PARA CIERTOS PROPÓSITOS, QUE PUEDEN VARIAR DE AQUELLOS EN LAS ZONAS VECINAS. MIENTRAS SE INTENTA GARANTIZAR QUE LOS PRODUCTOS SPEEDAIRE CUMPLAN CON DICHO CÓDIGOS, DAYTON NO PUEDE GARANTIZAR EL CUMPLIMIENTO, Y NO PUEDE SER RESPONSABLE DE CÓMO EL PRODUCTO SE INSTALACIÓN O DE UTILIZACIÓN. ANTES DE LA COMPRA Y USO DE UN PRODUCTO, COMPROBE LA SEGURIDAD / ESPECIFICACIONES Y TODOS LOS CÓDIGOS Y REGLAMENTOS APLICABLES NACIONALES Y LOCALES, Y ESTAR SEGURO QUE EL SPEEDAIRE PRODUCTO, INSTALACIÓN, USO Y CUMPLIREMOS CON ELLOS.

**LOS CONSUMIDORES SÓLO.** CIERTOS ASPECTOS DE RENUNCIAS NO SON APLICABLES A LOS PRODUCTOS DE CONSUMO VENDIDOS A LOS CONSUMIDORES; (A) ALGUNAS JURISDICCIONES NO PERMITEN LA EXCLUSIÓN O LIMITACIÓN DE DAÑOS INCIDENTALES O DERIVADOS, POR LO QUE LA EXCLUSIÓN O LIMITACIÓN ANTERIOR NO SE APLIQUE EN SU CASO; (B) TAMBIÉN, ALGUNAS JURISDICCIONES NO PERMITEN UNA LIMITACIÓN SOBRE LA DURACIÓN DE UNA GARANTÍA IMPLÍCITA, POR LO QUE LA ANTERIOR PODRÍA NO SER APLICABLE AL USUARIO; Y (C) LA LEY, EN EL PERÍODO DE ESTA GARANTÍA LIMITADA, TODAS LAS GARANTÍAS IMPLÍCITAS DE COMERCIALIZACIÓN O IDONEIDAD PARA UN PROPÓSITO PARTICULAR APLICABLE A LOS PRODUCTOS DE CONSUMO COMPRADOS POR LOS CONSUMIDORES, NO PUEDE SER EXCLUIDOS O DE OTRA MANERA NO VALIDAS.

ESTA GARANTÍA LIMITADA SÓLO SE REFIERE A: SPEEDAIRE PRODUCTOS COMPRADOS POR LOS COMPRADORES DE ESTADOS UNIDOS PARA ENTREGA EN LOS ESTADOS UNIDOS.

### **SERVICIO DE GARANTÍA**

Para obtener servicio de garantía en caso de adquirir el producto cubierto directamente de WW Grainger, Inc. ("Grainger"), (i) escribir o llamar o visitar la sucursal de Grainger local desde el que se adquirió el producto o otra rama Grainger cerca de usted (ver [www.grainger.com](http://www.grainger.com) para obtener una lista de las sucursales Grainger); o (ii) en contacto Grainger por ir a [www.grainger.com](http://www.grainger.com) y haciendo clic en el enlace "Contáctenos" en la parte superior de la página, a continuación, hacer clic en el enlace "Envíenos un correo electrónico"; o (iii) Atención de llamadas al cliente (llamada gratuita) al 1-888-361-8649. Para obtener servicio de garantía en caso de adquirir el producto cubierto de otro distribuidor o minorista, (i) voy a [www.grainger.com](http://www.grainger.com) al Servicio de Garantía; (ii) escribir o llamar o visitar una sucursal de Grainger cerca de usted; o (iii) Atención de llamadas al cliente (llamada gratuita) al 1-888-361-8649. En cualquier caso, usted tendrá que proporcionar, en la medida disponible, la fecha de compra, el número original de la factura, el número de valores, una descripción del defecto y cualquier otra cosa especifican en esta Garantía Speedaire limitada de un año. Es posible que deba enviar el producto para su inspección en su costo. Puede dar seguimiento a los avances de las inspecciones y correcciones en las mismas formas. Título y riesgo de pérdida pasan al comprador en el envío a transporte público, por lo que si el producto se daña en tránsito hacia usted, reclamo a la compañía, no el minorista, Grainger o Dayton. Para información sobre la garantía para los compradores y / o la entrega fuera de los Estados Unidos, por favor póngase en contacto con:

**Dayton Electric Mfg. Co.,**

**100 Grainger Parkway, Lake Forest, IL 60045 EE.UU.**

**o llame al +1-888-361-8649**

®

**SPEEDAIRE**



## **Pistolet de PBVE de Gravité**

**Modèles: 48PX88**

<sup>®</sup>  
**SPEEDAIRE**

**S'IL VOUS PLAÎT LISEZ ET  
CONSERVEZ LES INSTRUCTIONS.  
LISEZ SOIGNEUSEMENT AVANT  
D'ESSAYER DE ASSEMBLER,  
INSTALLER, OPERER OU ENTRETENIR  
CE PRODUIT DECRIT.**

**PROTEGEZ VOUS-MEME ET LES  
AUTRES EN OBSERVANT TOUTES  
INFORMATIONS SUR LA SÉCURITÉ.  
NON-RESPECT DES INSTRUCTIONS  
POURRAIT CAUSER DES BLESSURES  
ET / OU DES DOMMAGES! CONSERVER  
LES INSTRUCTIONS POUR LA  
RÉFÉRENCE FUTURE.**

**S'IL VOUS PLAÎT REFÉREZ A LA COU  
VERTURE POUR LES INFORMATIONS  
CONCERNANT LA GARANTIE  
DE DAYTON ET LES AUTRES  
RENSEIGNEMENTS IMPORTANTS.**

**Modèle#:** \_\_\_\_\_

**Série#:** \_\_\_\_\_

**Date de l'achat:** \_\_\_\_\_

*mprié en Chine*  
NSC100 / Version 1/ 11/ 15/2015  
© 2015 W.W. Grainger, Inc.  
Tous les Droits Réservés

**SPEEDAIRE**  
\*\*\*\*\*

## **AVANT DE COMMENCER**

### **Déballage**

- Après le déballage de l'appareil, inspectez soigneusement pour tout le dommage qui pourrait avoir eu lieu durant le transport. Vérifiez des pièces lâches, manquantes ou endommagées. La réclamation de dommage du transport doit être déposée avec le transporteur.



- Voir les instructions de sécurité générale à la page 3.

COMMENCER

SÉCURITÉ /  
CARACTÉRISTIQUES

ASSEMBLAGE /  
INSTALLATION

INSTRUCTION  
D'OPERATION

DEPANNAGE

ENTRETIEN /  
PART DE RÉPARATION

**Description**

Les pistolets opérés l'air de Speedaire sont conçus pour effectuer une variété de peinture, de revêtement et d'applications de finition utilisant la puissance de l'air comprimé. L'alimentation de gravité -le pistolet est utilisé pour pulvériser des peintures à base d'eau et / ou des peintures à base de solvants. Il dispose de haute peinture efficacité de transfert avec une faible alimentation en pression d'air, et réduit le dépassement et le brouillard de pulvérisation pour protéger l'environnement. Il est idéal pour le revêtement de surface de la pièce, et pour la finition automobile et d'autres peintures qualifiés ainsi.

**Termes du pistolet**

**Alimentation de la gravité:** Peinture dans la coupe est amené au passage de matériau de pistolet par gravité.

**PBVE:** pression basse du Volume élevé

**Mélange externe:** Processus où l'air et la peinture sont mélangés juste après avoir quitté la buse. Ce type de mélange doit être utilisé pour les peintures à séchage rapide et quand une finition de haute qualité est nécessaire.

**Non-désamplification:** L'air circule uniquement lorsque le déclencheur est tiré. Donc, l'opération nécessite un compresseur d'air avec un réservoir ou avec un grand système d'air d'usine.

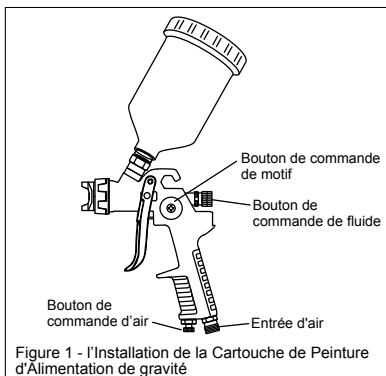
**Atomisation:** la Conversion de peinture en vrac pour pulvériser des gouttelettes (brouillard).

**Viscosité:** Une mesure de la résistance à l'écoulement des liquides.

**Bouton de commande de fluide:** Le contrôle de la quantité de peinture étant mélangée avec de l'air.

**Bouton de commande de motif:** Le contrôle de former la bonne forme et la taille de la peinture.

**Bouton de commande d'air:** Le contrôle de la quantité de flux d'air pour la pulvérisation appropriée.

**INFORMATION DE SECURITE GENERALE**

lisez attentivement ces instructions avant de tenter d'assembler, installer, exploiter ou maintenir le produit décrit s'il vous plaît. Protégez-vous et les autres en observant toutes les informations de sécurité. Le non-respect des instructions peut entraîner des blessures et / ou des dommages matériels. Enregistrez et conservez ces instructions pour la référence ultérieure.

- Suivez tous les codes électriques locales et de sécurité ainsi que les Codes Electriques Nationales des Etats-Unis (CEN) et Acte de Sécurité au Travail et de Santé (ASTS).
- Lors de la pulvérisation et le nettoyage, suivez toujours le manuel et les précautions de sécurité fournis par le fabricant du matériau (Référez-vous aux Fiches de Données de Sécurité du Matériau – FDSM).

**Consignes de sécurité**

Le symbole d'alerte de sécurité ▲ est utilisé pour identifier les informations de sécurité sur les dangers qui peuvent entraîner des blessures.

Un mot de signal DANGER, AVERTISSEMENT ou ATTENTION est utilisé avec le symbole d'alerte pour indiquer la probabilité et la gravité potentielle des blessures.

**▲ DANGER** Indique une situation dangereuse qui, si ce n'est pas évité, entraînera la mort ou des blessures graves. Ce mot de signal doit être limité aux situations les plus extrêmes.

**▲ AVERTISSEMENT** Indique une situation dangereuse qui, si ce n'est pas évité, pourrait entraîner la mort ou des blessures graves.

**▲ ATTENTION** Indique une situation dangereuse qui, si ce n'est pas évité, pourrait entraîner des blessures mineures ou modérées.

NOTICE Indique des informations jugées importantes, mais non liées aux dangers.

NOTE L'information qui nécessite une attention particulière.

**▲ AVERTISSEMENT**

Certaines poussières produites par la peinture de puissance, le ponçage, le sciage, le meulage, le perçage et d'autres activités connexes contient des produits chimiques reconnus par l'État de Californie pour causer le cancer, des anomalies congénitales ou d'autres problèmes de reproduction. Une liste de produits chimiques peut être obtenue de [www.oehha.ca.gov](http://www.oehha.ca.gov) sous la Proposition 65. Quelques exemples de ces produits chimiques sont:

- Plomb provenant des peintures à base de plomb
- La silice cristalline des briques, du ciment et d'autres produits de maçonnerie
- L'arsenic et le chrome provenant des bois traités chimiquement

Les utilisateurs de ces outils doivent examiner la composition chimique de la surface de travail et tous les produits en conjonction avec le fonctionnement de ces outils pour tous ces produits chimiques avant de se livrer à toute l'activité qui crée la poussière et / ou les particules microscopiques.

Les utilisateurs doivent obtenir les fiches de données de sécurité des matériaux de tous les produits chimiques identifiés, soit auprès du fabricant ou de leur employeur, et procèdent à apprendre, comprendre et suivre toutes les instructions et les avertissements concernant l'exposition à ces produits chimiques. Votre risque de ces expositions varie, dépendant combien de fois que vous faites ce genre de travail.



Pour réduire votre exposition à ces produits chimiques, travaillez dans un endroit bien ventilé, et travaillez avec l'équipement de sécurité approuvé, tels que les masques à poussière qui sont spécialement conçus pour filtrer les particules microscopiques.

#### ▲ AVERTISSEMENT

Ce produit contient des produits chimiques, y compris le plomb, connu dans l'état de Californie, pour causer des malformations congénitales et d'autres problèmes de reproduction. Se laver les mains après avoir manipulé.

#### ▲ AVERTISSEMENT

- Le fonctionnement ou l'entretien inadéquat des pistolets pourrait entraîner des blessures graves et / ou des dommages matériels. Lisez et comprenez tous les avertissements et les instructions d'utilisation avant d'utiliser les pistolets. Lors d'utiliser les pistolets, les précautions de sécurité de base doivent toujours être suivies pour réduire le risque de blessure.
- Les avertissements et les précautions décrits dans ce manuel ne peuvent pas couvrir toutes les conditions et les situations qui peuvent se produire. Il doit être entendu par l'opérateur que le bon sens et la bonne prudence sont des facteurs qui ne peuvent pas être intégrés dans ce produit, mais il doit être fourni par l'opérateur.

#### ▲ AVERTISSEMENT

- Garder l'endroit de travail propre et bien éclairé. Les bancs encombrés et les zones sombres augmentent les risques d'électrocution, d'incendie et de blessures.
- Gardez les spectateurs, les enfants et les visiteurs lors d'utiliser l'outil. N'utilisez pas ce produit avec d'autres personnes, les enfants ou les animaux domestiques dans l'endroit de travail.
- Restez attentif. Regardez ce que vous faites et utilisez le bon sens lors d'utiliser l'outil. N'utilisez pas l'outil si vous êtes fatigué ou sous l'influence de drogues, d'alcool ou de médicaments.
- Habillez correctement. Ne portez pas de vêtements amples ou de bijoux. Gardez les cheveux longs et les gants loin des pièces mobiles.
- Ne penchez pas trop. Gardez une bonne assise et un bon équilibre à tout moment.
- Utilisez un masque / un respirateur et portez des lunettes de sécurité lors de pulvériser. Pulvérisez toujours dans un endroit bien ventilé pour prévenir les risques sanitaires et d'incendie. Référez-vous au Data de Sécurité des Matériels des matériels de pulvérisation pour les détails.
- N'utilisez jamais de l'oxygène, du dioxyde de carbone, des gaz combustibles ou des gaz en bouteille comme une source d'air pour l'outil. Utilisez uniquement l'air propre, sec et régulé comprimé à la pression nominale ou dans les plages de pression nominale pour une meilleure performance du pistolet et prolonger la vie du pistolet.
- Ne visez pas le pistolet à la poussière ou des débris afin d'éviter tout le dommage à la pièce.
- Ne fonctionnez pas l'outil s'il est endommagé pendant le transport, la manipulation et l'utilisation. Les dommages pourraient entraîner l'éclatement et de causer des blessures et / ou des dommages matériels.
- Ne pulvérisez pas des acides, des matériaux corrosifs, des produits chimiques toxiques, des engrais ou des pesticides. Utilisant les matériaux peut entraîner la mort ou des blessures graves.
- Ne visez jamais ou pulvérisez sur vous-même ou quelqu'un d'autre, ce qui pourrait entraîner des blessures graves.
- N'utilisez pas une pression supérieure à la pression de fonctionnement d'aucun des composants (tuyaux, raccords, etc) dans le système de peinture.

4



- Ne fumez pas dans ou à proximité de l'endroit de travail. Gardez toujours un extincteur présent dans l'endroit de travail.
- Pendant le nettoyage et le rinçage, les solvants peuvent être expulsés de force des passages de liquide et de l'air qui pourraient causer des blessures aux yeux. Assurez-vous que tous les autres dans la région portent les yeux de résistance aux chocs et une protection du visage. Même les petits objets peuvent blesser les yeux et causer la cécité.
- Les peintures et les solvants peuvent être dangereux ou mortels en cas d'ingestion ou d'inhalation. Évitez tout le contact prolongé de la peau avec des solvants ou les peintures, car ils irritent la peau. Après tout le contact, lavez immédiatement hors la zone exposée avec de l'eau chaude et savonneuse.
- Arrêtez toujours l'alimentation en air, le tuyau d'évacuation de la pression de l'air et débranchez l'alimentation d'air lorsqu'il ne sert pas, avant de changer les accessoires ou lors de faire des réparations. Éteignez et débranchez l'alimentation en air, déchargez l'pression d'air résiduel, et relâchez la manette des gaz et / ou mettez l'interrupteur à sa position d'arrêt avant de quitter l'endroit de travail.

#### ▲ DANGER

- Ne pulvérisez jamais des matériaux inflammables dans le voisinage de la flamme nue ou des sources d'inflammation à proximité. Ne stockez jamais des liquides ou des gaz inflammables à proximité du compresseur d'air.
- Ne pulvérisez jamais près de 25 pieds pour le compresseur d'air. Si c'est possible, localisez le compresseur d'air dans une pièce séparée.

#### ▲ ATTENTION

- Gardez le tuyau loin des objets pointus. Débordant le tuyau d'air pourrait entraîner des blessures. Examinez les tuyaux d'air régulièrement et les remplacez s'ils sont endommagés ou brisés.
- Vérifiez l'alignement ou des bandes des pièces mobiles, la rupture des pièces, et toute autre condition qui affecte le fonctionnement de l'outil. S'il est endommagée, ont l'outil avant de l'utiliser.
- Utilisez toujours le pistolet à une distance de sécurité des autres personnes dans l'endroit de travail.
- **Nettoyez le pistolet immédiatement après chaque utilisation. Le nettoyage retardé ou insuffisant sera obstrué définitivement le pistolet.**
- Maintenez les pistolets avec soin. Gardez les pistolets propres et huilés pour la meilleure et la plus sûre performance.

#### NOTICE

- La pression pour la pulvérisation est commandée par le régulateur sur la source d'air. La quantité de liquide est réglée par le bouton de commande de fluide, la viscosité de la peinture et la pression de l'air.
- L'échec d'installer l'équipement d'enlèvement de l'eau/ de l'huile appropriée peut endommager le produit ou la pièce.
- Utilisez toujours un régulateur de pression sur l'alimentation en air au pistolet.
- Pour éviter d'agrafer mal, toutes les pièces du pistolet doivent être vissés dans la main serrée initialement. Si les parts ne peuvent pas facilement être tournées à la main, assurez-vous que vous avez les bonnes pièces, dévissez, réalignez et essayez à nouveau. N'utilisez jamais une force excessive dans les parts correspondantes.
- Utilisez uniquement les accessoires identifiés par le fabricant pour le modèle d'outil spécifique.
- Lors de l'entretien d'un outil, utilisez seulement les pièces identiques et / ou les parts autorisées.
- Utilisez uniquement des lubrifiants fournis avec l'outil ou spécifiées par le fabricant.
- Stockez l'outil hors de la portée des enfants et d'autres personnes inexpérimentées lorsqu'il est inactive.

5

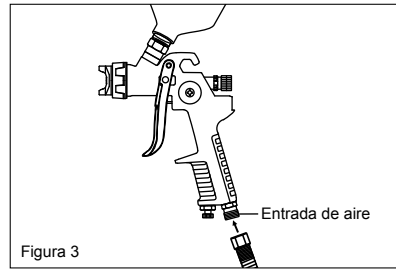
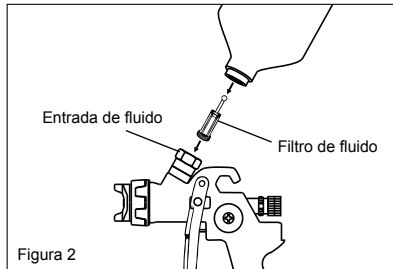
## CARACTÉRISTIQUES

Modèle	Type d'alimentation	Type de Mélange	Buse de Fluide	Pression D'opération	Consommation d'air moyen	Entrée d'air
48PX88	Alimentation de pression	Externe	1.4 mm	30 - 50 PSI (2.1 - 3.5 BAR)	4.9 CFM	1/4"-18 NPS

## INSTRUCTIONS D'INSTALLATION

- Retirez le pistolet et installez le filtre de peinture dans le passage de fluide du pistolet. Enfiler le godet de peinture dans le pistolet jusqu'à ce que la coupe est bien en place. (Voir la Figure 2)
- Ouvrez le couvercle du récipient de peinture, remplissez le godet de peinture environ 3/4, et remplacez le couvercle de la peinture de la tasse.
- Raccordez le tuyau d'alimentation en air à l'entrée d'air du pistolet. Utilisez le ruban d'étanchéité (non inclus) pour la connexion étanche à l'air. Ne serrez pas trop. (Voir la Figure 3)
- Démarrez le compresseur d'air et réglez la pression d'air de fonctionnement à 30 - 50 PSI (2.1 - 3.5 BAR) en fonction de la quantité de fluide et d'atomisation nécessaire. NE dépassez PAS la pression maximale du pistolet de 50 PSI (3.5 BAR).

**Note:** La pression de travail se réfère à la pression de la conduite d'air réglé sur le pistolet lorsque la gâchette du pistolet est tirée complètement dans les conditions de travail.



## INSTRUCTIONS D'OPERATION

- Pour la meilleure performance, avant la première utilisation et / ou chaque utilisation, nettoyez le pistolet en utilisant un diluant à base de solvant et puis pulvérisez un diluant ou un solvant compatible à travers le pistolet pour éliminer tous les contaminants et les résidus possibles.
- Amincissez correctement les peintures désirées en suivant les instructions du fabricant de peinture avant la pulvérisation. Si c'est nécessaire, filtrez soigneusement la peinture à travers un filtre de peinture ou un morceau d'étamine.
- Mettez en place un morceau de carton ou autre matériau de ferraille pour utiliser comme une cible et ajuster la meilleure atomisation et le meilleur motif du pistolet.
- Testez la consistance de la peinture en faisant quelques coups sur une cible en carton. Si la peinture semble encore trop épaisse, ajoutez une petite quantité de diluant et bien mélangez. Ne dépassez pas les recommandations d'éclaircissage du fabricant de peinture.

- Ajustez les directions du bouchon d'air d'être horizontale ou verticale comme demandé en desserrant l'anneau du bouchon d'air de 90 degrés avec la main. Serrez à la main l'anneau du bouchon d'air après l'ajustement. ( Voir la Figure 4)

6

**Note:** Pendant une utilisation normale, le bouchon d'air est ajusté pour être horizontal. Ceci permet d'obtenir un motif en forme d'éventail vertical qui donne le maximum et même la couverture du matériau comme le pistolet est déplacé en arrière parallèle à la surface en cours de finition.

2. Tournez le bouton de commande de fluide dans le sens horaire jusqu'à la fermeture. (Voir la Figure 5)

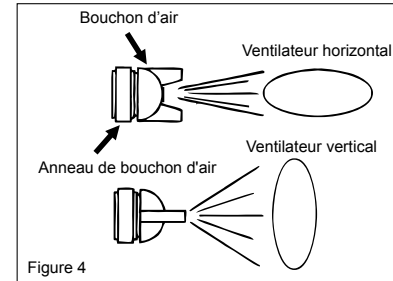


Figure 4

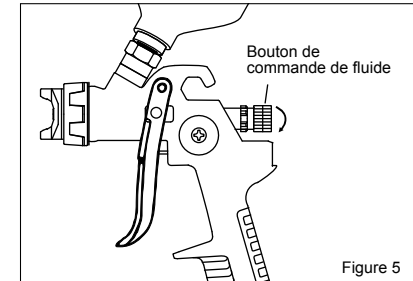


Figure 5

3. Tenant le pistolet 6-9" loin de la pièce en fonction du réglage du débit, la pression d'atomisation et la peinture, pressez lentement la gâchette et pulvérisez une courte rafale lors de tourner le bouton de commande de fluide dans le sens antihoraire et de régler le bouton de contrôle de l'air et le bouton de contrôle de motif dans le sens horaire ou antihoraire jusqu'à ce que le motif / l'atomisation désiré est obtenu.

**Note:** Si le jet est trop fine, qui est cause par une trop grande quantité d'air de la quantité de peinture à pulvériser, réduisez la pression d'air ou ouvrez le bouton de commande de fluide plus pour pulvériser plus de peinture. Si le jet est trop grossier ou blocs crachant, réduisez la quantité de peinture avec le bouton de commande de fluide ou diluez la peinture plus. (Voir la figure 6)

**Note:** Le bouton de commande de fluide et le bouton de commande d'air peuvent être réglés dans le sens horaire ou antihoraire pour ajuster finement la cohérence du modèle. Avant la pulvérisation sur la pièce, pratiquez quelques minutes sur une cible en carton et assurez-vous que la taille du motif et la cohérence sont correctement définies.

**Note:** Le bouton de commande du motif peut être réglé dans le sens horaire ou antihoraire pour obtenir la forme du motif requis et la taille. Pour obtenir une forme du motif rond, tournez le bouton de commande du motif dans le sens horaire. Pour obtenir une forme de modèle de ventilateur, tournez progressivement le bouton de commande du motif dans le sens antihoraire. (Voir la Figure 7)

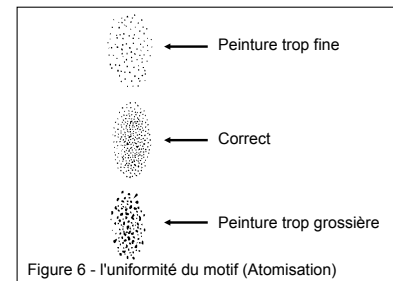


Figure 6 - l'uniformité du motif (Atomisation)

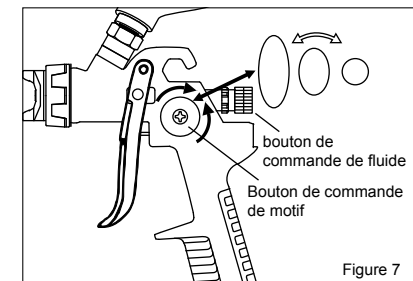


Figure 7

7

4. Gardez le pistolet à l'angle droit de 90 degrés à la surface étant recouverte et maintenez une même, la distance constante et la vitesse. (Voir la Figure 8)  
**Note:** Gardez toujours le pistolet se déplaçant parallèlement à la surface étant recouverte pendant la pulvérisation. Arrêtant le mouvement des pistolets à mi-course va provoquer une accumulation de peinture et entraîner des pistes. Ne soufflez pas le pistolet d'un bout à l'autre lors de la peinture, car cela entraînerait une accumulation de peinture dans le centre de la course et un revêtement insuffisant à chaque extrémité. (Voir la Figure 9)

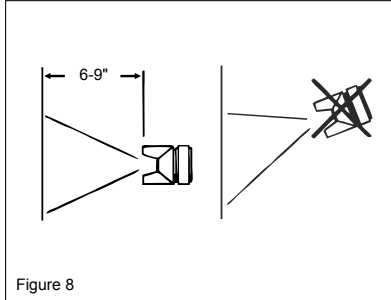


Figure 8

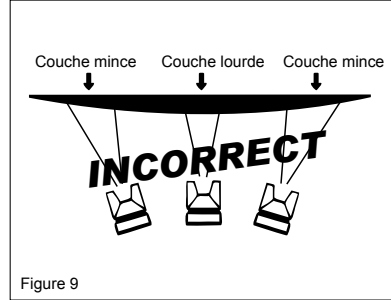


Figure 9

5. Actionnez le pistolet correctement. Démarrez le pistolet en mouvement au début de la course avant de presser la gâchette et relâchez la gâchette avant d'arrêter le mouvement des pistolets à la fin de la course. Cette procédure va éviter par des plumes /mélanger chaque course avec la prochaine sans montrer le chevauchement ou l'irrégularité. (Voir la Figure 10)  
**Note:** La quantité de peinture appliquée peut être modifiée par la vitesse de course, la distance de la pièce et le réglage du bouton de commande de fluide. Si la vitesse de la course est trop lent, la peinture sera humide sur la pièce et peut fonctionner. Si la vitesse de la course est trop rapide, la peinture sera sèche et / ou irrégulière sur la pièce.
6. La course de chevauchement juste assez pour obtenir une couche unie et fine sur la pièce. (Voir la Figure 11)  
**Note:** Deux couches minces de peinture donneront de meilleurs résultats de pulvérisation et ont moins de chances des pistes qu'une couche lourde.  
**Note:** Utilisez un morceau de carton comme un bouclier pour attraper la surpulvérisation sur les bords de la pièce et protéger les autres surfaces et / ou des objets proches n' étant pas pulvérisés. Utilisez du ruban adhésif pour couvrir les zones de besoin.

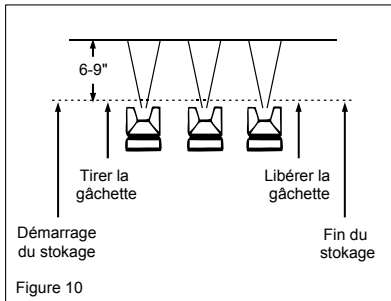


Figure 10

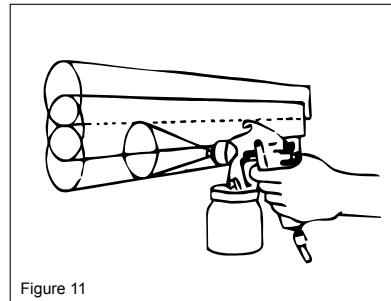


Figure 11

## DEPANNAGE

Problème	Cause Possible	Action Corrective
 Motif de pulvérisation lourd droite ou gauche	Un côté de la buse est bouchée.	Faire tremper la buse dans un solvant pour desserrer le sabot, puis souffler l'air à travers jusqu'à ce qu'il est propre. Pour nettoyer les orifices utilisez une paille ou un cure-dent. N'essayez jamais d'attacher la matière séchée avec un outil pointu.
 Motif de pulvérisation lourd haut ou en bas	a) Relâchez la buse d'air. b) Le matériau à l'extérieur de la buse d'air a séché.	a) Déclencher la buse d'air. b) Enlevez la buse d'air et essuyez la pointe de fluide, à l'aide d'un chiffon humidifié avec un diluant.
 Motif de pulvérisation divisé	a) La pression d'air d'atomisation est trop élevée. b) Essayer de pulvériser un matériau mince dans un trop grand motif.	a) Réduisez la pression de l'air. b) Augmentez le contrôle des matières en tournant le bouton de réglage à gauche, tout en réduisant la largeur du jet en tournant le bouton de réglage de pulvérisation de motif à droite.
 Pulvérisation intermittente	a) L' emballage autour soupape à pointeau est sèche. b) La buse vaguement installé, ou de la saleté entre la buse et le corps. c) Le scellage de l' aiguille endommagé	a) Aide l' écrou moleté, mettez quelques gouttes d'huile de machine, serrez l'écrou. b) Enlevez la buse de fluide, nettoyez l' arrière de la buse and le siège dans le corps du pistolet. Remplacez la buse et apportez serré au corps. c) Remplacez le joint.
 Motif de pulvérisation incorrecte	a) Le pistolet mal réglé. b) Le bouchon d'air sale. c) La buse obstruée. d) L' aiguille lente	a) Réajuster le pistolet. Suivez attentivement les instructions. b) Nettoyez le bouchon d'air air cap. c) Nettoyez. d) Lubrifiez.
 Impossible d'obtenir le jet rond	La vis réglage du ventilateur plaçant mal	Nettoyez ou remplacez.
 Ne vaporisez pas	a) Pas de pression d'air au pistolet. b) La pression du fluide trop faible avec un bouchon à mélange interne et le réservoir de pression. c) La vis de contrôle de fluide n'ouvrent pas assez. d) Le Fluid trop lourd pour l'alimentation d'aspiration.	a) Vérifier l'alimentation d'air et les lignes d'air. b) Augmentez la pression de fluide au réservoir. c) Ouvrez la vis de commande de fluide d) Diluez ou changez à l'alimentation sous pression.
 Fuite de liquide de l'écrou d'emballage	a) L'écrou de l'emballage relâché b) Emballage usé ou sec.	a) Serrez, mais pas trop serré pour l'aiguille de préhension. b) Remplacez l'emballage ou lubrifiez.
 Dégoulinant de la pointe de fluide	a) L' emballage sec. b) L' aiguille lente c) Serrez l'écrou de garniture. d) La buse usée et l'aiguille.	a) Lubrifiez. b) Lubrifiez. c) Réglez. d) Pour l'alimentation de pression, remplacez avec une nouvelle buse et l'aiguille.
 Mince, finition grossière de sable	a) Le pistolet a tenue trop loin de la surface. b) La pression d'atomisation trop élevée.	a) Le pistolet a tenu trop loin de la surface. b) La pression d'atomisation trop élevée.
 Épais, finition alvéolée ressemblant à l'écorce d'orange	Le pistolet a tenue trop près de la surface.	Déplacez le pistolet plus loin de la surface.
 Pas de pression dans le réservoir	a) Régulateur endommagé ou défectueux. b) Le clapet est coincé.	a) Remplacez le régulateur. b) Nettoyez ou remplacez le clapet.



**ATTENTION ET ENTRETIEN****Nettoyage Quotidien**

Les codes locaux peuvent demander des méthodes et l'équipement de nettoyage spécifiques. Suivez les codes locaux et les recommandations du fabricant pour l'utilisation et l'élimination des peintures de pulvérisation et du solvant.

**note:** Nettoyez le pistolet immédiatement après l'utilisation. La peinture et les autres matériaux séchent rapidement dans les petits passages rendant les armes à feu inutile en raison de la difficulté d'enlever la peinture durcie des passages à l'intérieur du pistolet.

1. Retirez et videz la tasse de peinture; et puis, rincez avec un solvant recommandé pour la peinture.
2. Remplissez la tasse de peinture avec du solvant propre et l'attachez au pistolet. Pulvérisez le solvant à travers le pistolet tout en agitant le pistolet vigoureusement. Essuyez l'extérieur du pistolet avec un chiffon imbibé de solvant. Répétez jusqu'à ce que le pistolet est propre.
3. Débranchez le pistolet de l'alimentation en air. Après la déconnexion, pointez le pistolet dans le réservoir de solvant usé et pressez à nouveau sur la gâchette pour vous assurer qu'aucun air ne reste.
4. Retirez le chapeau d'air et laissez tremper dans le solvant jusqu'il est propre. Utilisez une petite brosse pour les taches tenaces si c'est nécessaire. Nettoyant l'aiguille, les cure-dents ou les petites brosses peut être utilisé pour nettoyer les passages d'air.
 

**▲ AVERTISSEMENT** N'utilisez jamais les objets métalliques pour nettoyer les passages précisément forés. Les passages endommagés provoqueront la pulvérisation incorrecte.
5. Nettoyer les joints avec un chiffon imbibé de solvant.
 

**▲ AVERTISSEMENT** Ne plongez jamais les joints ou le corps du pistolet dans les solvants pour éviter des dommages matériels.
6. Après l'utilisation de l'eau pour nettoyer le pistolet, pulvérisez les essences minérales à travers le pistolet pour éviter la corrosion.
7. Nettoyez et rincez soigneusement le pistolet pour neutraliser tous les contaminants corrosifs pour le pistolet.
8. Utilisez une huile non silicone sur toutes les pièces mobiles lors de l'assemblage. Utilisez Vaseline® ou la graisse légère sur tous les raccords filetés avant le stockage.

**Nettoyage périodique**

En raison du mauvais nettoyage et de la peinture, il peut être nécessaire d'inspecter et de nettoyer les parts internes et le corps du pistolet.

1. Examinez les ouvertures dans le bouchon d'air et la pointe de fluide. Si c'est obstrué, retirez tous les joints toriques et laissez tremper le bouchon d'air ou de la pointe de fluide dans un solvant.
2. Nettoyant l'aiguille, une brosse, un cure-dent ou quelque chose de similaire peut être utilisé pour déloger la peinture séchée des trous et des passages.
 

**▲ AVERTISSEMENT** N'utilisez jamais les objets métalliques pour nettoyer les passages précisément forés. Les passages endommagés provoqueront la pulvérisation incorrecte.

10

3. Retirez et vérifiez l'aiguille de fluide pour une usure excessive à la pointe et à la rectitude.

**Note:** si la pointe de l'aiguille est usée plus sur un côté que l'autre, soit l'aiguille a été tordue ou le corps du pistolet a été tombé ou éliminé de la ligne. Il n'y a pas d'ajustements qui peuvent être apportées à un corps de pistolet plié. Testez l'aiguille en roulant sur une surface plane. Remplacez si c'est nécessaire.

4. Vérifiez et remplacez les joints toriques et les joints endommagés. Les joints toriques et les joints peuvent être nettoyés mais pas trempés dans un solvant.
5. Dévissez les écrous d'emballage et remplacez l'emballage seulement si l'une fuite ne sera pas arrêter lorsque l'écrou est serré. Ne serrez pas trop un écrou d'emballage parce que cela va limiter le mouvement de l'aiguille.
6. Remontez dans l'ordre inverse de ci-dessus et utilisez une huile non-silicone sur les pièces mobiles. Appliquez Vaseline® ou la graisse légère sur les raccords filetés et les raccords du tuyaux.

**Stokage**

1. Lorsque le pistolet n'est pas utilisé, tournez le bouton de réglage de fluide dans le sens antihoraire pour ouvrir ce qui réduira la tension du ressort sur la pointe de fluide de l'aiguille.
2. Le pistolet doit être bien nettoyé et légèrement graissé.
3. Stokage le pistolet dans un endroit sec et sûr, hors de la portée des enfants.

11

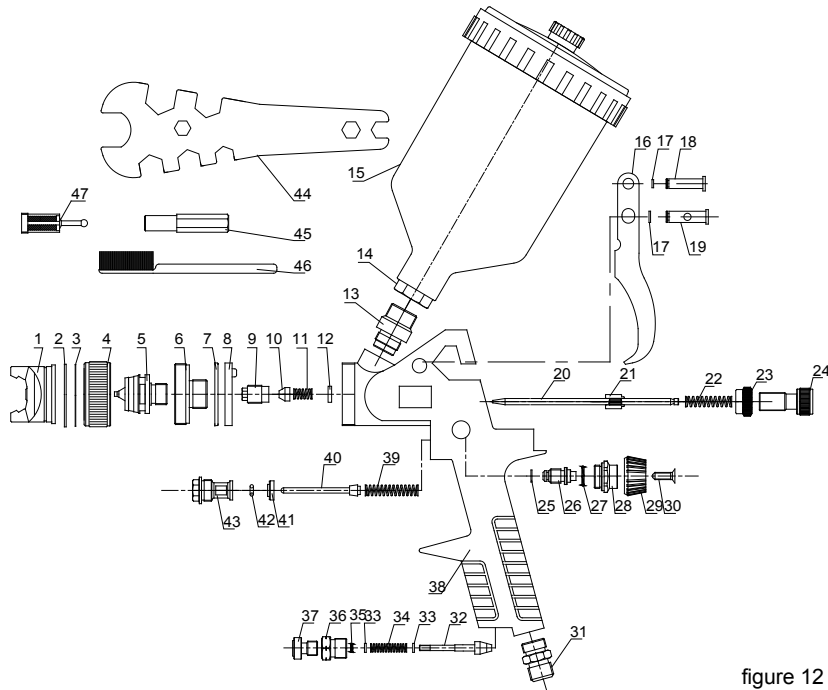
**ILLUSTRATION DES PARTS DE REPARATION POUR 48PX88**

figure 12

**Pour les Parts de Réparation, téléphonez  
au 1-800-323-0620**  
**24 heures un jour – 365 jours une année**

Fournissez les informations suivantes, s'il vous plaît:

- Numéro du modèle
- Numéro de série (s'il y a)
- Description et numéro de la part comme indiqué dans la liste des parts

12

**ILLUSTRATION DES PARTS DE REPARATION POUR 48PX88**

N° de réf.	Description des Parts	Part disponible	Qté	N° de réf.	Description des Parts	Part disponible	Qté
1	Bouchon d'air	*	1	25	Retenue d' encliquetage		1
2	Retenue du bouchon	*	1	26	Vanne de réglage du motif		1
3	Joint d'étanchéité	*	1	27	Joint torique		1
4	Anneau du bouchon d'air	*	1	28	Base de réglage de motif		1
5	Buse	*	1	29	Bouton de commande de motif		1
6	Siège de la buse		1	30	Vis		1
7	Joint d'étanchéité		1	31	Entrée d'air		1
8	Anneau de dérivation d'air		1	32	Vanne de réglage de l'air		1
9	Vis de l'aiguille		1	33	Coussin		2
10	L'emballage de l'aiguille		1	34	Ressort		1
11	Ressort		1	35	Joint torique		1
12	Joint d'étanchéité		1	36	Base de Valve		1
13	Raccord d'entrée de fluide		1	37	Bouton de contrôle de l'air		1
14	Raccord de sortie de fluide		1	38	Corps du pistolet		1
15	Tasse de peinture		1	39	Ressort		1
16	Gâchette		1	40	Aiguille de réglage de motif		1
17	Retenue d' encliquetage		2	41	Bague d'étanchéité		1
18	Boulon		1	42	Joint torique		1
19	Boulon		1	43	Manchon d'aiguille		1
20	Pointeau	*	1	44	Clé		1
21	Siège d'aiguille	*	1	45	Clé auxiliaire		1
22	Ressort		1	46	Brosse de nettoyage		1
23	Base de l'aiguille		1	47	Filtre à peinture		1
24	Bouton de contrôle de fluide		1				

13

## **GARANTIE LIMITEE D'UNE ANNEE DE SPEEDAIRE**

**SPEEDAIRE GARANTIA LIMITADA DE UN AÑO.** A- tous les modèles de produits de Speedaire Rcouverts dans ce manuel par cette garantie limitée sont garantis par Dayton Electric Mfg.Co. ("Dayton") à l'utilisateur d'origine contre les défauts dans la maîtrise ou les matériaux sous les utilisations normales d'utilisation pour une année après la date de l'achat. Si le produit fait partie d'un appareil, seule la partie qui est défectueux est soumis à cette garantie. Aucun produit ou aucune part qui est déterminée à être défectueux dans le matériel ou dans la maîtrise et retourné à un centre de service agréé, comme Dayton ou la personne désignée par Dayton désigne, coûts de transport prépayés, sera, comme remède exclusive, réparé ou remplacé avec un produit ou partie neuf ou reconditionné de l'utilité égale ou un remboursement complet donné, au choix de Dayton ou de la personne désignée par Dayton, sans frais. Pour les procédures de réclamation de garantie limitée, voyez "service de garantie" ci-dessous. Cette garantie est nulle si il y a des preuves d'une mauvaise utilisation, une mauvaise réparation, mauvaise-installation, un abus ou l'altération. Cette garantie ne couvre pas l'usure normale des Produits de Speedaire ou des portions de ceux, ou des produits ou des portions de ceux qui sont consommables en utilisation normale. Cette garantie limitée donne aux acheteurs des droits légaux spécifiques, et et vous pouvez également avoir d'autres droits qui varient d'une juridiction à l'autre.

**EXCLUSIONS DE GARANTIE ET LIMITATIONS DE RESPONSABILITE RELATIVES A TOUS LES CLIENTS POUR TOUTE LA LIMITATION DES PRODUITS DE LA RESPONSABILITE.** DANS LA MESURE PERMISE PAR LA LOI APPLICABLE, LA RESPONSABILITE DE GRAINGER POUR LES DOMMAGES INDIRECTS ET INCITENDAX EST EXPRESSEMENT DECLINEE. LA RESPONSABILITE DE GRAINGER A TOUS LES EVENEMENTS EST LIMITEE ET NE DOIT PAS DEPASSER LE PRIX D'ACHAT PAYE.

**EXONERATION DE GARANTIE.** UN EFFORT A ETE FAIT PREUVE DE DILIGENCE POUR FOURNIR DES INFORMATIONS DE PRODUITS ET ILLUSTRER LES PRODUITS DE CETTE LITTÉRATURE PRECISION; CEPENDANT, CES INFORMATIONS ET L'ILLUSTRATION SONT DANS LE SEUL BUT D'IDENTIFICATION, ET N'EXPRIMEZ PAS NI IMPLIQUEZ UNE GARANTIE QUE LES PRODUITS SERONT FORCEMENT CONFORME AUX ILLUSTRATIONS OU A LA DESCRIPTION SAUF COMME PREVU CI-DESSOUS, AUCUNE GARANTIE OU AFFIRMATION DE FAIT, EXPRESSE OU IMPLICITE, AUTRE QUE COMME INDIQUE DANS LA "GARANTIE LIMITEE" CI-DESSUS EST FAITE AUTORISE PAR DAYTON.

**L'ADEQUATION DU PRODUIT.** DE NOMBREUSE JURIDICTIONS ONT DES CODES ET REGLEMENTS REGISSANT LA VENTE, LA CONSTRUCTION, L'INSTALLATION ET/OU UTILISATION DE PRODUITS POUR CERTAINS USAGES. QUI PEUT VARIER DE CELLES DES REGIONS VOISINES. BIEN QUE DES TENTATIVES SOIENT FAITES POUR ASSURER QUE LES PRODUITS SONT CONFORMES A CES CODES. GRAINGER NE PEUT PAS GARANTIR LA CONFORMITE, ET NE PEUT PAS ETRE RESPONSIBLE DE LA FACON DONT LE PRODUIT EST INSTALLE OU UTILISE. AVANT L'ACHAT ET L'UTILISATION D'UN PRODUIT, REVOIR LES SPECIFICATIONS / SECURITE, ET TOUS LES CODES ET LES REGLEMENTATIONS NATIONALES ET LOCALES EN VIGUEUR, ET ETRE SUR QUE LE PRODUIT, L'INSTALLATION ET L'UTILISATION SERONT COMFORMES AVEC EUX.

**LES CONSOMMATEURS SEULEMENT.** CERTAINS ASPECTS DE DESISTEMENT NE SONT PAS APPLICABLES AUX PRODUITS DE CONSOMMATION VENDUS AUX CONSOMMATEURS: (A) CERTAINES JURIDICTIONS NE PERMETTENT PAS L'EXCLUSION OU LA LIMITATION DES DEMANDES INCITENDALES OU INDIRECTES. DONC, LA LIMITATION OU L'EXCLUSION CI-DESSUS PEUVENT NE PAS VOUS CONCERNER; (B) EGLEMENT, CERTAINES JURIDICTIONS NE PERMETTENT PAS A UNE LIMITATION DE LA DUREE D'UNE GARANTIE DE L'IMPLIIDE DURE, AINSI LA LIMITATION CI-DESSUS PEUVENT NE PAS VOUS CONCERNER. ET (C) PAR LA LOI, PENDANT LA PERIODE DE CETTE GARANTIE LIMITEE, ET LES GARANTIES IMPLICITES DE QUALITE MARCHANDE OU D'ADEQUATION A UN USAGE DE PARTICULAIRE APPLICABLE AUX PRODUITS DE CONSOMMATION ACHETES PAR LES CLIENTS, NE PEUT PAS ETRE EXCLUE OU AUTREMENT PAS ACCORDE.

CETTE GARANTIE LIMITEE EST VALABLE SEULEMENT POUR LES PRODUITS DE SPEEDAIRE ACHETES PAR LES ACHETEURS DES ETATS-UNIS POUR LA LIVRAISON AUX ETATS-UNIS.

### **SERVICE DE GARANTIE**

Pour obtenir le service de garantie si vous avez acheté le produit couvert directement de W.W.Grainger,Inc. ("Grainger"), (i) écrivez ou téléphonez ou visitez la branche de Grainger locale à partir de laquelle le produit a été acheté ou une autre branche Grainger près de vous ( voir [www. Grainger.com](http://www.Grainger.com) pour une liste des branches de Grainger); ou (ii) contactez Grainger en allant à [www. Grainger.com](http://www. Grainger.com) et cliquant sur "contactez avec nous" lien en haut de la page, et puis cliquant sur "Email nous" lien; ou (iii) téléphonez à la service de client (gratuit) au 1-888-261-8649. Pour obtenir le service de garantie si vous avez acheté le produit couvert d'un autre distributeur ou revendeur. (i) allez à [www. Grainger.com](http://www. Grainger.com) pour le service de garantie; (ii) écrivez ou téléphonez ou visitez la branche de Grainger près de vous; (iii) téléphonez à la service de client (gratuit) au 1-888-261-8649. Dans tous les cas, vous devez fournir, dans la mesure disponible, la date d'achat, le numéro de facture originale, le nombre d'actions, d'une description du défaut et rien d'autre spécifié dans cette Garantie limitée d'une année de Westward. Vous devez être amené à envoyer le produit pour inspection à vos frais. Vous pouvez suivre l'état d'avancement des inspections et des corrections dans les mêmes moyens. Le titre et le risque de perte passent à l'acheteur lors de la livraison au transporteur commun, de sorte que si le produit a été endommagé en transit vers vous, la revendication d'ille avec le transporteur, et non le détaillant ou Grainger ou Dayton. Pour l'information sur la garantie pour les acheteurs et/ou la livraison à l'extérieur des Etats-Unis, contactez s'il vous plaît:

**Dayton Electric Mfg. Co.,**

**100 Grainger Parkway, Lake Forest, IL 60045 LES ETATS-UNIS**

**Ou téléphonez au +1-888-361-8649**