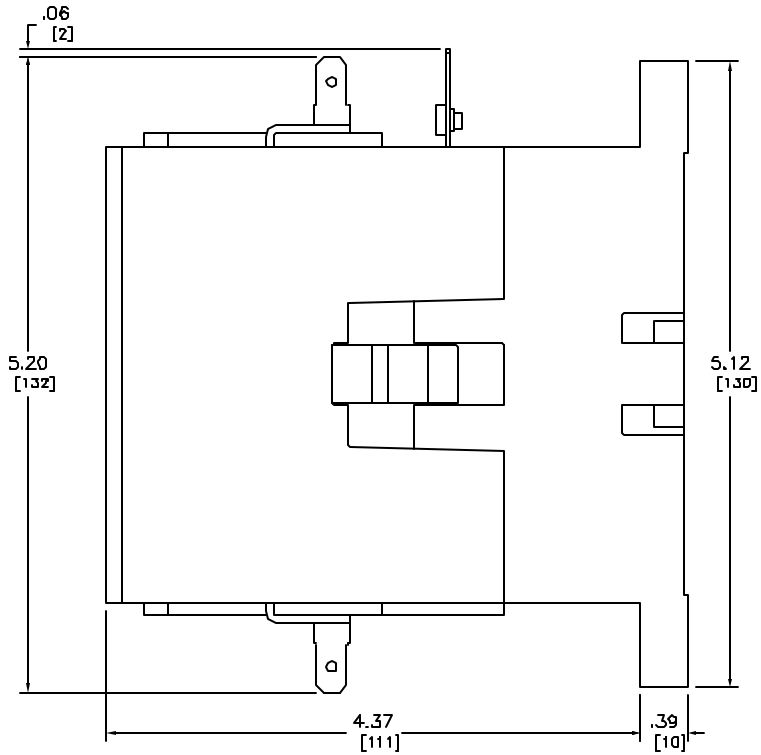
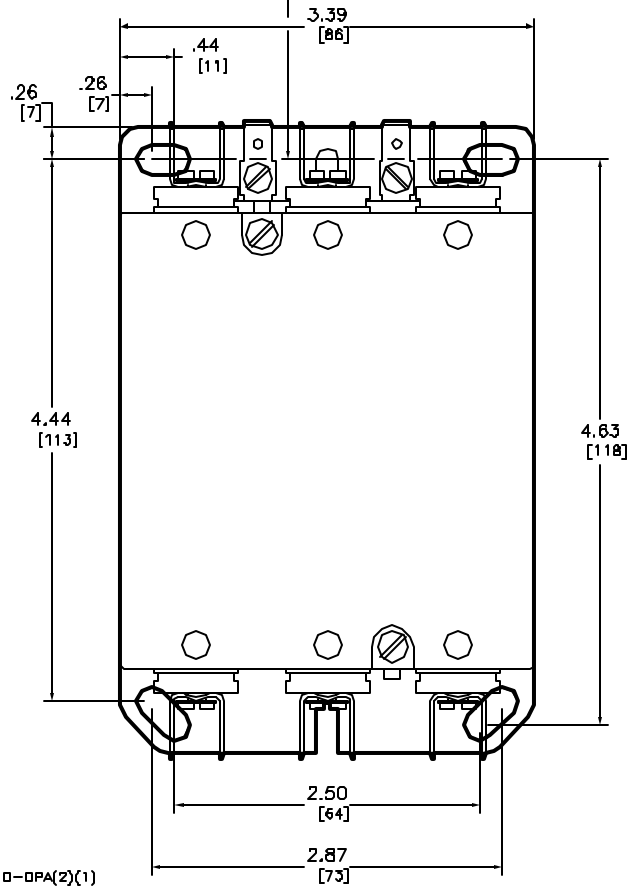


ELECTRICAL CLEARANCE/WIRE BENDING SPACE

5.0D  
[127]

MINIMUM TO WALL OR BARRIER TO INSURE ADEQUATE WIRE BENDING SPACE TO LUG SURFACE WHEN THE MAXIMUM WIRE SIZE IS USED. REF. NEC 430-1D



2 AND 3-POLE DEFINITE PURPOSE CONTACTOR  
600 VAC, 60-60 HZ

FULL LOAD AMPERES CODE (2)		POWER TERMINALS	
TYPE	FLA	TYPE OF LUG	WIRE SIZES(*) MIN-MAX
72 (2 POLE)	75 FLA	BOX LUG	#14-#1/D
73 (3 POLE)			
92 (2 POLE)	90 FLA	BOX LUG	#14-#1/D
93 (3 POLE)			

\* = Solid or stranded copper wires only.

COIL VOLTAGE CODE (1)	VOLTAGE	
	60 HZ	50 HZ
V14	24	24
V02	120	110
V09	208-240	220
V04	277	-
V06	480	440
V07	600	550

QUICK CONNECT TERMINALS AND BINDER HEAD SCREWS FOR EASY WIRING.

Catalog Number: 8910-DPA(2)(1)  
 Ratings: SEE CHART  
 UL File/CCN: E42240/CCN NLDX2  
 CSA File/Class: LR25490/321104  
 Meets Standards: -  
 Weight: 3.4 LB  
 Wire Size: SEE CHART  
 Terminal torque: 60 LB.-in  
 Mounting Hwd.: (4) #10 or M5 screws

DUAL DIMENSIONS: INCHES  
MILLIMETERS

DEFINITE PURPOSE CONTACTOR (2 AND 3 POLE)  
CLASS 8910 TYPE DPA (2) (1)



DWG# E0310501-01  
NO.