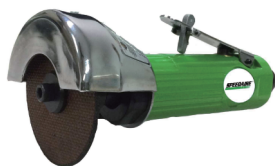


®

SPEEDAIRE



Cut-off Tool

Models 48MA05, 48MA06



PLEASE READ AND SAVE
THESE INSTRUCTIONS.
READ CAREFULLY
BEFORE ATTEMPTING
TO ASSEMBLE, INSTALL,
OPERATE OR MAINTAIN THE
PRODUCT DESCRIBED.

PROTECT YOURSELF AND
OTHERS BY OBSERVING ALL
SAFETY INFORMATION. FAILURE
TO COMPLY WITH INSTRUCTIONS
COULD RESULT IN PERSONAL
INJURY AND/OR PROPERTY DAMAGE!
RETAIN INSTRUCTIONS FOR FUTURE
REFERENCE.

PLEASE REFER TO BACK COVER
FOR INFORMATION REGARDING
DAYTON'S WARRANTY AND OTHER
IMPORTANT INFORMATION.

Model #: _____

Serial #: _____

Purch. Date: _____

Form 5S0001 / Printed in 04/16
STC100 Version 00 04/2016
© 2013 Dayton Electric Manufacturing Co.
All Rights Reserved



BEFORE YOU BEGIN

Personal protection equipment



- Carefully read this manual before using the tool.
- All persons in the work area must always wear safety glasses with side guards in order to prevent eye injuries.



- Hearing protection must also be worn to prevent a possible hearing loss.

UNPACKING

Unpack:

- After unpacking unit, inspect carefully for any damage that may have occurred during transit. Check for loose, missing, or damaged parts. Shipping damage claim must be filed with carrier.

Contents:



- 48MA06 1pc Cut-off Tool
8pcs Cutting Wheel
1pc 3/16" Span Wrench
1pc 14mm Hex Wrench
1pc Blow Mold Case
- Operating Instructions and Parts Manual (3)



- See General Safety Instructions on page 2, and Cautions and Warnings as shown.

GENERAL SAFETY INFORMATION

This manual contains information that is very important to know and understand. This information is provided for SAFETY and to PREVENT EQUIPMENT PROBLEMS. To help recognize this information, observe the following symbols.

⚠ CAUTION

Caution indicates a potentially hazardous situation which, if not avoided, will result in death or serious injury.

⚠ WARNING

Warning indicates a potentially hazardous situation which, if not avoided, could result in death or serious injury.

⚠ DANGER

Danger indicates an imminently hazardous situation which, if not avoided, will result in death or serious injury.

NOTE: Notice indicates important information that, if not followed, may cause damage to equipment.

⚠ DANGER

Entanglement Hazards, Keep away from rotating drive.

⚠ CAUTION

Do not wear jewelry or loose clothing. Choking can occur if neckwear is not kept away from the tool and accessories. Scalping can occur if hair is not kept away from the tool and accessories. Avoid direct contact with accessories during use. Use only proper accessories designed for use with pneumatic screwdrivers, nut runners, ratchets and pulse tools.

⚠ DANGER

Projectile Hazards: Always wear impact-resistant eye and face protection when involved with or near the operation, repair or maintenance of the tool or changing accessories on the tool. Be sure all others in the area are wearing impact-resistant eye and face protection.

⚠ DANGER

Even small projectiles can injure eyes and cause blindness. Be sure to use a barrier (such as under a heavy work table) to stop any possible broken parts.

⚠ DANGER

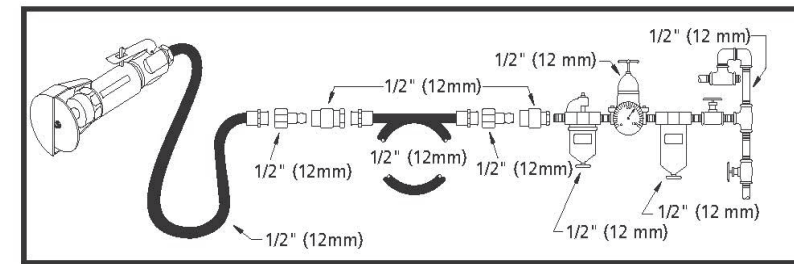
Workplace Hazards: Slipping/Tripping/Falling is a major cause of serious injury or death. Beware of excess hose left on the walking or work surface. High sound levels can cause permanent hearing loss. Maintain a balanced body position and secure footing. Repetitive work motions, awkward positions and exposure to vibration can be harmful to hands and arms. Operators and maintenance personnel must be physically able to handle the bulk, weight and power of this tool.

SPECIFICATIONS

Grainger Items No.	Speed (RPM)	Motor Horsepower	Air Inlet NPT (in.)	Required Pressure (psi)	Weight (lb)
48MA05	20,000	1/2	1/4	90	1.6
48MA06	20,000	1/2	1/4	90	1.6

Dimensions (inch)

Grainger Items No.	Length (In./mm)	Width (In./mm)	Height (In./mm)
48MA05	7.5"	3.6"	3.5"
48MA06	7.5"	3.6"	3.5"

**Air Input Diagrams**



INSTALLATION INSTRUCTIONS

1. Designed to operate on 90 PSI, lower pressure (below 90 PSI) will reduce performance of the tool while higher air pressure (over 90 PSI) raises the performance of the tool beyond its rated capacity and could cause serious damage to tool and user.
2. Always use clean dry air. Excessive moisture and dirt will greatly reduce the life of any air motor. We recommend the installation of an inline filter regulator- lubricator as close to the tool as possible.
3. Always use clean dry air. Excessive moisture and dirt will greatly reduce the life of any air motor. We recommend the installation of an inline filter regulator- lubricator as close to the tool as possible.



TROUBLESHOOTING

Symptoms	Possible Causes	Corrective Actions
Tool runs slowly or will not operate	1. Grit or gum in tool	1. Flush tool with quality air tool oil, gum solvent, or an equal mixture of SAE 10 motor oil and kerosene. If quality oil is not used, lubricate tool after cleaning.
	2. Low air pressure	2. Adjust compressor regulator to tool maximum while tool is running free.
	3. Air hose leaks	3. Tighten and seal hose fittings if leaks are found.
	4. Pressure drops	4a. Be sure the hose is properly sized. Long hoses or tools using large volumes of air may require a hose with an I.D. of 1/2" or larger depending on total hose length. 4b. Do not use multiple number of hoses connected with quick connect fittings. This causes additional pressure drops and reduces tool power. Connect hoses directly together.
Moisture blowing out	1. Water in tank	1. Drain tank. Oil tool and run until no water is evident. Oil tool again and run 1-2 seconds.
	2. Water in the air lines/hoses	2a. Install a water separator/filter. NOTE: Separators only work properly when the air passing through the separators is cool. Locate the separator/filter as far as possible from the compressor. 2b. Install an air dryer.

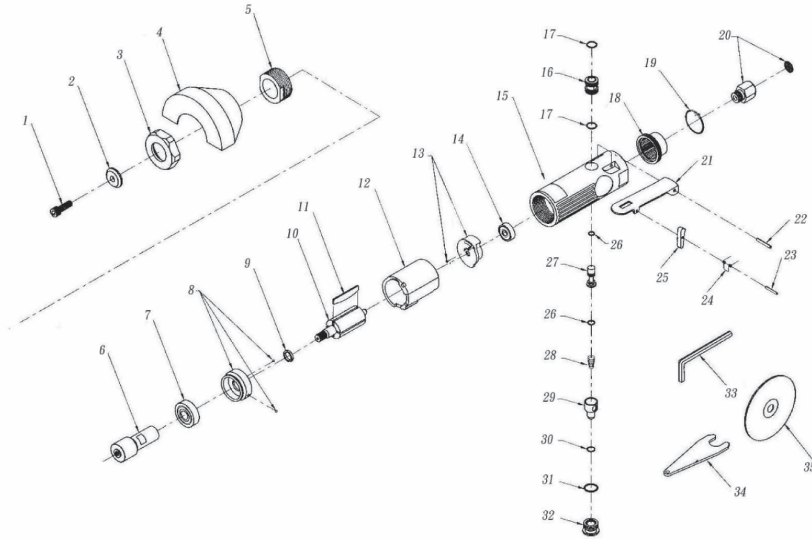
MAINTENANCE

Lubrication

Use an air line lubricator, two drops per minute. If an air line lubricator cannot be used, add air motor oil to the inlet once a day.



REPAIR PARTS ILLUSTRATION FOR 48MA05 & 48MA06



For Repair Parts, call 1-800-323-0620
24 hours a day - 365 days a year

Please provide following information:

- Model number
- Serial number (if any)
- Part description and number as shown in parts list



REPAIR PARTS ILLUSTRATION FOR 48MA05 & 48MA06

Reference Number	Description	Part Number	Qty.
1	Cap Screw	48MA05001G	1
2	Spindle Plate	48MA05002G	1
3	Guard Hex Nut		1
4	Disc Guard	48MA05003G	1
5	Retainer Nut		1
6	Spindle	48LZ99004G	1
7	Front Bearing	48LZ99005G	1
8	Front End Plate	48LZ99006G	1
9	Rotor Bushing		1
10	Rotor		1
11	Rotor Blade	48LZ99007G	4
12	Cylinder	48LZ99008G	1
13	Rear End Plate	48LZ99009G	1
14	Bearing	48LZ99010G	1
15	Housing		1
16	Throttle Valve Bushing	48LZ99023G	1 ★
17	Bushing O-ring		2 ★
18	Exhaust Defuser	48LZ99011G	1
19	O-Ring		1 ◇
20	Air Inlet W/ Screen	48LZ99012G	1 ◇
21	Throttle Lever	48LZ99013G	1 ◆
22	Lever Roll Pin	48LZ92005G	1
23	Roll Pin		1 ◆
24	Spring		1 ◆
25	Safety Catch		1 ◆
26	O-Ring		2
27	Valve Stem		1
28	Spring	48LZ99018G	1
29	Regulator	48LZ99019G	1 ■
30	Regulator O-ring		1 ■
31	Valve Cap O-ring		1 ☆
32	Valve Cap	48LZ99020G	1 ☆
33	Allen Wrench	48MA05004G	1
34	Open End Wrench	48MA05005G	1
35	Cut-Off Wheel	48MA05006G	1

- ★ Throttle Valve Bushing Kit
- ◇ Air Inlet w/ Screen Kit
- ◆ Throttle lever assemble
- Regulator Kit
- ☆ Valve Cap

(*) Parts listed without model are not offered

 **WARNING:**

Some dust created by power sanding, sawing, grinding, drilling, and other construction activities contains chemicals known to cause cancer, birth defects or other reproductive harm. Some examples of these chemicals are:

- Lead from lead-based paints,
- Crystalline silica from bricks and cement and other masonry products, and
- Arsenic and chromium from chemically-treated lumber.

To reduce your exposure to these chemicals; work in a well-ventilated area, and work with approved safety equipment, such as those dust masks that are specially designed to filter out microscopic particles.

 **ADVERTENCIA:**

Parte del polvo proveniente del uso de lijadoras mecánicas, de la molienda, perforación y otras actividades de la construcción contiene químicos que se sabe causan cáncer, defectos congénitos u otros daños en el sistema reproductivo:

- El plomo de las pinturas a base de plomo;
- La sílice cristalina que se encuentra en ladrillos y cemento, y en otros productos de albañilería; y
- El arsénico y el cromo de las maderas tratadas con químicos.

Para reducir su exposición a estos químicos: trabaje en áreas bien ventiladas, y utilice equipo de seguridad aprobado, como las máscaras para polvo que son especialmente diseñadas para filtrar las partículas microscópicas.

 **AVERTISSEMENT:**

Certaines poussières générées par du matériel électrique de ponçage, de sciage, de meulage, de perçage ou par d'autres activités de construction comportent des produits chimiques connus pour avoir des liens avec le cancer, les anomalies congénitales ou autres dommages sur le fœtus. Certains exemples de ces produits chimiques sont :

- le plomb provenant des peintures au plomb
- la silice cristalline provenant des briques ou du ciment et d'autres produits de maçonnerie
- l'arsenic et le chrome provenant de bois traité chimiquement.

Afin de réduire votre exposition envers ces substances chimiques il est recommandé de travailler dans un endroit bien aéré et d'être muni de matériel autorisé de protection, tels que des masques anti poussières qui sont spécialement conçus pour intercepter les particules microscopiques.

SPEEDAIRE ONE-YEAR LIMITED WARRANTY

SPEEDAIRE ONE-YEAR LIMITED WARRANTY. All Speedaire® product models covered in this manual are warranted by Dayton Electric Mfg. Co. ("Dayton") to the original user against defects in workmanship or materials under normal use for one year after date of purchase. If the Speedaire Product is part of a set, only the portion that is defective is subject to this warranty. Any product or part which is determined to be defective in material or workmanship and returned to an authorized service location, as Dayton or Dayton's designee designates, shipping costs prepaid, will be, as the exclusive remedy, repaired or replaced with a new or reconditioned product or part of equal utility or a full refund given, at Dayton's or Dayton's designee's option, at no charge. For limited warranty claim procedures, see "Warranty Service" below. This warranty is void if there is evidence of misuse, mis-repair, mis-installation, abuse or alteration. This warranty does not cover normal wear and tear of Speedaire Products or portions of them, or products or portions of them which are consumable in normal use. This limited warranty gives purchasers specific legal rights, and you may also have other rights which vary from jurisdiction to jurisdiction.

WARRANTY DISCLAIMERS AND LIMITATIONS OF LIABILITY RELATING TO ALL CUSTOMERS FOR ALL PRODUCTS

LIMITATION OF LIABILITY. TO THE EXTENT ALLOWABLE UNDER APPLICABLE LAW, DAYTON'S LIABILITY FOR CONSEQUENTIAL AND INCIDENTAL DAMAGES IS EXPRESSLY DISCLAIMED. DAYTON'S LIABILITY IN ALL EVENTS IS LIMITED TO AND SHALL NOT EXCEED THE PURCHASE PRICE PAID.

WARRANTY DISCLAIMER. A DILIGENT EFFORT HAS BEEN MADE TO PROVIDE PRODUCT INFORMATION AND ILLUSTRATE THE SPEEDAIRE PRODUCTS IN THIS LITERATURE ACCURATELY; HOWEVER, SUCH INFORMATION AND ILLUSTRATIONS ARE FOR THE SOLE PURPOSE OF IDENTIFICATION, AND DO NOT EXPRESS OR IMPLY A WARRANTY THAT THE SPEEDAIRE PRODUCTS ARE MERCHANTABLE, OR FIT FOR A PARTICULAR PURPOSE, OR THAT THE SPEEDAIRE PRODUCTS WILL NECESSARILY CONFORM TO THE ILLUSTRATIONS OR DESCRIPTIONS. EXCEPT AS PROVIDED BELOW, NO WARRANTY OR AFFIRMATION OF FACT, EXPRESSED OR IMPLIED, OTHER THAN AS STATED IN THE "LIMITED WARRANTY" ABOVE IS MADE OR AUTHORIZED BY DAYTON.

PRODUCT SUITABILITY. MANY JURISDICTIONS HAVE CODES AND REGULATIONS GOVERNING SALES, CONSTRUCTION, INSTALLATION, AND/OR USE OF PRODUCTS FOR CERTAIN PURPOSES, WHICH MAY VARY FROM THOSE IN NEIGHBORING AREAS. WHILE ATTEMPTS ARE MADE TO ASSURE THAT SPEEDAIRE PRODUCTS COMPLY WITH SUCH CODES, DAYTON CANNOT GUARANTEE COMPLIANCE, AND CANNOT BE RESPONSIBLE FOR HOW THE PRODUCT IS INSTALLED OR USED. BEFORE PURCHASE AND USE OF A PRODUCT, REVIEW THE SAFETY/SPECIFICATIONS, AND ALL APPLICABLE NATIONAL AND LOCAL CODES AND REGULATIONS, AND BE SURE THAT THE SPEEDAIRE PRODUCT, INSTALLATION, AND USE WILL COMPLY WITH THEM.

CONSUMERS ONLY. CERTAIN ASPECTS OF DISCLAIMERS ARE NOT APPLICABLE TO CONSUMER PRODUCTS SOLD TO CONSUMERS; (A) SOME JURISDICTIONS DO NOT ALLOW THE EXCLUSION OR LIMITATION OF INCIDENTAL OR CONSEQUENTIAL DAMAGES, SO THE ABOVE LIMITATION OR EXCLUSION MAY NOT APPLY TO YOU; (B) ALSO, SOME JURISDICTIONS DO NOT ALLOW A LIMITATION ON HOW LONG AN IMPLIED WARRANTY LASTS, SO THE ABOVE LIMITATION MAY NOT APPLY TO YOU; AND (C) BY LAW, DURING THE PERIOD OF THIS LIMITED WARRANTY, ANY IMPLIED WARRANTIES OF MERCHANTABILITY OR FITNESS FOR A PARTICULAR PURPOSE APPLICABLE TO CONSUMER PRODUCTS PURCHASED BY CONSUMERS, MAY NOT BE EXCLUDED OR OTHERWISE DISCLAIMED.

THIS LIMITED WARRANTY ONLY APPLIES TO SPEEDAIRE PRODUCTS PURCHASED BY UNITED STATES PURCHASERS FOR DELIVERY IN THE UNITED STATES.

WARRANTY SERVICE

To obtain warranty service if you purchased the covered product directly from W.W. Grainger, Inc. ("Grainger"), (i) write or call or visit the local Grainger branch from which the product was purchased or another Grainger branch near you (see www.grainger.com for a listing of Grainger branches); or (ii) contact Grainger by going to www.grainger.com and clicking on the "Contact Us" link at the top of the page, then clicking on the "Email us" link; or (iii) call Customer Care (toll free) at 1-888-361-8649. To obtain warranty service if you purchased the covered product from another distributor or retailer, (i) go to www.grainger.com for Warranty Service; (ii) write or call or visit a Grainger branch near you; or (iii) call Customer Care (toll free) at 1-888-361-8649. In any case, you will need to provide, to the extent available, the purchase date, the original invoice number, the stock number, a description of the defect and anything else specified in this Speedaire One-Year Limited Warranty. You may be required to send the product in for inspection at your cost. You can follow up on the progress of inspections and corrections in the same ways. Title and risk of loss pass to buyer on delivery to common carrier, so if product was damaged in transit to you, file claim with carrier, not the retailer, Grainger or Dayton. For warranty information for purchasers and/or delivery outside the United States, please contact:

**Dayton Electric Mfg. Co.,
100 Grainger Parkway, Lake Forest, IL 60045 U.S.A.
or call +1-888-361-8649**

®

SPEEDAIRE



Cortadora

Models 48MA05, 48MA06

POR FAVOR LEA Y GUARDE ESTAS INSTRUCCIONES. LEA DETENIDAMENTE ANTES DE INTENTAR ENSAMBLAR, INSTALAR, OPERAR O HACERLE MANTENIMIENTO AL PRODUCTO DESCRITO.

PROTEJA SU INTEGRIDAD Y LA DE LOS DEMÁS SIGUIENDO TODA LA INFORMACIÓN DE SEGURIDAD. SI NO CUMPLE LAS INSTRUCCIONES ¡SE PUEDEN PRESENTAR LESIONES PERSONALES O DAÑOS MATERIALES! MANTENGA ESTAS INSTRUCCIONES PARA REFERENCIA FUTURA.

CONSULTE EL RESPALDO PARA OBTENER INFORMACIÓN RELACIONADA CON LA GARANTÍA DE DAYTON Y OTRA INFORMACIÓN IMPORTANTE.

Modelo #: _____

Número de serie #: _____

Fecha de compra: _____

Formulario 5S0001 / Impreso en 04/16
STC100/ Versión 00 04/2016
© 2013 Dayton Electric Manufacturing Co.
Reservados todos los derechos

ANTES DE EMPEZAR

Equipo de protección personal



- Lea detenidamente este manual antes de usar la herramienta.
- Todas las personas en el área de trabajo siempre deben usar gafas de seguridad con protectores laterales con el fin de prevenir lesiones en los ojos.



- También se debe usar protección auditiva para evitar posibles lesiones auditivas.

DESEMPACAR

Déballage:

- Lors du déballage de l'outil, vérifiez-le soigneusement pour recherché tout dommage susceptible de s'être produit en cours de transport. Rechercher également toute pièce desserrée, manquante ou endommagée.

Contenido:



- 48MA06 1pc Cortadora
8pcs Disco de Corte
1pc 3/16" Llave de extremo abierto
1pc 14mm Llave Hex
1pc Caja moldeada
- Operating Instructions and Parts Manual (3)



- Consulte las instrucciones generales de seguridad en la página 2 y las precauciones y advertencias según como se muestra.

GENERAL MEDIDAS DE SEGURIDAD

Este manual Conliene informacion que es muy importante que sepa y comprenda. Esta informacion se la suministramos como medida de SEGURIDAD y para EVITAR PROBLEMAS CON EL EQUIPO. Debe reconocer los siguientes simbois.

▲ PELIGRO *Esto is indlca que hay uns situacion inmediara que le oceslonarfa la muerts o harfdes de gravedad.*

▲ ADVERTENCIA *Esto is indlca que hay una situacion que PODRIA oceslonarfa la muerte o heridas de gravedad.*

▲ PRECAUCION *Esto is indlca que hay una situacion que PODRIA ocesion- arfa heridas no muy graves.*

NOTE: Esto le indlca una informacion importante, que de no segutrla, le podrla ocasionar daros al equplo.

▲ PRECAUCION *Riesgo De Aprisionamiento No se acerque a la broca ni al portabrocas mientras rotan No lleve joyas ni ropas holgadas. Puede cortarse o quemarse si toca la broca, el cincel del taladro, o la superficie de trabajo. Utilice presión de taladro ntermitente para evitar que salten esquirilas cortantes. No acerque el cabello a la herramienta o sus accesorior, corre el riesgo de perder un mechón o parte del cuero cabelludo.*

▲ PELIGRO *Riesgos De Emisión De proyectiles Utilice siempre protección facial y ocular resistente a impactos si trabaja con la herramienta, cerca de ella, en su reparación o mantenimiento o en el cambio de accesorios. Asegúrese de que todas las personas cercanas a la herramienta llevan protección facial y ocular resistente a impactos.*

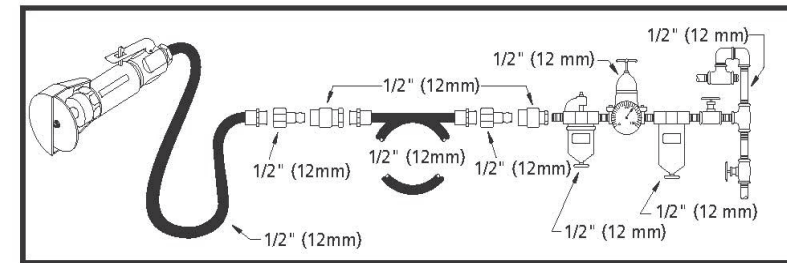
▲ PELIGRO *nccluso los proyectiles de tamañ o reducido pueden dañar el ojo y producir ceguera. Riesgos En El Lugar De Trabajo Los resbalones, caídas y tropiezos son uno de los principales motivos de accidentes laborales graves y muertes. Tenga mucho cuidado de no tender superficie de trabajo o en lugares de excesivas mangueras de aire en la paso. Mantenga una posición corporal equilibrada y asiente firmemente los pies en el suelo. Los sonidos a gran volumen pueden producir pérdidas permanentes de capacidad auditiva. Utilica las de sanidad laboral aplicables. Los movimientos repetitivos, las posturas forzadas y la exposición a vibraciones pueden ser perjudiciales para las manos y los brazos.*

CARACTÉRISTIQUES TECHNIQUES

Modelo	Velocidad Libre	Potencia de motor HP	Capacidad de Perno NPT (in.)	Presion d'air maximum (psi)	Peso (lb)
48MA05	20,000	1/2	1/4	90	1.6
48MA06	20,000	1/2	1/4	90	1.6

Dimensiones (inch)

Modelo	Longitud	Anchura	Altura
48MA05	7.5"	3.6"	3.5"
48MA06	7.5"	3.6"	3.5"



Configuration recommandée de la conduit d'alimentation en air

INSTALACIÓN INSTRUCCIONES

1. La herramienta ha sido diseñada para operar a 620 kPa, por lo tanto, la presión más baja (por debajo de 620 kPa) reducirá su rendimiento y la presión de aire más alta (sobre 620 kPa) aumentará el rendimiento de la herramienta por sobre su capacidad nominal, lo que podría dañarla gravemente o lesionar al usuario.
Siempre use aire limpio y seco.
2. *Cualquier motor de aire. considerablemente la duración de La humedad excesiva y la mugre reducen* Recomendamos la instalación en línea de un filtro regulador-lubricador, tan cerca de la herramienta como sea posible.
3. Always use clean dry air. Excessive moisture and dirt will greatly reduce the life of any air motor. We recommend the installation of an inline filterregulator- lubricator as close to the tool as possible.

OPERACIÓN INSTRUCCIONES

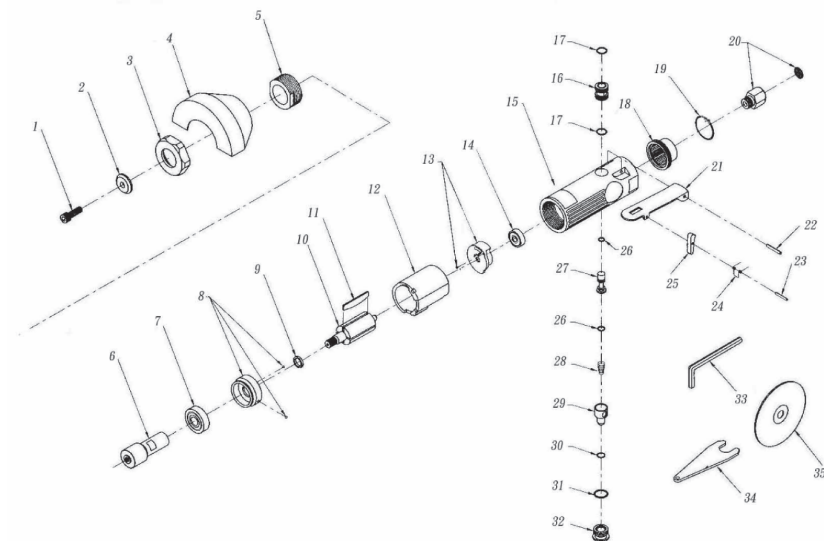
1. La herramienta requiere aire limpio y seco suministrado a una presión de 620 kPa bar. Cualquier presión superior puede reducir drásticamente la vida útil de la herramienta.
Conecte la herramienta en la línea de aire usando el tubo y la manguera; encaje las piezas según los tamaños indicados en Figura 2.
2. Riesgos De Suministro De Aire Y Conexiones
El aire a presión puede producir daños importantes.
Cuando no utilice la herramienta, cuando vaya a cambiar algún accesorio o vaya a efectuar reparaciones, cierre siempre el suministro de aire, cierre la manguera de drenaje de presión de aire y desconecte la herramienta.
No dirija nunca el chorro de aire hacia usted o ningún otro.
La manguera de conexión puede ser muy peligrosa, verifique siempre la manguera y sus conexiones.
No utilice acoplamiento de desconexión rápida con esta herramienta. Para el uso correcto, consulte las Figura 2 instrucciones.
Cuando emplee acoplamiento universales por torcedura, debe instalar clavijas de cierre.
3. *Nunca supere la presión máxima de aire (620 kPa según indique la placa de la herramienta)*

GUÍA DE DIAGNÓSTICO DE AVERÍAS

Problema	Posibles(s) Causa(s)	Acción a Tomar
La herramienta funciona lentamente o no funciona	1. Acumulación de arenillas o goma	1. Purgue la herramienta con aceite para herramientas neumáticas, solvente de goma, o una mezcla cantidades iguales de aceite SAE 10 para motores y kerosene. Si no usa el aceite, lubrique la herramienta después de limpiarla.
	2. La presión del aire es baja	2. Ajuste el regulador del compresor al máximo de la herramienta con la herramienta funcionando libremente.
	3. Fuga en la manguera de aire	3. Apriete y selle las conexiones de la manguera si encuentra alguna fuga.
	4. Pérdida de presión	4a. Cerciórese de que la manguera sea del tamaño adecuado. Las mangueras largas o las herramientas que consuman mucho aire podrían requerir una manguera con d.i. de 12,7 mm o más según sea la longitud total de la manguera. 4b. No use varias mangueras conectadas con conectores rápidos. Esto ocasiona pérdidas adicionales de presión y reduce la potencia de la herramienta. Conecte las mangueras directamente.
La herramienta expulsa humedad	1. Hay agua en el tanque	1. Drene el tanque. Lubrique la herramienta y déjela funcionar hasta que no haya residuos de agua. Lubrique la herramienta una vez más y déjela funcionar por 1-2 segundos.
	2. Hay agua en las líneas de mangueras de aire	2a. Instale un separador-filtro de agua. NOTA: Los separadores solo funcionan adecuadamente cuando el aire está frío. Ubique el separador/filtro lo más lejos posible del compresor. 2b. Instale un secador de aire.

MANTENIMIENTO**Lubricación**

Use un lubricador de línea de aire, dos gotas por minuto. Si un lubricador de línea de aire no se puede utilizar, añadir el aceite del motor de aire a la entrada una vez al día.

LISTA DE LAS PARTES DE REPUESTO 48MA05 & 48MA06

**Para Obtener Partes de Reparación
en México llame al 001-800-527-2331
en EE.UU. llame al 1-800-Grainger**

24 horas al día, 365 días al año

Sírvase darnos la siguiente información:

- Número del modelo
- Número de serie(de haberlo)
- Descripción y número del repuesto según la lista

LISTA DE LAS PARTES DE REPUESTO 48MA05 & 48MA06

Descripción	N° de parte	Ctd.
1 Tapón de rosca	48MA05001G	1
2 Husillo Plate	48MA05002G	1
3 Guardia tuerca hexagonal		1
4 Disc Guard	48MA05003G	1
5 Tuerca de retención		1
6 Eje	48LZ99004G	1
7 Cojinete de bolas	48LZ99005G	1
8 Placa terminal frontal	48LZ99006G	1
9 Collarín del rotor		1
10 Rotor		1
11 Aleta de rotor	48LZ99007G	4
12 Cilindro	48LZ99008G	1
13 Placa terminal trasera	48LZ99009G	1
14 Cojinete de bolas	48LZ99010G	1
15 viviendas		1
16 Manguito de válvula de aceleración	48LZ99023G	1 ★
17 Aro en "O" del manguito de válvula de aceleración	2	★
18 De escape defuser	48LZ99011G	1
19 Aro en "O"	1	◇
20 El aire de entrada con pantalla	48LZ99012G	1
21 Palanca de aceleración	48LZ99013G	1
22 Pasador de palanca de aceleración	48LZ92005G	1
23 Pasador del resorte		1
24 Resorte		1
25 Pasador de seguridad de la palanca de accionamiento		1
26 Aro en "O"		2
27 Válvula de aceleración		1
28 Resorte	48LZ99018G	1
29 Regulador de aire	48LZ99019G	1
30 Aro en "O" del regulador		1
31 Aro en "O" para tornillo de válvula		1
32 Tornillo de válvula	48LZ99020G	1
33 Llave Allen	48MA05004G	1
34 Llave de extremo abierto	48MA05005G	1
35 Disco de corte	48MA05006G	1

- ★ Manguito de válvula de aceleración Kit
- ◇ El aire de entrada con pantalla Kit
- ◆ Ensamblaje de palanca de accionamiento
- Regulador de aire Kit
- ☆ Tornillo de válvula Kit

(*)Partes de la lista sin el modelo no se ofrecen

 **WARNING:**

Some dust created by power sanding, sawing, grinding, drilling, and other construction activities contains chemicals known to cause cancer, birth defects or other reproductive harm. Some examples of these chemicals are:

- Lead from lead-based paints,
- Crystalline silica from bricks and cement and other masonry products, and
- Arsenic and chromium from chemically-treated lumber.

To reduce your exposure to these chemicals; work in a well-ventilated area, and work with approved safety equipment, such as those dust masks that are specially designed to filter out microscopic particles.

 **ADVERTENCIA:**

Parte del polvo proveniente del uso de lijadoras mecánicas, de la molienda, perforación y otras actividades de la construcción contiene químicos que se sabe causan cáncer, defectos congénitos u otros daños en el sistema reproductivo:

- El plomo de las pinturas a base de plomo;
- La sílice cristalina que se encuentra en ladrillos y cemento, y en otros productos de albañilería; y
- El arsénico y el cromo de las maderas tratadas con químicos.

Para reducir su exposición a estos químicos: trabaje en áreas bien ventiladas, y utilice equipo de seguridad aprobado, como las máscaras para polvo que son especialmente diseñadas para filtrar las partículas microscópicas.

 **AVERTISSEMENT:**

Certaines poussières générées par du matériel électrique de ponçage, de sciage, de meulage, de perçage ou par d'autres activités de construction comportent des produits chimiques connus pour avoir des liens avec le cancer, les anomalies congénitales ou autres dommages sur le fœtus. Certains exemples de ces produits chimiques sont :

- le plomb provenant des peintures au plomb
- la silice cristalline provenant des briques ou du ciment et d'autres produits de maçonnerie
- l'arsenic et le chrome provenant de bois traité chimiquement.

Afin de réduire votre exposition envers ces substances chimiques il est recommandé de travailler dans un endroit bien aéré et d'être muni de matériel autorisé de protection, tels que des masques anti poussières qui sont spécialement conçus pour intercepter les particules microscopiques.

GARANTIE LIMITÉE D'UN AN FOURNIE PAR SPEEDAIRE

GARANTIE LIMITÉE D'UN AN FOURNIE PAR SPEEDAIRE. Tous les modèles de produits Speedaire® couverts dans ce manuel sont garantis par Dayton Electric Mfg. Co. (« Dayton ») au premier utilisateur contre tout défaut de fabrication ou de matériau, dans des conditions d'utilisation normales durant un an à compter de la date d'achat. Si le produit Speedaire fait partie d'un ensemble, seul le composant du produit présentant un défaut est couvert par la présente garantie. Tout produit ou toute pièce présentant un défaut de fabrication ou de matériau et retourné(e) à un centre de service agréé désigné par Dayton ou par un représentant désigné de Dayton, port payé, sera à titre de recours exclusif, réparé(e) ou remplacé(e) par un produit neuf ou une pièce neuve, ou par un produit ou une pièce remis à neuf d'utilité égale, ou fera l'objet d'un remboursement intégral, au choix de Dayton ou d'un représentant désigné de Dayton, sans frais. Voir les procédures de réclamation sous garantie limitée sous la rubrique « Service de garantie » ci-après. La présente garantie est annulée en cas de preuve de mésusage, de réparation défectueuse, d'installation défectueuse, d'utilisation abusive ou de modification. La présente garantie ne couvre pas l'usure normale des produits Speedaire ou des composants de ces produits, ou des produits ou des composants de ces produits qui sont consommables lors d'une utilisation normale. La présente garantie limitée donne aux acheteurs des droits spécifiques et il est également possible de bénéficier d'autres droits qui varient selon les juridictions.

CLAUSES D'EXONÉRATION DE GARANTIE ET LIMITES DE RESPONSABILITÉ CONCERNANT TOUS LES CLIENTS POUR TOUS LES PRODUITS

LIMITES DE RESPONSABILITÉ. DANS LA MESURE PERMISE AU TITRE DE LA LOI APPLICABLE, DAYTON AVEC PRÉCISION LES INFORMATIONS ET ILLUSTRATIONS DES PRODUITS DÉCRITS DANS CETTE BROCHURE; CENDANT, DE TELLES INFORMATIONS ET ILLUSTRATIONS SONT POUR LA SEULE RAISON D'IDENTIFICATION, ET N'EXPRIMENT NI N'IMPLIQUENT QUE LES PRODUITS SPEEDAIRE SONT COMMERCIALISABLES, OU ADAPTABLES À UN BESOIN PARTICULIER, NI QUE CES PRODUITS SPEEDAIRE SONT NÉCESSAIREMENT CONFORMES AUX ILLUSTRATIONS OU DESCRIPTIONS FOURNIES. SAUF DISPOSITIONS CONTRAIRES CI-DESSOUS, AUCUNE GARANTIE OU AFFIRMATION DE FAIT, EXPRESSE OU IMPLICITE, AUTRE QUE CELLE ÉNONCÉE À LA RUBRIQUE « GARANTIE LIMITÉE » CI-DESSUS, N'EST FOURNIE OU AUTORISÉE PAR DAYTON.

CLAUDE D'EXONÉRATION DE GARANTIE. DE DILIGENTS EFFORTS ONT ÉTÉ FAITS POUR FOURNIR AVEC PRÉCISION LES INFORMATIONS ET ILLUSTRATIONS DES PRODUITS DÉCRITS DANS CETTE BROCHURE; CENDANT, DE TELLES INFORMATIONS ET ILLUSTRATIONS SONT POUR LA SEULE RAISON D'IDENTIFICATION, ET N'EXPRIMENT NI N'IMPLIQUENT QUE LES PRODUITS SPEEDAIRE SONT COMMERCIALISABLES, OU ADAPTABLES À UN BESOIN PARTICULIER, NI QUE CES PRODUITS SPEEDAIRE SONT NÉCESSAIREMENT CONFORMES AUX ILLUSTRATIONS OU DESCRIPTIONS FOURNIES. SAUF DISPOSITIONS CONTRAIRES CI-DESSOUS, AUCUNE GARANTIE OU AFFIRMATION DE FAIT, EXPRESSE OU IMPLICITE, AUTRE QUE CELLE ÉNONCÉE À LA RUBRIQUE « GARANTIE LIMITÉE » CI-DESSUS, N'EST FOURNIE OU AUTORISÉE PAR DAYTON.

CONFORMITÉ DU PRODUIT. DANS DE NOMBREUSES JURIDICTIONS, LES CODES ET LES RÉGLEMENTATIONS QUI RÉGISSENT LES VENTES, LA CONSTRUCTION, L'INSTALLATION ET/OU L'UTILISATION DE PRODUITS POUR CERTAINS USAGES PEUVENT ÊTRE DIFFÉRENTS DE CEUX DE RÉGIONS AVISINANTES. BIEN QUE DAYTON SE SOIT EFFORCÉE DE RENDRE SES PRODUITS CONFORMES À CES CODES, LA SOCIÉTÉ NE PEUT EN GARANTIR LA CONFORMITÉ ET NE SAURAIT ÊTRE RESPONSABLE DE LA MANIÈRE DONT LES PRODUITS SONT INSTALLÉS OU UTILISÉS. AVANT D'ACHETER ET D'UTILISER UN PRODUIT, IL EST CONSEILLÉ D'ÉTUDE LES DIRECTIVES DE SÉCURITÉ/CARACTÉRISTIQUES TECHNIQUES AINSI QUE LES CODES ET RÉGLEMENTATIONS NATIONAUX ET LOCAUX APPLICABLES, ET DE S'ASSURER DE LA CONFORMITÉ À CES CODES DE CES PRODUITS SPEEDAIRE, DE LEUR INSTALLATION ET DE LEUR UTILISATION.

CONSOMMATEURS SEULEMENT. CERTAINS ASPECTS DES DÉNIS DE GARANTIE NE SONT PAS APPLICABLES AUX PRODUITS DE CONSOMMATION VENDUS AUX CONSOMMATEURS (A) CERTAINES JURIDICTIONS N'AUTORISENT PAS L'EXCLUSION OU LA LIMITATION DES DOMMAGES ACCESSOIRES OU INDIRECTS, DE SORTE QUE LA LIMITATION OU L'EXCLUSION SUSMENTIONNÉE PEUT NE PAS S'APPLIQUER À VOTRE CAS; (B) EN OUTRE, CERTAINES JURIDICTIONS N'AUTORISENT PAS DE LIMITE SUR LA DURÉE D'UNE GARANTIE IMPLICITE, PAR CONSÉQUENT LA LIMITE SUSMENTIONNÉE PEUT NE PAS S'APPLIQUER À VOTRE CAS; ET (C) EN VERTU DE LA LOI, DURANT LA PÉRIODE DE GARANTIE LIMITÉE, TOUTE GARANTIE IMPLICITE DE QUALITÉ MARCHANDE OU D'ADÉQUATION À UN USAGE PARTICULIER APPLICABLE AUX PRODUITS DE CONSOMMATION ACHETÉS PAR DES CONSOMMATEURS, EST SUSCEPTIBLE DE NE PAS POUVOIR ÊTRE EXCLUE OU AUTREMENT DÉNIÉE.

LA PRÉSENTE GARANTIE LIMITÉE S'APPLIQUE SEULEMENT AUX PRODUITS SPEEDAIRE ACHETÉS PAR DES ACHETEURS AUX ÉTATS-UNIS POUR UNE LIVRAISON À L'INTÉRIEUR DES ÉTATS-UNIS.

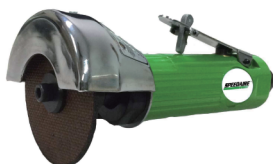
SERVICE DE GARANTIE

Pour obtenir le service de garantie si le produit couvert a été acheté directement auprès de W.W. Grainger, Inc. (« Grainger »), (i) écrire, téléphoner à la succursale ou visiter la succursale locale de Grainger auprès de laquelle le produit a été acheté ou une autre succursale de Grainger à proximité (consulter le site www.grainger.com pour obtenir la liste des succursales de Grainger); ou (ii) communiquer avec Grainger en se rendant sur le site www.grainger.com et en cliquant sur le lien « Contact Us » en haut de la page, puis sur le lien « Email us »; ou (iii) appeler le service clientèle (sans frais) en composant le 1-888-361-8649. Pour obtenir le service de garantie si le produit couvert a été acheté auprès d'un autre distributeur ou d'un autre détaillant, (i) se rendre sur le site www.grainger.com pour obtenir le service de garantie; (ii) écrire, téléphoner à une succursale ou visiter une succursale de Grainger à proximité; ou (iii) appeler le service clientèle (sans frais) en composant le 1-888-361-8649. Dans tous les cas, il sera nécessaire de fournir dans la mesure du possible, la date d'achat, le numéro d'origine de la facture, le numéro de stock, une description du défaut et tout autre élément spécifié en vertu de la présente garantie limitée d'un an de Speedaire. Il sera peut-être exigé de renvoyer le produit moyennant certains frais pour qu'il soit vérifié. Il est possible d'obtenir un suivi quant aux vérifications et aux modifications en cours par les moyens indiqués. Le titre et le risque de perte passe de l'acheteur au transporteur public lors de la livraison, par conséquent si le produit est endommagé pendant son transport, toute réclamation doit être déposée auprès du transporteur, et non pas auprès du détaillant, Grainger ou Dayton. Pour toute information sur la garantie concernant les acheteurs et/ou une livraison à l'extérieur des États-Unis, veuillez prendre contact avec :

**Dayton Electric Mfg. Co.,
100 Grainger Parkway, Lake Forest, IL 60045 États-Unis
ou composer le +1-888-361-8649**

®

SPEEDAIRE



Meule Coudée

Models 48MA05, 48MA06

®

SPEEDAIRE

**LISEZ ET CONSERVEZ
CES INSTRUCTIONS.
LISEZ ATTENTIVEMENT AVANT
DE MONTER, INSTALLER, FAIRE
FONCTIONNER OU ENTREtenir
LE PRODUIT DÉCRIT.**

**PROTÉGEZ-VOUS AINSI QUE
LES AUTRES PERSONNES EN
RESPECTANT TOUTES LES
CONSIGNES DE SÉCURITÉ.
LE NON-RESPECT DE CES
INSTRUCTIONS PEUT ENTRAÎNER
DES BLESSURES ET/OU CAUSER
DES DÉGÂTS MATÉRIELS.
CONSERVEZ CES INFORMATIONS
POUR POUVOIR LES CONSULTER
ULTÉRIEUREMENT.**

**RÉFÉREZ-VOUS À LA
COUVERTURE ARRIÈRE
POUR LES INFORMATIONS
CONCERNANT LA GARANTIE
DE DAYTON ET D'AUTRES
INFORMATIONS IMPORTANTES.**

N° de modèle : _____

Numéro de série : _____

Date d'achat : _____

Brochure 5S0001 / Imprimée en 04/16
STC100 Version 00 04/2016

© 2013 Dayton Electric Manufacturing Co.
Tous droits réservés

SPEEDAIRE

AVANT DE COMMENCER

Équipement de protection individuelle

- Prenez le temps de lire attentivement ce manuel avant d'utiliser l'outil.
- Toutes les personnes présentes dans la zone de travail doivent toujours porter des lunettes de sécurité avec protections latérales afin d'éviter des blessures aux yeux.
- La protection auditive doit également être portée pour éviter le risque de perte d'audition.



UNPACKING

Déballage

- Lors du déballage de l'outil, vérifiez-le soigneusement pour rechercher tout dommage susceptible de s'être produit en cours de transport. Recherchez également toute pièce desserrée, manquante ou endommagée.



Contenu :

- 48MA06 1pc Meule Coudée
- 8pcs Cutting Roue
- 1pc 3/16" Cié Open End
- 1pc 14mm Cié Hex
- 1pc Coffret moulé
- Operating Instructions and Parts Manual (3)



- See General Safety Instructions on page 2, and Cautions and Warnings as shown.

 DÉMARRAGE
DE L'APPAREIL

 SÉCURITÉ /
CARACTÉRISTIQUES

 ASSEMBLAGE /
INSTALLATION

UTILISATION

DÉPANNAGE

 ENTRETIEN /
RÉPARATION

DIRECT DE SÉCURITÉ

Ce manuel contient de l'information très importante qui est fournie pour la SÉCURITÉ et pour ÉVITER LES PROBLÈMES D'ÉQUIPEMENT. Recherchez les symboles suivants dans ce manuel.

⚠ DANGER Danger indique une situation hasardeuse imminente qui **RESULTERA** en perte de vie ou blessures graves.

⚠ AVERTISSEMENT Avertissement indique une situation hasardeuse potentielle qui **PEUT** résulter en perte de vie ou blessures graves.

⚠ ATTENTION Attention indique une situation hasardeuse potentielle qui **PEUT** résulter en

NOTE: Avis indique l'information importante pour éviter le dommage de l'équipement.

⚠ ATTENTION Risques Encourus Par Enchevêtrement Ne vous approchez pas du foret ou mandrin en cours d'utilisation.

Ne portez pas de bijoux ou de vêtements amples. Ne touchez pas le foret, les débris de perforation ou l'aire de travail sous risque de vous couper ou de vous brûler. No acerque el cabello a la herramienta o sus accesorios, corre el riesgo de perder un mechón o parte del cuero cabelludo.

⚠ DANGER Risques de projection Portez toujours un masque anti-chocouvrant les yeux et le visage si vous tenez près de l'outil, si vous l'utilisez, le réparez, le révisiez ou changez des accessoires. Assurez-vous que toutes les personnes à proximité de l'outil aient une protection similaire. Même de petits projectiles peuvent abîmer les yeux et provoquer la cécité.

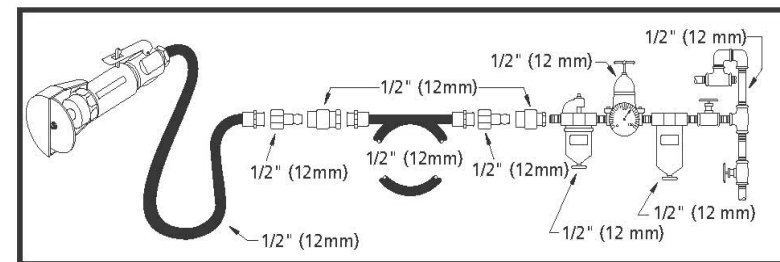
⚠ AVERTISSEMENT Risques Sur Le Lieu De Travail Les chutes peuvent être à l'origine de blessures graves, voire mortelles. Faites attention aux tuyaux qui traînent par terre ou sur le plan de travail. Un fort niveau sonore peut provoquer une perte auditive irréversible. Adoptez une position bien équilibrée et évitez toute surface glissante. Des gestes répétitifs, de mauvaises positions et une exposition aux vibrations peuvent avoir des effets nuisibles sur les membres supérieurs. Le personnel de maintenance et les opérateurs doivent être physiquement aptes à manier un outil de cette puissance et être à même d'effectuer le travail.

CARACTÉRISTIQUES TECHNIQUES

Modèle	Vitesse (RPM)	HP de Moteur	Arrivée d'air (in.)	Pression d'air maximum (psi)	Poids (lb)
48MA05	20,000	1/2	1/4	90	1.6
48MA06	20,000	1/2	1/4	90	1.6

Dimensiones (inch)

Modèle	Longitud	Anchura	Altura
48MA05	7.5"	3.6"	3.5"
48MA06	7.5"	3.6"	3.5"



Configuration recommandée de la conduite d'alimentation en air



INSTALLATION

1. L'outil est conçu pour fonctionner à une pression de 620 kPa. Son fonctionnement à une pression inférieure rend l'outil moins performant, alors que son fonctionnement à une pression supérieure accroît ses performances au-delà de sa capacité nominale et risque d'endommager l'outil et de blesser l'utilisateur. Alimenter toujours l'outil en air propre et sec.
2. Une humidité et une saleté excessives réduisent grandement la durée de service de tout moteur pneumatique. Nous recommandons la pose d'un filtre-régulateur-lubrificateur sur la conduite, aussi près de l'outil que possible.
3. Always use clean dry air. Excessive moisture and dirt will greatly reduce the life of any air motor. We recommend the installation of an inline filterregulator- lubricator as close to the tool as possible.

FONCTIONNEMENT

1. Cet outil doit être alimenté en air pur et sec à une pression de 620 kPa. Une pression plus élevée entraînerait une usure nettement plus rapide. Reliez l'outil à la ligne d'air en utilisant la conduite, le tuyau et les raccords dans les dimensions.
2. Risques Liés À L'air Comprimé L'air comprimé peut provoquer des blessures graves. Avant de remplacer des accessoires ou d'effectuer une réparation, ou lorsque l'outil est inutilisé, veillez à couper l'arrivée d'air comprimé, à purger le tuyau, puis à le débrancher de l'alimentation principale.. Ne dirigez jamais le jet d'air vers vous ou toute autre personne. Si vous utilisez des attaches torsadées universelles, prenez soin d'installer des goupilles de sécurité
3. Ne dépassez pas une pression d'air maximum de 620 kPa



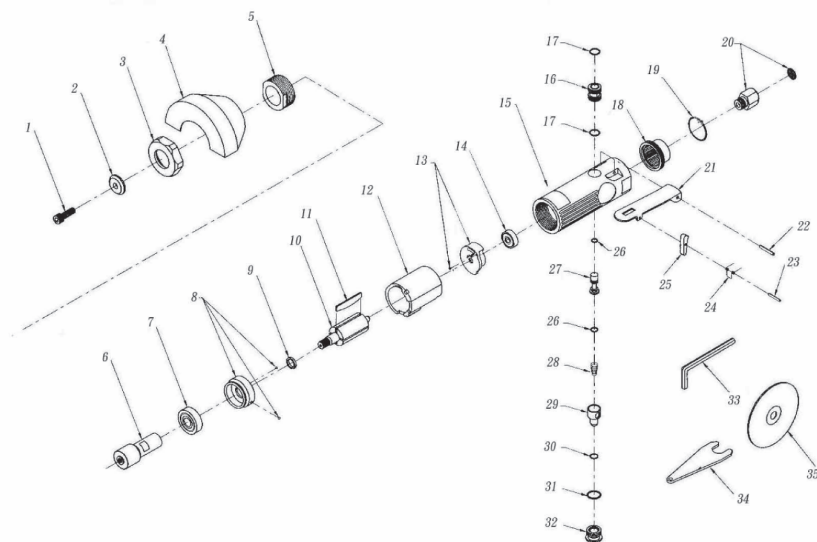
GUÍA DE SOLUCIÓN PROBLEMAS

Symptôme	Cause(s) Possible(s)	Mesures Correctives
L'outil tourne trop lentement ou ne fonctionne pas	<ol style="list-style-type: none"> 1. Présence de grenaille ou de gomme dans l'outil 2. Pression d'air trop basse 3. Fuites dans le tuyau d'air 4. Chute de la pression 	<ol style="list-style-type: none"> 1. Rincer l'outil avec de l'huile pour outil pneumatique, du dissolvant de gomme ou un mélange en proportions égales d'huile moteur SAE10 et de kérosène. En cas d'utilisation d'un produit autre que l'huile, graisser l'outil après l'avoir nettoyé 2. Régler le régulateur de l'outil à la position maximum. 2b. Régler le régulateur du compresseur à la position maximum lorsque l'outil tourne dans le vide 3. Serrer et assurer l'étanchéité des raccords du tuyau en cas de fuites. 4a. Veiller à ce que le tuyau soit de la bonne taille. Les longs tuyaux ou les outils exigeant de grands volumes d'air peuvent nécessiter un diamètre intérieur de tuyau d'au moins 1/2 po, suivant la longueur totale du tuyau. 4b. Ne pas utiliser plusieurs tuyaux reliés ensemble au moyen de raccords rapides. Cela provoque des chutes de pression supplémentaires et réduit la puissance de l'outil. Brancher les tuyaux directement les uns aux autres.
Humidité expulsée de l'outil	<ol style="list-style-type: none"> 1. Présence d'eau dans le réservoir 2. Présence d'eau dans la canalisation/ le tuyau d'air 	<ol style="list-style-type: none"> 1. Purger le réservoir. Huiler l'outil et le faire tourner jusqu'à ce qu'il semble ne plus contenir d'eau. Huiler de nouveau l'outil et le faire tourner pendant 1-2 second(s). 2a. Monter un séparateur/filtre d'eau. REMARQUE: Les séparateurs ne fonctionnent correctement que lorsque l'air qui les traverse est frais. Positionner le séparateur/filtre aussi loin que possible du compresseur. 2b. Installer un sécheur d'air 2c. Graisser l'outil immédiatement quand l'eau entre l'outil.

ENTRETIEN

Lubrification

Utilisez un lubrificateur sur la canalisation d'air réglé pour dispenser deux gouttes d'huile pour outils pneumatiques par minute. Si vous ne pouvez pas utiliser un lubrificateur sur la conduite d'air, ajoutez de l'huile de moteur dans l'unité d'admission une fois par jour.

SPEEDAIRE®**LISTA DE LAS PARTES DE REPUESTO 48MA05 & 48MA06**

**Pour commander des pièces détachées,
composer le 1-800-Grainger
24 heures par jour – 365 jours par an**

Fournir les informations suivantes :

-Numéro de modèle

-Numéro de série (s'il y en a un)

-Description et numéro de pièce comme indiqué sur la liste des pièces

SPEEDAIRE®**LISTA DE LAS PARTES DE REPUESTO 48MA05 & 48MA06**

Description	N° de pièce	Qté
1 Vis	48MA05001G	1
2 Plaque de broche	48MA05002G	1
3 Écrou Garde		1
4 Disc Garde	48MA05003G	1
5 écrou de retenue		1
6 Broche	48LZ99004G	1
7 Roulement à billes	48LZ99005G	1
8 Plaque d'extrémité avant	48LZ99006G	1
9 Collier de rotor		1
10 Rotor		1
11 Pale de rotor	48LZ99007G	4
12 Cylindre	48LZ99008G	1
13 Plaque d'extrémité arrière	48LZ99009G	1
14 Roulement à billes	48LZ99010G	1
15 Logement		1
16 Douille de soupape d'étranglement	48LZ99023G	1 ★
17 Joint torique de douille de soupape d'étranglement		2 ★
18 Échappement Defuser	48LZ99011G	1
19 Joint torique		1 ◇
20 Entrée d'air avec écran	48LZ99012G	1 ◇
21 Levier d'obturateur	48LZ99013G	1 ◆
22 Goupille-ressort de levier d'obturateur	48LZ92005G	1
23 Goupille de rouleur à ressort		1 ◆
24 Ressort		1 ◆
25 Verrou de sécurité du levier de poussée		1 ◆
26 Joint torique		2
27 Soupape d'étranglement		1
28 Ressort	48LZ99018G	1
29 Régulateur d'air	48LZ99019G	1 ■
30 Joint torique de régulateur		1 ■
31 Joint torique de vis de soupape		1 ☆
32 Vis de soupape	48LZ99020G	1 ☆
33 Clé Allen	48MA05004G	1
34 Clé Open End	48MA05005G	1
35 Cut-Off roue	48MA05006G	1

★ Douille de soupape d'étranglement Kit

◇ Entrée d'air avec écran Kit

◆ Assemblage du levier de poussée

■ Régulateur d'air Kit

☆ Vis de soupape Kit

(*) Pièces énumérées sans modèle ne sont pas offerts



WARNING:

Some dust created by power sanding, sawing, grinding, drilling, and other construction activities contains chemicals known to cause cancer, birth defects or other reproductive harm. Some examples of these chemicals are:

- Lead from lead-based paints,
- Crystalline silica from bricks and cement and other masonry products, and
- Arsenic and chromium from chemically-treated lumber.

To reduce your exposure to these chemicals; work in a well-ventilated area, and work with approved safety equipment, such as those dust masks that are specially designed to filter out microscopic particles.



ADVERTENCIA:

Parte del polvo proveniente del uso de lijadoras mecánicas, de la molienda, perforación y otras actividades de la construcción contiene químicos que se sabe causan cáncer, defectos congénitos u otros daños en el sistema reproductivo:

- El plomo de las pinturas a base de plomo;
- La sílice cristalina que se encuentra en ladrillos y cemento, y en otros productos de albañilería; y
- El arsénico y el cromo de las maderas tratadas con químicos.

Para reducir su exposición a estos químicos: trabaje en áreas bien ventiladas, y utilice equipo de seguridad aprobado, como las máscaras para polvo que son especialmente diseñadas para filtrar las partículas microscópicas.



AVERTISSEMENT:

Certaines poussières générées par du matériel électrique de ponçage, de sciage, de meulage, de perçage ou par d'autres activités de construction comportent des produits chimiques connus pour avoir des liens avec le cancer, les anomalies congénitales ou autres dommages sur le fœtus. Certains exemples de ces produits chimiques sont :

- le plomb provenant des peintures au plomb
- la silice cristalline provenant des briques ou du ciment et d'autres produits de maçonnerie
- l'arsenic et le chrome provenant de bois traité chimiquement.

Afin de réduire votre exposition envers ces substances chimiques il est recommandé de travailler dans un endroit bien aéré et d'être muni de matériel autorisé de protection, tels que des masques anti poussières qui sont spécialement conçus pour intercepter les particules microscopiques.

GARANTIE LIMITÉE D'UN AN FOURNIE PAR SPEEDAIRE

GARANTIE LIMITÉE D'UN AN FOURNIE PAR SPEEDAIRE. Tous les modèles de produits Speedaire® couverts dans ce manuel sont garantis par Dayton Electric Mfg. Co. (« Dayton ») au premier utilisateur contre tout défaut de fabrication ou de matériau, dans des conditions d'utilisation normales durant un an à compter de la date d'achat. Si le produit Speedaire fait partie d'un ensemble, seul le composant du produit présentant un défaut est couvert par la présente garantie. Tout produit ou toute pièce présentant un défaut de fabrication ou de matériau et retourné(e) à un centre de service agréé désigné par Dayton ou par un représentant désigné de Dayton, port payé, sera à titre de recours exclusif, réparé(e) ou remplacé(e) par un produit neuf ou une pièce neuve, ou par un produit ou une pièce remis à neuf d'utilité égale, ou fera l'objet d'un remboursement intégral, au choix de Dayton ou d'un représentant désigné de Dayton, sans frais. Voir les procédures de réclamation sous garantie limitée sous la rubrique « Service de garantie » ci-après. La présente garantie est annulée en cas de preuve de mésusage, de réparation défectueuse, d'installation défectueuse, d'utilisation abusive ou de modification. La présente garantie ne couvre pas l'usure normale des produits Speedaire ou des composants de ces produits, ou des produits ou des composants de ces produits qui sont consommables lors d'une utilisation normale. La présente garantie limitée donne aux acheteurs des droits spécifiques et il est également possible de bénéficier d'autres droits qui varient selon les juridictions.

CLAUSES D'EXONÉRATION DE GARANTIE ET LIMITES DE RESPONSABILITÉ CONCERNANT TOUS LES CLIENTS POUR TOUS LES PRODUITS

LIMITES DE RESPONSABILITÉ. DANS LA MESURE PERMISE AU TITRE DE LA LOI APPLICABLE, DAYTON AVEC PRÉCISION LES INFORMATIONS ET ILLUSTRATIONS DES PRODUITS DÉCRITS DANS CETTE BROCHURE; CENDANT, DE TELLES INFORMATIONS ET ILLUSTRATIONS SONT POUR LA SEULE RAISON D'IDENTIFICATION, ET N'EXPRIMENT NI N'IMPLIQUENT QUE LES PRODUITS SPEEDAIRE SONT COMMERCIALISABLES, OU ADAPTABLES À UN BESOIN PARTICULIER, NI QUE CES PRODUITS SPEEDAIRE SONT NÉCESSAIREMENT CONFORMES AUX ILLUSTRATIONS OU DESCRIPTIONS FOURNIES. SAUF DISPOSITIONS CONTRAIRES CI-DESSOUS, AUCUNE GARANTIE OU AFFIRMATION DE FAIT, EXPRESSE OU IMPLICITE, AUTRE QUE CELLE ÉNONCÉE À LA RUBRIQUE « GARANTIE LIMITÉE » CI-DESSUS, N'EST FOURNIE OU AUTORISÉE PAR DAYTON.

CLAUDE D'EXONÉRATION DE GARANTIE. DE DILIGENTS EFFORTS ONT ÉTÉ FAITS POUR FOURNIR AVEC PRÉCISION LES INFORMATIONS ET ILLUSTRATIONS DES PRODUITS DÉCRITS DANS CETTE BROCHURE; CENDANT, DE TELLES INFORMATIONS ET ILLUSTRATIONS SONT POUR LA SEULE RAISON D'IDENTIFICATION, ET N'EXPRIMENT NI N'IMPLIQUENT QUE LES PRODUITS SPEEDAIRE SONT COMMERCIALISABLES, OU ADAPTABLES À UN BESOIN PARTICULIER, NI QUE CES PRODUITS SPEEDAIRE SONT NÉCESSAIREMENT CONFORMES AUX ILLUSTRATIONS OU DESCRIPTIONS FOURNIES. SAUF DISPOSITIONS CONTRAIRES CI-DESSOUS, AUCUNE GARANTIE OU AFFIRMATION DE FAIT, EXPRESSE OU IMPLICITE, AUTRE QUE CELLE ÉNONCÉE À LA RUBRIQUE « GARANTIE LIMITÉE » CI-DESSUS, N'EST FOURNIE OU AUTORISÉE PAR DAYTON.

CONFORMITÉ DU PRODUIT. DANS DE NOMBREUSES JURIDICTIONS, LES CODES ET LES RÉGLEMENTATIONS QUI RÉGISSENT LES VENTES, LA CONSTRUCTION, L'INSTALLATION ET/OU L'UTILISATION DE PRODUITS POUR CERTAINS USAGES PEUVENT ÊTRE DIFFÉRENTS DE CEUX DE RÉGIONS AVISINANTES. BIEN QUE DAYTON SE SOIT EFFORCÉE DE RENDRE SES PRODUITS CONFORMES À CES CODES, LA SOCIÉTÉ NE PEUT EN GARANTIR LA CONFORMITÉ ET NE SAURAIT ÊTRE RESPONSABLE DE LA MANIÈRE DONT LES PRODUITS SONT INSTALLÉS OU UTILISÉS. AVANT D'ACHETER ET D'UTILISER UN PRODUIT, IL EST CONSEILLÉ D'ÉTUDE LES DIRECTIVES DE SÉCURITÉ/CARACTÉRISTIQUES TECHNIQUES AINSI QUE LES CODES ET RÉGLEMENTATIONS NATIONAUX ET LOCAUX APPLICABLES, ET DE S'ASSURER DE LA CONFORMITÉ À CES CODES DE CES PRODUITS SPEEDAIRE, DE LEUR INSTALLATION ET DE LEUR UTILISATION.

CONSOMMATEURS SEULEMENT. CERTAINS ASPECTS DES DÉNIS DE GARANTIE NE SONT PAS APPLICABLES AUX PRODUITS DE CONSOMMATION VENDUS AUX CONSOMMATEURS (A) CERTAINES JURIDICTIONS N'AUTORISENT PAS L'EXCLUSION OU LA LIMITATION DES DOMMAGES ACCESSOIRES OU INDIRECTS, DE SORTE QUE LA LIMITATION OU L'EXCLUSION SUSMENTIONNÉE PEUT NE PAS S'APPLIQUER À VOTRE CAS; (B) EN OUTRE, CERTAINES JURIDICTIONS N'AUTORISENT PAS DE LIMITE SUR LA DURÉE D'UNE GARANTIE IMPLICITE, PAR CONSÉQUENT LA LIMITE SUSMENTIONNÉE PEUT NE PAS S'APPLIQUER À VOTRE CAS; ET (C) EN VERTU DE LA LOI, DURANT LA PÉRIODE DE GARANTIE LIMITÉE, TOUTE GARANTIE IMPLICITE DE QUALITÉ MARCHANDE OU D'ADÉQUATION À UN USAGE PARTICULIER APPLICABLE AUX PRODUITS DE CONSOMMATION ACHETÉS PAR DES CONSOMMATEURS, EST SUSCEPTIBLE DE NE PAS POUVOIR ÊTRE EXCLUE OU AUTREMENT DÉNIÉE.

LA PRÉSENTE GARANTIE LIMITÉE S'APPLIQUE SEULEMENT AUX PRODUITS SPEEDAIRE ACHETÉS PAR DES ACHETEURS AUX ÉTATS-UNIS POUR UNE LIVRAISON À L'INTÉRIEUR DES ÉTATS-UNIS.

SERVICE DE GARANTIE

Pour obtenir le service de garantie si le produit couvert a été acheté directement auprès de W.W. Grainger, Inc. (« Grainger »), (i) écrire, téléphoner à la succursale ou visiter la succursale locale de Grainger auprès de laquelle le produit a été acheté ou une autre succursale de Grainger à proximité (consulter le site www.grainger.com pour obtenir la liste des succursales de Grainger); ou (ii) communiquer avec Grainger en se rendant sur le site www.grainger.com et en cliquant sur le lien « Contact Us » en haut de la page, puis sur le lien « Email us »; ou (iii) appeler le service clientèle (sans frais) en composant le 1-888-361-8649. Pour obtenir le service de garantie si le produit couvert a été acheté auprès d'un autre distributeur ou d'un autre détaillant, (i) se rendre sur le site www.grainger.com pour obtenir le service de garantie; (ii) écrire, téléphoner à une succursale ou visiter une succursale de Grainger à proximité; ou (iii) appeler le service clientèle (sans frais) en composant le 1-888-361-8649. Dans tous les cas, il sera nécessaire de fournir dans la mesure du possible, la date d'achat, le numéro d'origine de la facture, le numéro de stock, une description du défaut et tout autre élément spécifié en vertu de la présente garantie limitée d'un an de Speedaire. Il sera peut-être exigé de renvoyer le produit moyennant certains frais pour qu'il soit vérifié. Il est possible d'obtenir un suivi quant aux vérifications et aux modifications en cours par les moyens indiqués. Le titre et le risque de perte passe de l'acheteur au transporteur public lors de la livraison, par conséquent si le produit est endommagé pendant son transport, toute réclamation doit être déposée auprès du transporteur, et non pas auprès du détaillant, Grainger ou Dayton. Pour toute information sur la garantie concernant les acheteurs et/ou une livraison à l'extérieur des États-Unis, veuillez prendre contact avec :

**Dayton Electric Mfg. Co.,
100 Grainger Parkway, Lake Forest, IL 60045 États-Unis
ou composer le +1-888-361-8649**