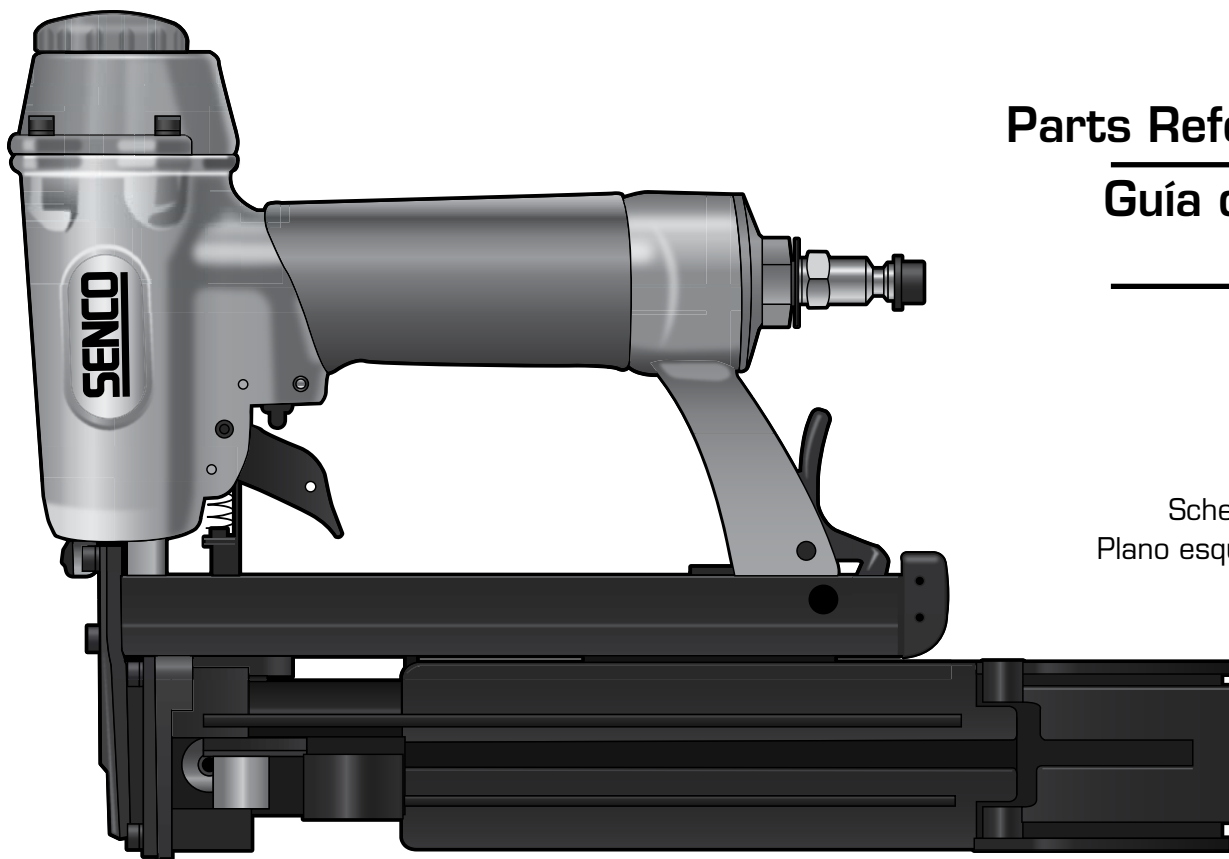


Button Cap Stapler

Parts Reference Guide

Guía de referencia de piezas

Pièces Guide de référence



Schematic Drawings Inside
Plano esquemático en el interior
Schéma intérieur

SENCO®

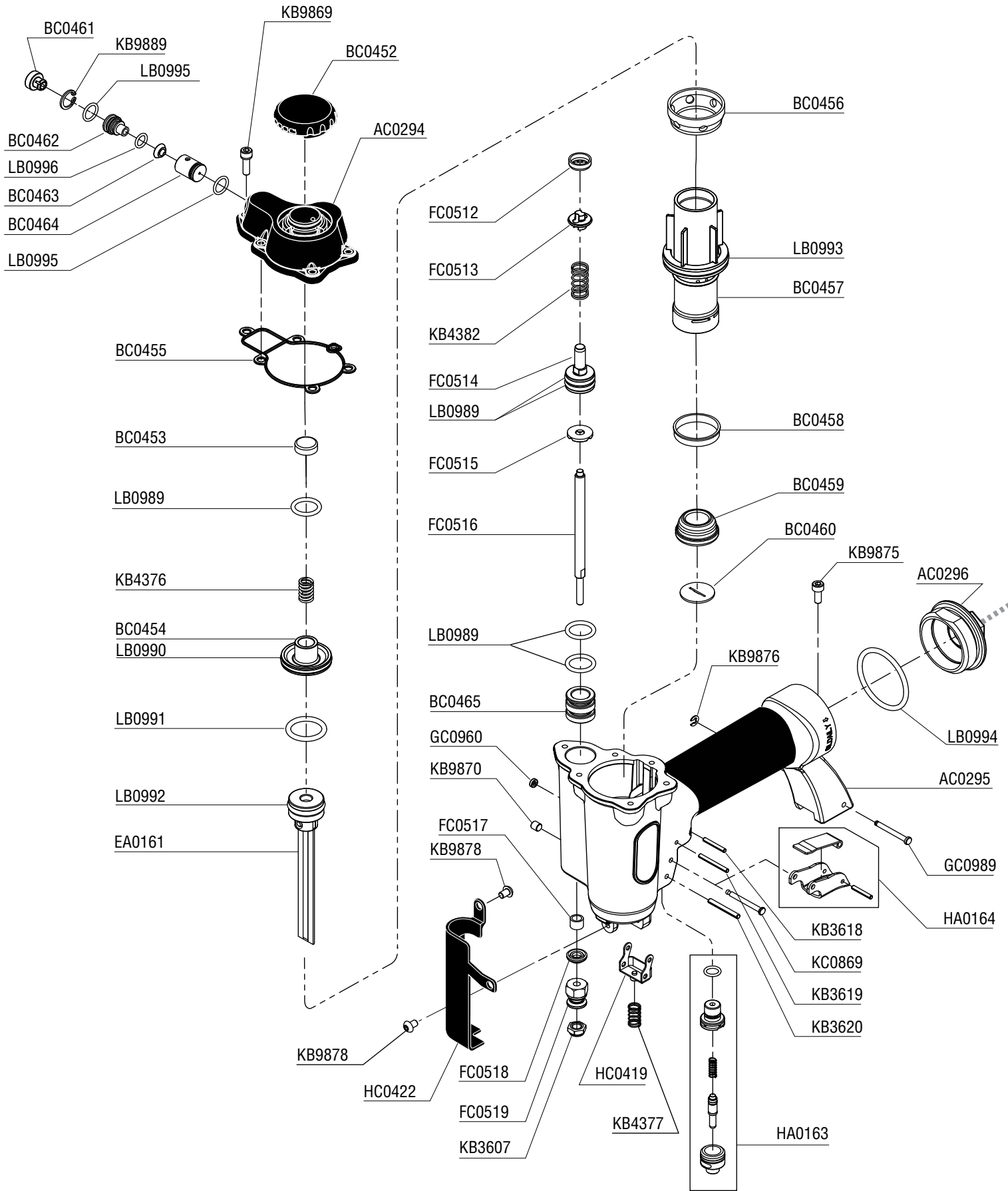
NFD04A Feb 10, 2014, Replaces May 27, 2010

Senco Brands, Inc.
4270 Ivy Pointe Blvd.
Cincinnati, OH 45245
1-800-543-4596
www.senco.com

Questions? Comments? call SENCO's toll-free Action-Line: 1800-543-4596
(North and South America Only) or email: toolprof@senco.com

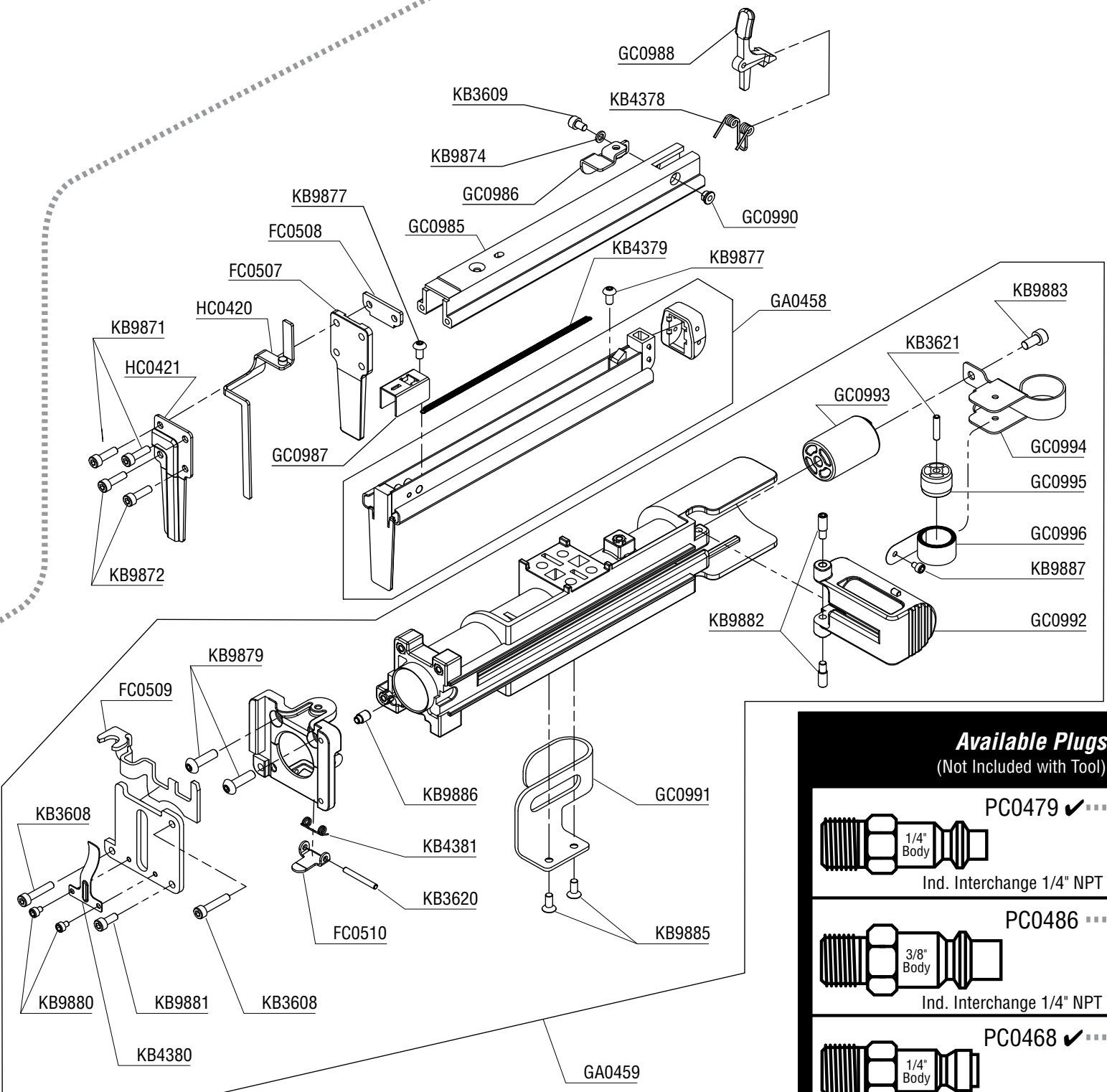
¿Tiene preguntas? ¿Comentarios? Llame a la línea gratuita de acción de Senco: 1800-543-4596
(sólo para América del Norte y del Sur) o envíe un correo electrónico: toolprof@senco.com

Des questions? Des commentaires? Communiquez avec le service d'assistance sans frais de Senco :1800-543-4596
(Amérique du Nord et Amérique du Sud seulement) ou envoyer un courriel : toolprof@senco.com

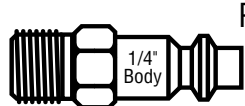
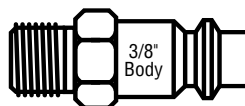
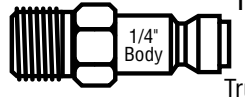
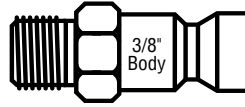


Button Cap Stapler

BC58



Available Plugs
(Not Included with Tool)

	PC0479 ✓
1/4" Body	
Ind. Interchange 1/4" NPT	
	PC0486
3/8" Body	
Ind. Interchange 1/4" NPT	
	PC0468 ✓
1/4" Body	
Tru-Flate 1/4" NPT	
	PC0474
3/8" Body	
Tru-Flate 1/4" NPT	

✓ **Recommended Plugs**
Plugs shown smaller than actual size

REPLACEMENT PARTS LIST • LISTA DE PARTES DE REPUESTO • LISTE DE PIÈCES DE RECHANGE

PART NO.	DESCRIPTION	DESCRIPCIÓN	DÉSIGNATION
AC0294	CAP	TAPA	BOUCHON
AC0295	MAIN BODY	CARCASA	CORPS
AC0296	END CAP	TAPA	BOUCHON
BC0452	DEFLECTOR	DESVIADOR	DÉFLECTEUR
BC0453	SEAL	SELLO	JOINT
BC0454	HD VALVE PISTON	PISTON	PISTON
BC0455	CYLINDER CAP SEAL	SELLO	JOINT
BC0456	COLLAR	CILINDRO	CYLINDRE
BC0457	CYLINDER	CILINDRO	CYLINDRE
BC0458	CYLINDER RING	ANILLO	ANNEAU
BC0459	BUMPER	AMORTIGUADOR	AMORTISSEUR
BC0460	DRIVER GUIDE	GUÍA	GUIDE
BC0461	DEFLECTOR	DESVIADOR	DÉFLECTEUR
BC0462	EXHAUST VALVE-B	VÁLVULA	VALVE
BC0463	EXHAUST VALVE-C	VÁLVULA	VALVE
BC0464	EXHAUST VALVE-A	VÁLVULA	VALVE
BC0465	BRACKET	SOPORTE	SUPPORT DE FIXATION
EA0161	DRIVER ASY	ASAMBLE DE PISTON	PISTON D'ASSEMBLÉE
FC0507	DRIVER GUIDE COVER	CUBIERTA	COUVERCLE
FC0508	PLATE	PLACA	PLAQUE
FC0509	PUSHER	ALIMENTADOR	POUSSOIR
FC0510	FIX-PLATE	PLACA	PLAQUE
FC0512	SEAL	SELLO	JOINT
FC0513	SPRING SEAL	SELLO	JOINT
FC0514	PISTON	PISTON	PISTON
FC0515	BUMPER	AMORTIGUADOR	AMORTISSEUR
FC0516	PISTON SHAFT	PASADOR	GOUPILLE
FC0517	COLLAR	CILINDRO	CYLINDRE
FC0518	SEAL	SELLO	JOINT
FC0519	GUIDE	GUÍA	GUIDE
GA0458	LOWER RAIL ASY	ASAMBLE DE CARGADOR	MAGASIN D'ASSEMBLÉE
GA0459	MAGAZINE ASY	ASAMBLE DE CARGADOR	MAGASIN D'ASSEMBLÉE
GC0960	URETHANE RETAINER	JUNTA TÓRICA	RETENUE
GC0985	MAGAZINE -B	CARGADOR	MAGASIN
GC0986	BRACKET	SOPORTE	SUPPORT DE FIXATION
GC0987	PUSHER	ALIMENTADOR	POUSSOIR
GC0988	LATCH	UÑETA	DOIGT DE RETENUE
GC0989	LATCH PIN	PASADOR	GOUPILLE
GC0990	INSERT	ACOPLAMIENTO	INSERT
GC0991	SPRING RETAINER	JUNTA TÓRICA	RETENUE
GC0992	COVER	CUBIERTA	COUVERCLE
GC0993	PUSHER	ALIMENTADOR	POUSSOIR
GC0994	MOUNTING BRACKET	SOPORTE	CAVALIER
GC0995	FEED SPRING ROLLER	RODILLO	GALET
GC0996	SPRING	RESORTE	RESSORT
HA0163	TRIGGER VALVE ASY	ASAMBLE DE VÁSTAGO	ENSEMBLE NOYAU
HA0164	TRIGGER ASY	ASAMBLE DE GATILLO	ENSEMBLE GÂCHETTE
HC0419	SAFETY GUIDE	PLACA	PLAQUE
HC0420	SAFETY ELEMENT	ASAMBLE DE SEGURO	PALPEUR DE SÉCURITÉ
HC0421	RELIEF PLATE	PLACA	PLAQUE
HC0422	SAFETY COVER	CUBIERTA	COUVERCLE
KB3607	LOCK NUT	TUERCA	ÉCROU
KB3608	SCREW	TORNILLO	VIS
KB3609	SCREW	TORNILLO	VIS
KB3618	SPRING PIN	PASADOR	GOUPILLE
KB3619	SPRING PIN	PASADOR	GOUPILLE
KB3620	SPRING PIN	PASADOR	GOUPILLE
KB3621	SPRING PIN	PASADOR	GOUPILLE
KB4376	COMPRESSION SPRING	RESORTE	RESSORT
KB4377	SAFETY SPRING	RESORTE	RESSORT
KB4378	SPRING	RESORTE	RESSORT
KB4379	PULL SPRING	RESORTE	RESSORT
KB4380	SPRING	RESORTE	RESSORT
KB4381	SPRING	RESORTE	RESSORT
KB4382	SPRING	RESORTE	RESSORT
KB9869	SCREW	TORNILLO	VIS
KB9870	SCREW	TORNILLO	VIS
KB9871	SCREW	TORNILLO	VIS
KB9872	SCREW	TORNILLO	VIS
KB9874	FLAT WASHER	ARANDELA	RONDELLE
KB9875	SCREW	TORNILLO	VIS
KB9876	E - RING	ANILLO	ANNEAU
KB9877	BUTTON HD SCREW	TORNILLO	VIS
KB9878	BUTTON HD SCREW	TORNILLO	VIS
KB9879	BUTTON HD SCREW	TORNILLO	VIS
KB9880	SCREW	TORNILLO	VIS
KB9881	SCREW	TORNILLO	VIS
KB9882	SCREW	TORNILLO	VIS
KB9883	SCREW	TORNILLO	VIS
KB9885	COUNTER SUNK SCREW	TORNILLO	VIS
KB9886	PIN	PASADOR	GOUPILLE
KB9887	SCREW	TORNILLO	VIS
KB9889	C - RING	ANILLO	ANNEAU
KC0869	TRIGGER PIVOT PIN	PASADOR	GOUPILLE
LB0989	SEAL	SELLO	JOINT
LB0990	SEAL	SELLO	JOINT
LB0991	SEAL	SELLO	JOINT
LB0992	SEAL	SELLO	JOINT
LB0993	SEAL	SELLO	JOINT
LB0994	SEAL	SELLO	JOINT
LB0995	SEAL	SELLO	JOINT
LB0996	SEAL	SELLO	JOINT