

PC0781 Hand Nailer

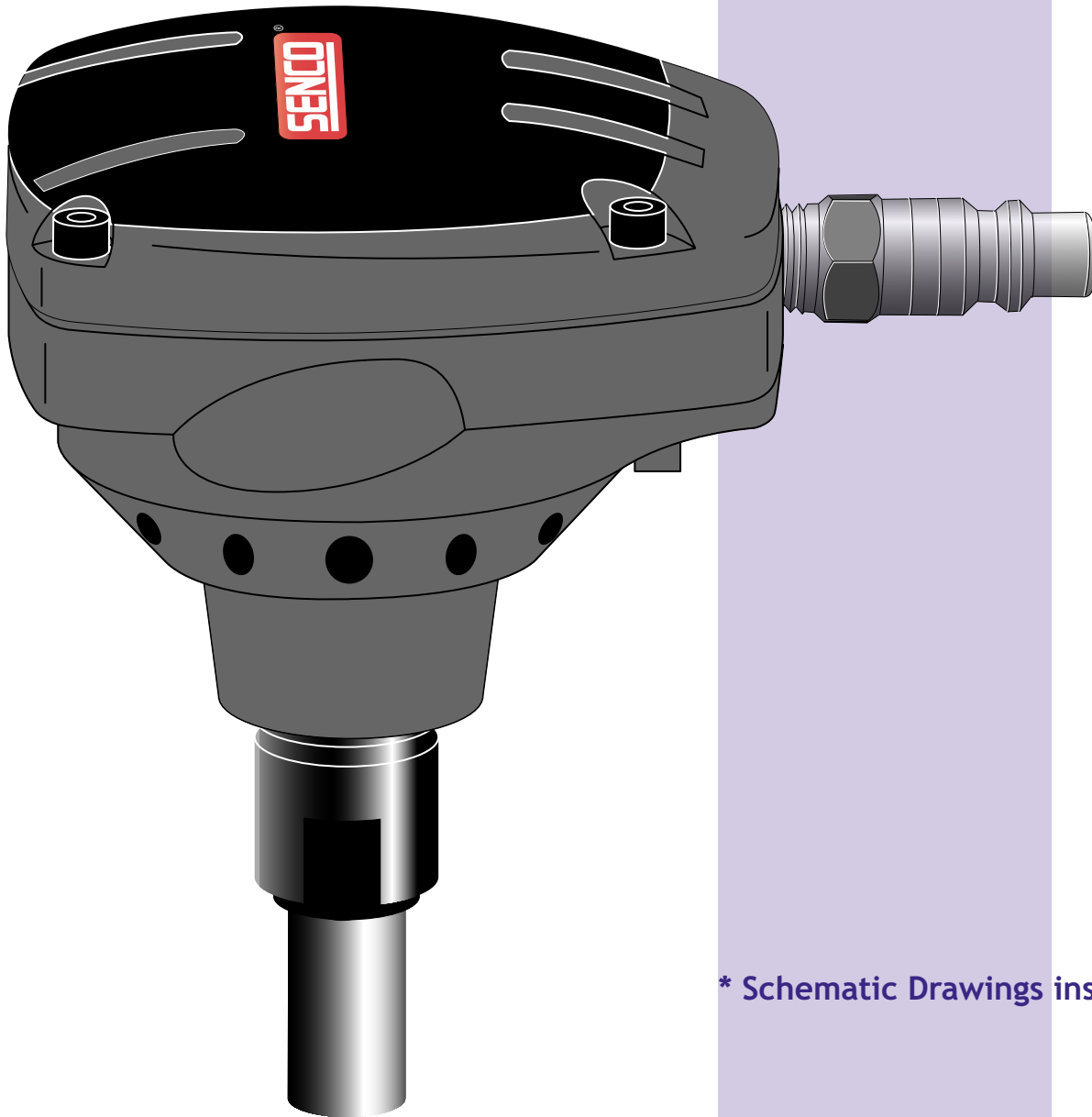
Parts Reference Guide



Senco Products, Inc.
8485 Broadwell Road
Cincinnati, Ohio 45244

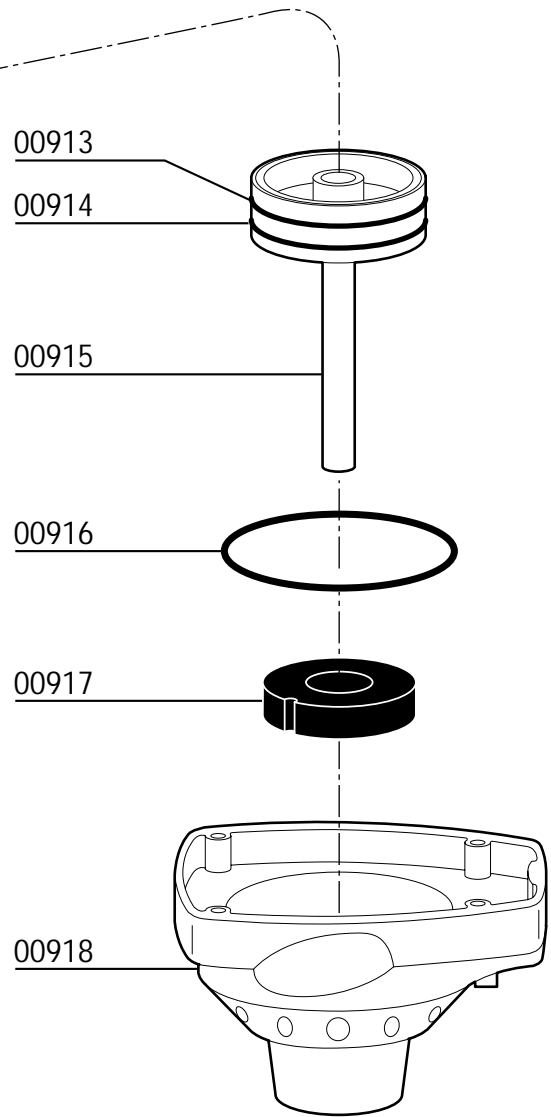
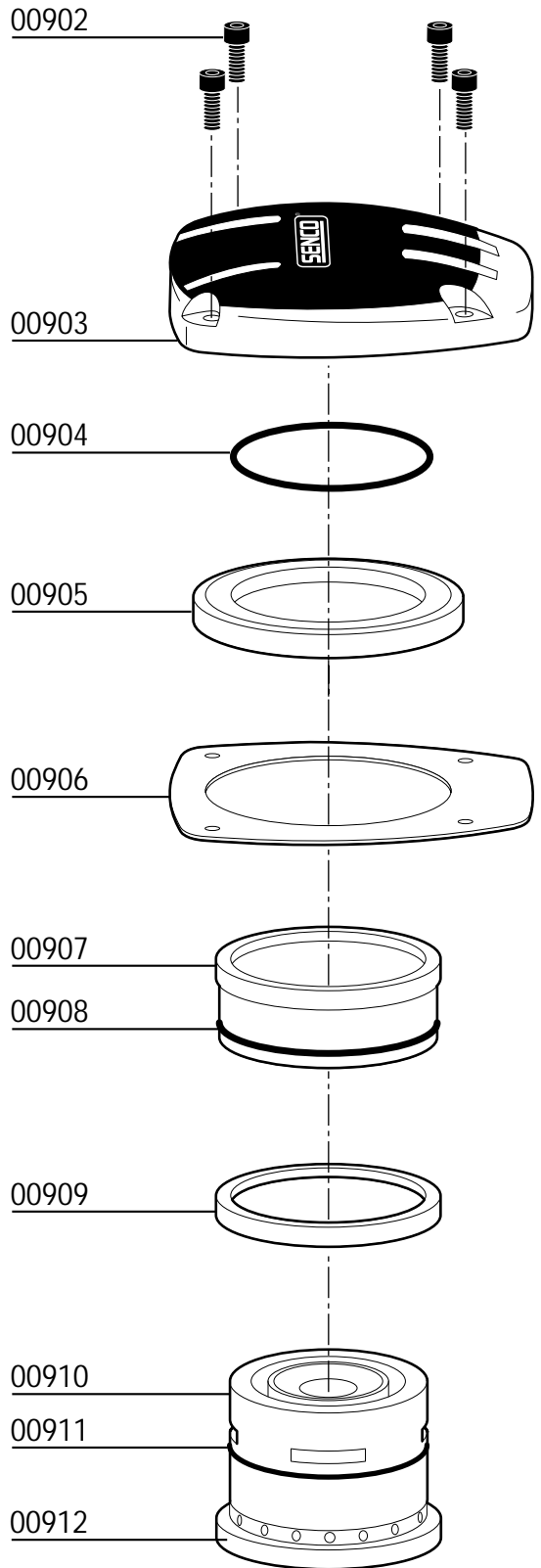
Visit our Website www.senco.com

Questions? Comments? call SENC0's toll-free Action-line: 1-800-543-4596
or e-mail: toolprof@senco.com

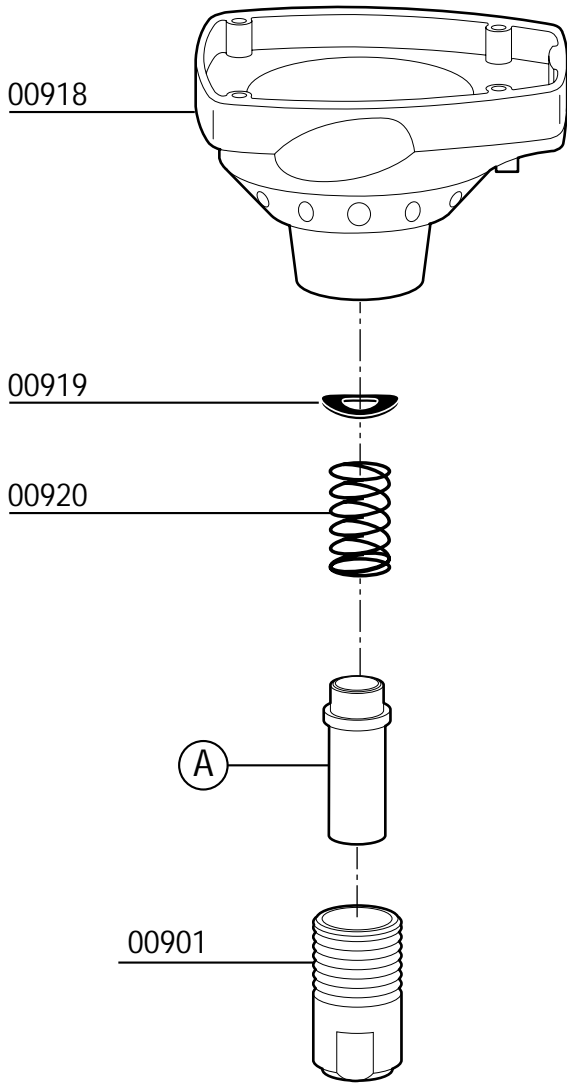


* Schematic Drawings inside

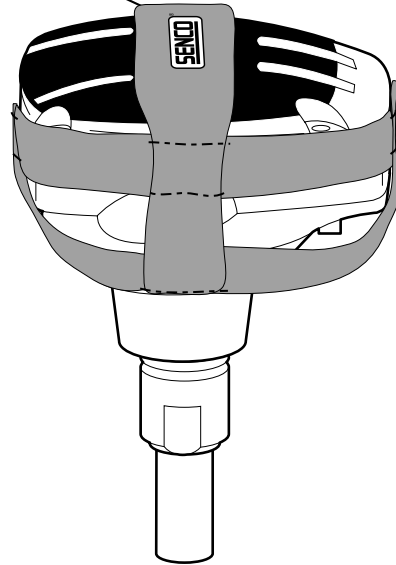
PC0781 Hand Nailer



- * Does Not Include O-rings
- * No incluye sellos de gomas
- * Ohne Dichtringe
- * Joints exclus



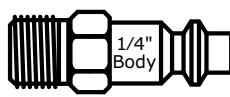
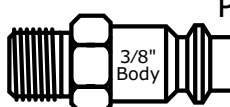

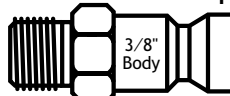
PC0783



	(A)
Non-Magnetic	00921A1
Magnetic	00921

NFA003 Issued November 15, 2000 © 2000 by SENCO Products, Inc. Cincinnati, Ohio 45244-U.S.A.

Available Plugs
(Not Included with Tool)

	PC0480
	Ind. Interchange 3/8" MPT
	PC0486 ✓
	Ind. Interchange 1/4" MPT
	PC0469
	Tru-Flate 3/8" MPT
	PC0474 ✓
	Tru-Flate 1/4" MPT

✓ **Recommended Plugs**
Plugs shown smaller than actual size

PART NO.	DESCRIPTION	DESCRIPCIÓN	BESCHREIBUNG	DÉSIGNATION
00918	HOUSING	ALOJAMIENTO	GEHÄUSE	CORPS
00903	CAP	TAPA	KAPPE	BOUCHON
00912	CYLINDER	CILINDRO	ZYLINDER	CYLINDRE
00907	VALVE	VÁLVULA	VENTIL	VALVE
00919	SPACER	SEPARADOR	DISTANZSTÜCK	ENTRETOISE
00906	GASKET	ARANDELLA		JOINT
00920	SPRING	RESORTE	FEDER	RESSORT
00917	BUMPER	AMORTIGUADOR	PUFFER	AMORTISSEUR
00905	VALVE SEAT	VÁLVULA ASIENTO		SIÈGE DE VALVE
00909	VALVE BUMPER	VÁLVULA AMORTIGUADOR	VENTIL BUMPER	AMORTISSEUR DE VALVE
00915	PISTON DRIVER	PISTON PERCUSOR	KOLBEN/TREIBER	PISTON-COUTEAU
00901	NOSE	NARIZ	NASEN	NEZ
00921	GUIDE, MAGNETIC	GUÍA, MAGNETICA		GUIDE, MAGNÉTIQUE
00921A1	GUIDE	GUÍA	FÜHRUNG	GUIDE
00902	SCREW	TORNILLO	SCHRAUBE	VIS
00911	SEAL	SELLO	DICHTUNG	JOINT
00908	SEAL	SELLO	DICHTUNG	JOINT
00913	SEAL	SELLO	DICHTUNG	JOINT
00914	SEAL	SELLO	DICHTUNG	JOINT
00916	SEAL	SELLO	DICHTUNG	JOINT
00904	SEAL	SELLO	DICHTUNG	JOINT
00910	COVER	CUBIERTA	ABDECKUNG	COUVERCLE
PC0783	GRIP	AGARRADERO	GRIFF	GAINÉ EN CUIR