

®
Dayton



Centrifugal Direct-Drive Downblast Exhaust Ventilators

**Models 2RB53, 4YC64G–4YC67G, 4YC68H, 4YC69H, 4YC71H–
4YC73H, 4YC76J, 4YC77J, 5DVR5–5DVR9, 5DVT0, 5DVT1,
5DVT2A–5DVT4A, 6KWK4–6KWK6, 6KWK7A, 16D527–16D538,
38AX30–38AX32, 48C188–48C190, 48C192, 52CD42 and 52CD43**

®
Dayton

**PLEASE READ AND SAVE
THESE INSTRUCTIONS.**

**READ CAREFULLY
BEFORE ATTEMPTING
TO ASSEMBLE, INSTALL,
OPERATE OR MAINTAIN THE
PRODUCT DESCRIBED.**

**PROTECT YOURSELF AND
OTHERS BY OBSERVING ALL
SAFETY INFORMATION. FAILURE
TO COMPLY WITH INSTRUCTIONS
COULD RESULT IN PERSONAL
INJURY AND/OR PROPERTY
DAMAGE! RETAIN INSTRUCTIONS
FOR FUTURE REFERENCE.**

**PLEASE REFER TO BACK COVER
FOR INFORMATION REGARDING
DAYTON'S WARRANTY AND OTHER
IMPORTANT INFORMATION.**

Model #: _____

Serial #: _____

Purch. Date: _____

*Form 5S6828 / Printed in USA
04632 Version 5 02/2018*

**© 2004 - 2018 Dayton Electric Manufacturing Co.
All Rights Reserved**

BEFORE YOU BEGIN

⚠ WARNING *Installation, troubleshooting and parts replacement are to be performed only by qualified personnel.*

⚠ WARNING *Do not use in any kitchen exhaust application.*



Electrical Requirements:

- The motor amperage and voltage ratings must be checked for compatibility to supply voltage prior to final electrical connection. Wiring must conform to local and national codes.



Tools Needed:

- Dayton® Roof Curb and Mounting Fasteners (8)
- Sealant or Caulk
- Tachometer

Recommended Accessories:

- NEMA 1 Disconnect Switch (1H400, 1H401)
- Non-Ventilated Roof Curb (2RB75-2RB79, 2ZV82, 2ZV83, 5EFJ2)
- Roof Curb Adapter (3AZK1-3AZK9, 3AZL1-3AZL3)
- Hinge Kit (4HX79)
- Speed Control (48C172, 48C173, 43Y140)
- Damper (4HX64-4HX67)

UNPACKING



Contents:

- Dayton® Centrifugal Direct-Drive Downblast Exhaust Ventilator (1)
- Operating Instructions and Parts Manual (1)



Inspect:

- After unpacking unit, inspect carefully for any damage that may have occurred during transit. Check for loose, missing, or damaged parts. Shipping damage claim must be filed with carrier.
- Check all bolts, screws, set-screws, etc. for looseness that may have occurred during transit. Retighten as required. Rotate wheel by hand to be sure it turns freely.



- See General Safety Instructions on page 2, and Cautions and Warnings as shown.

GENERAL SAFETY INSTRUCTIONS

▲ DANGER *Do not depend on any switch as the sole means of disconnecting power when installing or servicing the ventilator. Always disconnect, lock and tag power source before installing or servicing. Failure to disconnect power source can result in fire, shock or serious injury. Motor will restart without warning after thermal protector trips. Do not touch operating motor, it may be hot enough to cause injury.*

▲ DANGER *Do not place any body parts or objects in ventilator or motor openings while motor is connected to power source.*

▲ WARNING *Do not use this equipment in explosive atmospheres.*

▲ CAUTION *To reduce the risk of injury to persons, observe the following:*

OSHA requires OSHA complying guards when fan is installed within 7 feet of floor or working level.

UL/cUL Standards require OSHA complying guards when fan is installed within 8 feet of floor or working level.

1. Read and follow all instructions and cautionary markings. Make sure electrical power source conforms to requirements of equipment and local codes.
2. Ventilators should be assembled, installed and serviced by a qualified technician. Have all electrical work performed by a qualified electrician.
3. Follow all local electrical and safety codes in the United States and Canada, as well as the National Electrical Code (NEC) and the Occupational Safety and Health Act (OSHA) in the United States. Ground motor in accordance with NEC Article 250 (grounding). Follow the Canadian Electric Code (CEC) in Canada.
4. Unit must be securely and adequately grounded.
5. Do not kink power cable or allow it to come in contact with sharp objects, oil, grease, hot surfaces or chemicals. Replace damaged cords immediately.
6. Never open access door to a duct with the ventilator running.

SPECIFICATIONS



Max. Inlet Temp. 130°F

Mounting Location Roof

Housing Material Spun Aluminum

Wheel Type Aluminum, Backward Inclined Centrifugal

Includes NEMA 1 Junction Box, ▲, Δ

Agency Compliance UL/cUL 705, AMCA Sound and Air

▲ Ventilators 2RB53, 4YC64, 4YC65, 4YC67 5DVR5–5DVR8, 16D527–16D534 feature 3-speed motors.

Δ Electronically commutated ventilators 5DVT2A–5DVT4A, 38AX30–38AX32, 48C188–48C192, 52CD42, 52CD43 include motor mounted potentiometer dial to adjust speed. Optional remote mount speed control kits 43Y140, 35YV92-35YV94 can be purchased separately.

Dimensions (inches)

	16D527	4YC64G					
	16D528	4YC65G	16D531		2RB53		
	16D529	5DVR5	16D532	48C188	5DVR7		4YC66G
	16D530	5DVR6	16D533	48C189	5DVR8	16D534	4YC67G
Base Size (Sq.)	17	19	17	17	19	17	19
Wheel Dia.	8-1/4	8-1/4	8-1/4	8-1/4	8-1/4	10-1/2	10-1/2
Shaft Dia.	5/16	5/16	1/2	1/2	1/2	1/2	1/2
Recommended Roof Opening (Sq.)	12	14-1/2	12	12	14-1/2	12	14-1/2
Recommended Damper Size (Sq.)	9-1/2	—	9-1/2	9-1/2	—	9-1/2	12
Recommended Speed Control	48C172	48C172	48C172	43Y140	48C172	48C172	48C172
			5DVR9				
			5DVT0				
			6KWK4				
			6KWK5				
	16D535	52CD42	6KWK6	5DVT2A	16D536	4YC68H	5DVT3A
Base Size (Sq.)	19	19	22	22	19	22	22
Wheel Dia.	11	11	11	11	13-1/4	13-1/4	13-1/4
Shaft Dia.	1/2	1/2	1/2	1/2	1/2	1/2	1/2
Recommended Roof Opening (Sq.)	14-1/2	14-1/2	17-1/2	17-1/2	14-1/2	17-1/2	17-1/2
Recommended Damper Size (Sq.)	12	12	15	15	12	15	15
Recommended Speed Control	48C172	43Y140	48C172	43Y140	48C172	48C172	43Y140
			38AX30				5DVT4A
	16D537	16D538	48C190	4YC71H	52CD43	5DVT1	38AX31
Base Size (Sq.)	19	19	19	22	22	22	26
Wheel Dia.	13-3/4	13-3/4	13-3/4	13-3/4	3-3/4	13-3/4	14-3/4
Shaft Dia.	1/2	1/2	5/8	1/2	1/2	1/2	5/8
Recommended Roof Opening (Sq.)	14-1/2	14-1/2	14-1/2	17-1/2	17-1/2	17-1/2	21-1/2
Recommended Damper Size (Sq.)	12	12	12	15	15	15	19
Recommended Speed Control	48C173 at 115V only	48C172	43Y140	48C173 at 115V only	43Y140	48C172	43Y140
	4YC72H		38AX32				
	4YC73H	4YC76J	48C192	4YC77J	6KWK7A		
Base Size (Sq.)	26	30	30	30	30		
Wheel Dia.	16-3/4	18-1/2	18-1/2	18-1/2	18-1/2		
Shaft Dia.	1/2	5/8	5/8	1/2	5/8		
Recommended Roof Opening (Sq.)	21-1/2	25-1/2	25-1/2	25-1/2	25-1/2		
Recommended Damper Size (Sq.)	19	23	23	23	23		
Recommended Speed Control	48C172	48C172	43Y140	48C173 at 115V only	—		

PERFORMANCE

Model 115V, 1-Phase	HP	Model – ECM 115V, 1-Phase	HP	RPM	Max BHP	Sones @ .250" SP @ 5 Ft.
5DVR5, 16D527	1/60	—	—	1050	0.01	—
				1300	0.01	—
				1550	0.02	3.7
5DVR6, 16D528	1/30	—	—	1050	0.01	—
				1300	0.01	2.7
				1550	0.02	4.3
4YC64G, 16D529	1/30	—	—	1050	0.01	—
				1300	0.02	2.6
				1550	0.03	4.7
4YC65G, 16D530	1/25	—	—	1050	0.01	—
				1300	0.02	3.5
				1550	0.04	4.9
5DVR7, 16D531	1/20	—	—	1050	0.02	4.2
				1300	0.03	5.5
				1550	0.06	7.2
—	—	48C188	1/6	860	0.01	—
—	—			1050	0.02	4.3
2RB53, 16D532	1/20			1300	0.04	5.3
				1550	0.06	7.4
—	—			1140	0.03	4.5
—	—			1725	0.09	9.3
5DVR8, 16D533	1/15	48C189	1/6	860	0.01	—
				1050	0.02	4.2
				1300	0.05	5.5
				1550	0.08	7.4
				1140	0.03	4.6
—	—	1725	0.11	9.4		
4YC66G	1/8	—	—	1050	0.04	4.5
4YC67G, 16D534	1/8	—	—	1050	0.04	4.5
				1300	0.07	6.4
				1550	0.12	8.8
6KWK4	1/8	—	—	860	0.02	3.4
6KWK5	1/6	—	—	1140	0.06	6.1
6KWK6	1/4	—	—	1725	0.19	12.3
—	—	52CD42	1/2	1300	0.07	—
—	—			1725	0.16	—
—	—			2500	0.48	—



Dayton Electric Mfg. Co. certifies that the ventilators shown herein are licensed to bear the AMCA seal. The ratings shown are based on tests and procedures performed in accordance with AMCA Publication 211 and AMCA Publication 311 and comply with the requirements of the AMCA Certified Ratings Program.

CFM Air Delivery @ Static Pressure Shown								
.000"	.125"	.250"	.375"	.500"	.750"	.875"	1.00"	1.25"
138	73	—	—	—	—	—	—	—
170	125	—	—	—	—	—	—	—
203	166	120	—	—	—	—	—	—
187	110	—	—	—	—	—	—	—
231	178	92	—	—	—	—	—	—
276	232	176	96	—	—	—	—	—
253	179	—	—	—	—	—	—	—
314	257	171	—	—	—	—	—	—
374	327	274	190	—	—	—	—	—
297	200	—	—	—	—	—	—	—
367	293	195	—	—	—	—	—	—
438	377	309	214	—	—	—	—	—
335	249	134	—	—	—	—	—	—
415	348	272	174	—	—	—	—	—
495	439	379	314	237	—	—	—	—
326	208	—	—	—	—	—	—	—
398	307	179	—	—	—	—	—	—
493	420	340	233	—	—	—	—	—
588	528	464	394	308	—	—	—	—
432	349	247	—	—	—	—	—	—
654	602	544	486	419	222	—	—	—
426	298	—	—	—	—	—	—	—
520	420	293	—	—	—	—	—	—
644	565	478	373	—	—	—	—	—
768	701	633	557	473	—	—	—	—
565	474	367	—	—	—	—	—	—
855	794	735	671	600	406	—	—	—
717	570	389	—	—	—	—	—	—
717	570	389	—	—	—	—	—	—
888	780	640	493	184	—	—	—	—
1059	969	863	745	623	—	—	—	—
431	358	261	—	—	—	—	—	—
571	517	460	396	283	—	—	—	—
864	829	793	756	719	640	592	527	—
—	—	—	—	342	—	—	—	—
—	—	—	—	613	521	—	364	—
—	—	—	—	1008	956	928	901	840

Performance certified is for installation type A: Free inlet, Free outlet. Performance ratings include the effects of a birdscreen in the airstream. The sound ratings shown are loudness values in fan sones at 5 ft. (1.5 m) in a hemispherical free field calculated per AMCA Standard 301. Values shown are for installation type A: Free inlet hemispherical sone levels.

PERFORMANCE CONTINUED

Model 115V, 1-Phase	HP	Model – ECM 115V, 1-Phase	HP	RPM	Max BHP	Sones @ .250" SP @ 5 Ft.
—	—			860	0.04	2.9
5DVR9	1/6	5DVT2A	1/4	1140	0.09	5.7
5DVT0, 16D535	1/4			1725	0.29	11.4
—	—			1020	0.08	—
—	—	52CD43	3/4	1725	0.39	—
—	—			2200	0.82	—
4YC68H	1/8			860	0.06	5.2
—	—	5DVT3A	1/2	1140	0.14	8.4
4YC69H, 16D536	1/3			1725	0.50	17.0
—	—			860	0.07	6.3
5DVT1, 16D538	1/6	48C190, 38AX30‡	3/4	1140	0.17	9.6
4YC71H*, 16D537*	1/2			1725	0.60	16.7
—	—			1050	0.24	9.0
—	—	5DVT4A, 38AX31‡	3/4	1300	0.46	12.9
—	—			1550	0.79	17.4
4YC72H	1/3	—	—	1140	0.30	10.4
4YC73H	1/4	—	—	860	0.26	9.6
—	—			730	0.26	7.2
—	—			810	0.35	8.7
4YC76J	1/3	48C192, 38AX32‡	1	860	0.42	9.8
—	—			900	0.48	10.9
4YC77J*, 6KWK7A†	3/4	—	—	1140	0.98	16.8

* 115/230V, 1-Phase

‡ 208-230V, 1-Phase

† 208-230/460V, 3-Phase

CFM Air Delivery @ Static Pressure Shown								
.000"	.125"	.250"	.375"	.500"	.750"	.875"	1.00"	1.25"
729	623	473	—	—	—	—	—	—
966	883	805	702	507	—	—	—	—
1462	1405	1351	1298	1250	1126	1052	955	—
—	—	—	—	488	—	—	—	—
—	—	—	—	1213	1132	1085	1035	932
—	—	—	—	1623	1562	1532	1500	1436
1043	932	796	580	—	—	—	—	—
1383	1300	1213	1112	993	—	—	—	—
2093	2038	1984	1928	1871	1743	1673	1600	1426
1221	1106	962	727	—	—	—	—	—
1618	1535	1444	1340	1211	—	—	—	—
2448	2393	2338	2281	2220	2089	2018	1935	1746
1948	1833	1719	1590	1418	—	—	—	—
2412	2318	2228	2135	2033	1777	1611	1355	—
2875	2797	2719	2644	2566	2396	2299	2191	1910
1813	1731	1648	1562	1471	1257	1100	875	—
2540	2344	2145	1913	1596	—	—	—	—
2839	2668	2469	2213	1882	—	—	—	—
3150	2997	2832	2624	2375	—	—	—	—
3344	3202	3049	2863	2647	2015	—	—	—
3500	3364	3219	3052	2858	2347	1821	—	—
4433	4329	4216	4102	3980	3684	3515	3328	2856

Performance certified is for installation type A: Free inlet, Free outlet. Performance ratings include the effects of a birdscreen in the airstream. The sound ratings shown are loudness values in fan sones at 5 ft. (1.5 m) in a hemispherical free field calculated per AMCA Standard 301. Values shown are for installation type A: Free inlet hemispherical sone levels.

INSTALLATION INSTRUCTIONS

⚠ WARNING

Installation, troubleshooting and parts replacement are to be performed only by qualified personnel.

⚠ CAUTION

Lift unit on the roof utilizing hooks under the lip of the shroud. Using a minimum of four lifting straps, evenly space the hooks around the shroud. Use a spreader bar to ensure the straps do not come in contact with the ventilator.

Roof-Mount Installation

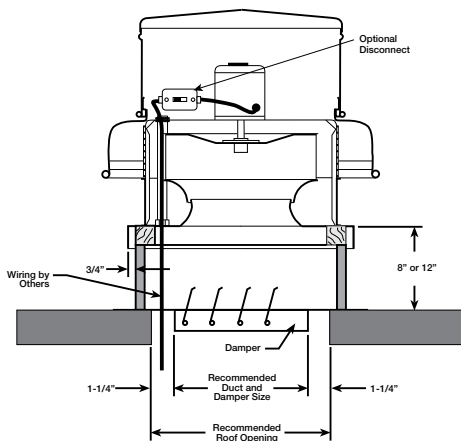


Figure 1

NOTE: Mount unit with a Dayton® roof curb (purchased separately).

1. Cut an appropriate sized hole in the roof surface, refer to Dimensions. Follow curb manufacturer's installation instructions. Caulk and flash curb to ensure a water tight seal.
2. Install optional backdraft damper. Secure damper flange to curb damper tray.
3. Remove motor compartment cover by removing fasteners. Place cover on a flat surface in an area protected from strong winds.
4. Lift and place the unit on top of roof curb using hooks under the lip of the shroud.
5. Secure ventilator to roof curb using a minimum of eight suitable fasteners.
6. Verify power line wiring is de-energized before connecting ventilator motor to power source.
7. Check the power source for compatibility with the requirements of your equipment.

⚠ WARNING

Comply with all local and national safety codes including the National Electrical Code (NEC) and National Fire Protection Act (NFPA).

8. Motor and ventilator must be securely grounded (bare metal) to a suitable electric ground, such as a grounded water pipe or ground wire system.
9. Connect power supply wiring to the motor as indicating on the motor nameplate, refer to Figure 2 for connection wiring diagram.

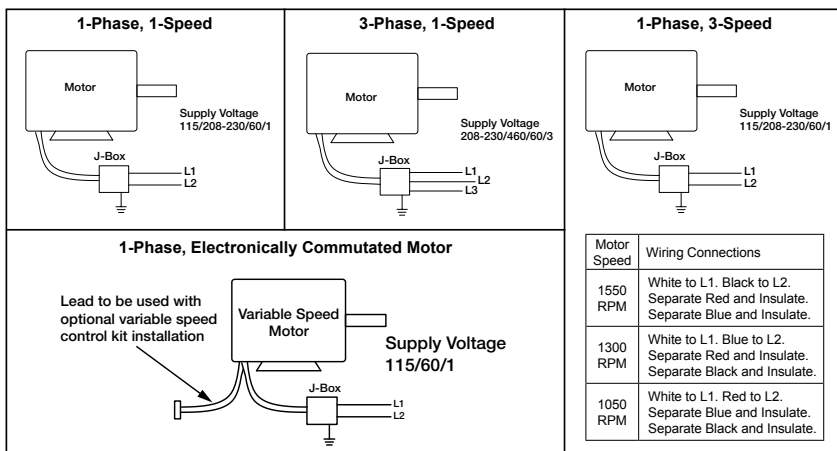


Figure 2

10. Mount and wire safety disconnect switch under motor cover. Wire control switches at ground level, refer to switch manufacturer for installation and wiring procedures.
11. Rotate the wheel by hand to ensure that it does not rub and rotates freely. Wheel position is preset and the unit is test run at the factory. Movement may occur during shipment and realignment may be necessary. Refer to Figure 3 and chart for proper overlap dimensions.
 - a. Wheel and inlet cone overlap can be adjusted by loosening the set screws in the wheel and moving the wheel to the desired position. Tighten all fasteners and set screws securely.

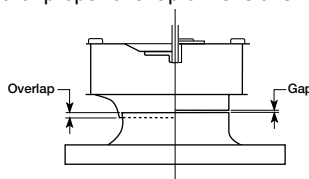


Figure 3

2RB53, 5DVR5, 5DVR6, 5DVR7, 5DVR8, 16D527, 16D528, 16D529, 16D530, 16D531, 16D532, 16D533, 16D534, 48C188, 48C189, 4YC64G, 4YC65G, 4YC66G, 4YC67G	48C190, 4YC68H, 4YC69H, 4YC71H, 4YC72H, 4YC73H, 5DVR9, 5DVT0, 5DVT1, 5DVT2A, 5DVT3A, 5DVT4A, 6KWK4, 6KWK5, 6KWK6, 16D535, 16D536, 16D537, 16D538, 38AX30, 38AX31, 52CD42, 52CD43	4YC77J, 4YC76J, 6KWK7A, 38AX32, 48C192
--	---	---

Overlap (inches)	—	1/4	3/8
Gap (inches)	3/32	—	—

12. Check all fasteners for tightness.
13. Replace motor cover.

OPERATION

1. Before starting up or operating the unit, check all fasteners for tightness. In particular, check set screws in wheel hub. While in the OFF position, or before connecting the ventilator to power, turn the ventilator wheel by hand to be sure it is not striking the orifice or any obstacle.

2. Check wheel rotation (viewing from the shaft side) by momentarily energizing the unit. Rotation should be clockwise and correspond to the rotation decal on the unit.

IMPORTANT: Rotation of the wheel is critical and incorrect rotation will result in reduced air performance, increased motor loading and possible motor burnout.

3. When the ventilator is started, observe the operation and check for any unusual noises.
4. With the system in full operation and all ductwork attached, measure current (amps) input to the motor and compare with the nameplate rating (full-load amps) to determine if the motor is operating under safe load conditions.
5. Keep inlets and approaches to ventilator clean and free from obstruction.
6. Electronically commutated motors can be controlled two ways:



Figure 4

- a. A motor mounted potentiometer is mounted on the case of the motor to adjust the speed manually. See Figure 4. Turn the potentiometer using a screwdriver to adjust the speed.
- b. The motor includes a capped motor lead that can be connected to a Dayton variable-speed control kit. The motor lead cap can be removed and connected to the nine-pin motor/transformer harness lead. Follow installation instructions provided with optional speed control kit.



Remote Touch
35YV94



Remote Dial
43Y140



2-Speed
35YV92



Temp/Humidity
35YV93

7. Inspection of the ventilator should be conducted at the first 30 minutes and 24 hour intervals of satisfactory operation.
 - a. 30 Minute Interval – Inspect bolts, set screws and motor mounting bolts. Adjust and tighten as necessary.
 - b. 24 Hour Interval – Check all internal components.

TROUBLESHOOTING GUIDE

Symptom	Possible Cause(s)	Corrective Action
Ventilator inoperative	<ol style="list-style-type: none"> 1. Blown fuse or breaker 2. Defective motor 3. Incorrectly wired 	<ol style="list-style-type: none"> 1. Replace or repair 2. Replace or repair 3. Shut power OFF and check wiring for proper connections
Excessive noise or vibration	<ol style="list-style-type: none"> 1. Loose wheel 2. Accumulation of material on wheel 3. Ventilator base not securely anchored 4. Motor cover loose and rattling 5. Fan wheel out of balance 	<ol style="list-style-type: none"> 1. Tighten set screws 2. Clean 3. Secure properly 4. Tighten acorn nuts securing motor cover 5. Replace wheel
Insufficient airflow	<ol style="list-style-type: none"> 1. Blocked duct or clogged filters 2. Damper closed 3. Incorrect wheel rotation 4. Loose fitting duct sections permitting air loss 	<ol style="list-style-type: none"> 1. Clean or replace 2. Inspect/repair 3. Check motor wiring 4. Check for secure connection where duct sections are joined (suggest duct tape at seams for sealed closure)
Motor overloads or overheats	<ol style="list-style-type: none"> 1. Shorted motor winding 2. Incorrect wheel rotation 3. Over/Under line voltage 	<ol style="list-style-type: none"> 1. Replace motor 2. Check motor wiring 3. Contact Power Company

MAINTENANCE

⚠ WARNING

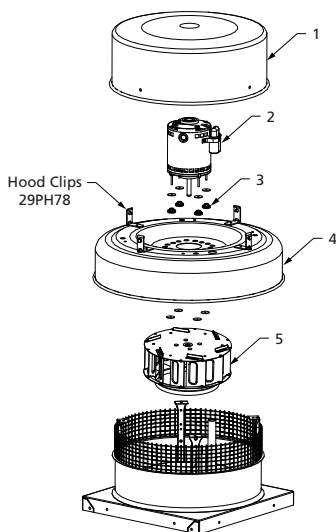
Disconnect and lockout power source before servicing.

⚠ CAUTION

Uneven cleaning of the wheel will produce an out of balance condition that will cause vibration in the ventilator.

1. Depending on the usage, a regularly scheduled inspection for cleaning the ventilator wheel, housing and surrounding areas should be established.
2. Keep inlets and approaches to ventilator clean and free from obstruction.
3. Check for unusual noises when ventilator is running.
4. Periodically inspect and tighten set screws.
5. Follow motor manufacturer's instructions for motor lubrication.
6. For critical applications, a spare motor should be available.

REPAIR PARTS ILLUSTRATION FOR CENTRIFUGAL DIRECT-DRIVE DOWNBLAST EXHAUST VENTILATORS



REPAIR PARTS LIST FOR CENTRIFUGAL DIRECT-DRIVE DOWNBLAST EXHAUST VENTILATORS

Ref. No.	Description	Part Number for Models:						Qty.
		2RB53	4YC64G	4YC65G	4YC66G	4YC67G	4YC68H	
1	Motor Cover	21DZ21	21DZ19	21DZ19	21DZ21	21DZ21	21DZ23	1
2	Motor	1AGF8	4YU32	4YU33	4YU34	4YU34	4YU19	1
3	Isolator Kit	21DZ08	21DZ08	21DZ08	21DZ08	21DZ08	21DY93	1
4	Shroud	21DY94	21DZ20	21DZ20	21DY94	21DY94	21DW43	1
5	Wheel	21DP30	21DY85	21DY86	21DY87	21DY87	21EC48	1

Ref. No.	Description	Part Number for Models:						Qty.
		4YC69H	4YC71H	4YC72H	4YC73H	4YC76J	4YC77J	
1	Motor Cover	21DZ23	21DZ23	21DZ24	21DZ24	21DZ25	21DZ25	1
2	Motor	4YU28	4YU28	6TWL4	4YU20	4YU21	4YY55	1
3	Isolator Kit	21DY93	21DY93	21DY93	21DY93	21DY93	21DY93	1
4	Shroud	21DW43	21DW44	21DW47	21DW46	21DW16	21DW16	1
5	Wheel	21EC48	21DZ46	21DW36	21DZ44	21DW17	21DZ54	1

For Repair Parts, call 1-800-Grainger
24 hours a day – 365 days a year

Please provide following information:

- Model number
- Serial number (if any)
- Part description and number as shown in parts list

Ref. No.	Description	Part Number for Models:						Qty.
		5DVR5	5DVR6	5DVR7	5DVR8	5DVR9	5DVT0	
1	Motor Cover	21DZ19	21DZ19	21DZ21	21DZ21	21DZ23	21DZ23	1
2	Motor	21DW27	4YU32	1AGF8	21DW28	4YU23	4YU27	1
3	Isolator Kit	21DZ08	21DZ08	21DZ08	21DZ08	21DY93	21DY93	1
4	Shroud	21DZ20	21DZ20	21DY94	21DY94	21DW42	21DW42	1
5	Wheel	21DW32	21DY84	21DW33	21DW34	21DY91	21DY91	1

Ref. No.	Description	Part Number for Models:						Qty.
		5DVT1	5DVT2A	5DVT3A	5DVT4A	6KWK4	6KWK5	
1	Motor Cover	21DZ23	21DZ23	21DZ23	21DZ24	21DZ23	21DZ23	1
2	Motor	4YU23	43Y136	43Y137	43Y138	4YU19	4YU23	1
3	Isolator Kit	21DY93	21DY93	21DY93	21DY93	21DY93	21DY93	1
4	Shroud	21DW44	21DW42	21DW43	21DW45	53F572	21DW43	1
5	Wheel	21DZ46	21DY91	21EC48	29PH76	21DV75	21DV75	1

Ref. No.	Description	Part Number for Models:						Qty.
		6KWK6	6KWK7A	16D527	16D528	16D529	16D530	
1	Motor Cover	21DZ23	21EA28	21DZ19	21DZ19	21DZ19	21DZ19	1
2	Motor	4YU27	21DV61	21DW27	4YU32	4YU32	4YU33	1
3	Isolator Kit	21DY93	21EA25	21DZ08	21DZ08	21DZ08	21DZ08	1
4	Shroud	21DW43	21DW16	21DZ20	21DZ20	21DZ20	21DZ20	1
5	Wheel	21DV75	21DW17	21DW32	21DY84	21DY85	21DY86	1

Ref. No.	Description	Part Number for Models:						Qty.
		16D531	16D532	16D533	16D534	16D535	16D536	
1	Motor Cover	21DZ21	21DZ21	21DZ21	21DZ21	21DZ23	21DZ23	1
2	Motor	1AGF8	1AGF8	21DW28	4YU34	4YU27	4YU28	1
3	Isolator Kit	21DZ08	21DZ08	21DZ08	21DZ08	21DY93	21DY93	1
4	Shroud	21DY94	21DY94	21DY94	21DY94	21DW42	21DW43	1
5	Wheel	21DW33	21DP30	21DW34	21DY87	21DY91	21EC48	1

Ref. No.	Description	Part Number for Models:						Qty.
		16D537	16D538	38AX30	38AX31	38AX32	48C188	
1	Motor Cover	21DZ23	21DZ23	21DZ23	21DZ24	21DZ25	21DZ21	1
2	Motor	4YU28	4YU23	41TL06	41TL06	41TL07	43Y135	1
3	Isolator Kit	21DY93	21DY93	21DY93	21DY93	21DY93	21DZ08	1
4	Shroud	21DW44	21DW44	21DW44	21DW45	21DW16	21DY94	1
5	Wheel	21DZ46	21DZ46	21DY09	29PH76	21DW17	21DP30	1

Ref. No.	Description	Part Number for Models:					Qty.
		48C189	48C190	48C192	52CD42	52GD43	
1	Motor Cover	21DZ21	21DZ23	21DZ25	21DZ23	21DZ24	1
2	Motor	43Y135	43Y138	43Y139	43Y137	43Y138	1
3	Isolator Kit	21DZ08	21DY93	21DY93	21DY93	21DY93	1
4	Shroud	21DY94	21DW44	21DW16	21DW43	21DW46	1
5	Wheel	21DW34	21DY09	21DW17	62XJ36	62XJ37	1

DAYTON ONE-YEAR LIMITED WARRANTY

DAYTON ONE-YEAR LIMITED WARRANTY. All Dayton® product models covered in this manual are warranted by Dayton Electric Mfg. Co. ("Dayton") to the original user against defects in workmanship or materials under normal use for one year after date of purchase. If the Dayton product is part of a set, only the portion that is defective is subject to this warranty. Any product or part which is determined to be defective in material or workmanship and returned to an authorized service location, as Dayton or Dayton's designee designates, shipping costs prepaid, will be, as the exclusive remedy, repaired or replaced with a new or reconditioned product or part of equal utility or a full refund given, at Dayton's or Dayton's designee's option, at no charge. For limited warranty claim procedures, see "Warranty Service" below. This warranty is void if there is evidence of misuse, mis-repair, mis-installation, abuse or alteration. This warranty does not cover normal wear and tear of Dayton products or portions of them, or products or portions of them which are consumable in normal use. This limited warranty gives purchasers specific legal rights, and you may also have other rights which vary from jurisdiction to jurisdiction.

WARRANTY DISCLAIMERS AND LIMITATIONS OF LIABILITY RELATING TO ALL CUSTOMERS FOR ALL PRODUCTS

LIMITATION OF LIABILITY. TO THE EXTENT ALLOWABLE UNDER APPLICABLE LAW, DAYTON'S LIABILITY FOR CONSEQUENTIAL AND INCIDENTAL DAMAGES IS EXPRESSLY DISCLAIMED. DAYTON'S LIABILITY IN ALL EVENTS IS LIMITED TO AND SHALL NOT EXCEED THE PURCHASE PRICE PAID.

WARRANTY DISCLAIMER. A DILIGENT EFFORT HAS BEEN MADE TO PROVIDE PRODUCT INFORMATION AND ILLUSTRATE THE PRODUCTS IN THIS LITERATURE ACCURATELY; HOWEVER, SUCH INFORMATION AND ILLUSTRATIONS ARE FOR THE SOLE PURPOSE OF IDENTIFICATION, AND DO NOT EXPRESS OR IMPLY A WARRANTY THAT THE PRODUCTS ARE MERCHANTABLE, OR FIT FOR A PARTICULAR PURPOSE, OR THAT THE PRODUCTS WILL NECESSARILY CONFORM TO THE ILLUSTRATIONS OR DESCRIPTIONS. EXCEPT AS PROVIDED BELOW, NO WARRANTY OR AFFIRMATION OF FACT, EXPRESSED OR IMPLIED, OTHER THAN AS STATED IN THE "LIMITED WARRANTY" ABOVE IS MADE OR AUTHORIZED BY DAYTON.

PRODUCT SUITABILITY. MANY JURISDICTIONS HAVE CODES AND REGULATIONS GOVERNING SALES, CONSTRUCTION, INSTALLATION, AND/OR USE OF PRODUCTS FOR CERTAIN PURPOSES, WHICH MAY VARY FROM THOSE IN NEIGHBORING AREAS. WHILE ATTEMPTS ARE MADE TO ASSURE THAT DAYTON PRODUCTS COMPLY WITH SUCH CODES, DAYTON CANNOT GUARANTEE COMPLIANCE, AND CANNOT BE RESPONSIBLE FOR HOW THE PRODUCT IS INSTALLED OR USED. BEFORE PURCHASE AND USE OF A PRODUCT, REVIEW THE SAFETY/SPECIFICATIONS, AND ALL APPLICABLE NATIONAL AND LOCAL CODES AND REGULATIONS, AND BE SURE THAT THE PRODUCT, INSTALLATION, AND USE WILL COMPLY WITH THEM.

CONSUMERS ONLY. CERTAIN ASPECTS OF DISCLAIMERS ARE NOT APPLICABLE TO CONSUMER PRODUCTS SOLD TO CONSUMERS; (A) SOME JURISDICTIONS DO NOT ALLOW THE EXCLUSION OR LIMITATION OF INCIDENTAL OR CONSEQUENTIAL DAMAGES, SO THE ABOVE LIMITATION OR EXCLUSION MAY NOT APPLY TO YOU; (B) ALSO, SOME JURISDICTIONS DO NOT ALLOW A LIMITATION ON HOW LONG AN IMPLIED WARRANTY LASTS, SO THE ABOVE LIMITATION MAY NOT APPLY TO YOU; AND (C) BY LAW, DURING THE PERIOD OF THIS LIMITED WARRANTY, ANY IMPLIED WARRANTIES OF MERCHANTABILITY OR FITNESS FOR A PARTICULAR PURPOSE APPLICABLE TO CONSUMER PRODUCTS PURCHASED BY CONSUMERS, MAY NOT BE EXCLUDED OR OTHERWISE DISCLAIMED.

THIS LIMITED WARRANTY ONLY APPLIES TO UNITED STATES PURCHASERS FOR DELIVERY IN THE UNITED STATES.

WARRANTY SERVICE

To obtain warranty service if you purchased the covered product directly from W.W. Grainger, Inc. ("Grainger"), (i) write or call or visit the local Grainger branch from which the product was purchased or another Grainger branch near you (see www.grainger.com for a listing of Grainger branches); or (ii) contact Grainger by going to www.grainger.com and clicking on the "Contact Us" link at the top of the page, then clicking on the "Email us" link; or (iii) call Customer Care (toll free) at 1-888-361-8649. To obtain warranty service if you purchased the covered product from another distributor or retailer, (i) go to www.grainger.com for Warranty Service; (ii) write or call or visit a Grainger branch near you; or (iii) call Customer Care (toll free) at 1-888-361-8649. In any case, you will need to provide, to the extent available, the purchase date, the original invoice number, the stock number, a description of the defect, and anything else specified in this Dayton One-Year Limited Warranty. You may be required to send the product in for inspection at your cost. You can follow up on the progress of inspections and corrections in the same ways. Title and risk of loss pass to buyer on delivery to common carrier, so if product was damaged in transit to you, file claim with carrier, not retailer, Grainger or Dayton. For warranty information for purchasers and/or delivery outside the United States, please use the following applicable contact information:

**Dayton Electric Mfg. Co.,
100 Grainger Parkway, Lake Forest, IL 60045 U.S.A.
or call +1-888-361-8649**