

# LSQ SERIES Lumasquare

Cat.#

Job

Type



**HUBBELL**  
Outdoor Lighting

Approvals

## SPECIFICATIONS

### Intended Use:

The sleek Lumasquare luminaire represents the culmination of function and form with low profile housing design and lens featuring low luminance soft glow lens. This unique lens features high efficiency and ultimate visual comfort. Available in two housing sizes and four lumen outputs for a variety of applications including building perimeter/security lighting, entrances, stairways, loading docks or canopies for schools, apartments or commercial buildings.

### Construction:

Rugged die-cast aluminum housing with corrosion resistant powder coat finish both protects and provides architectural appearance. Heat dissipating fins provide superior thermal performance extending the life of the electronic components.

### Electrical:

- 120-277V, 50/60Hz electronic drivers
- 347V and 480V available in larger LSQ2 housing
- 10KA surge protection included

### LED(s) Optics, CCT:

- 3000K, 4000K and 5000K CCT nominal with 70 CRI
- Impact resistant acylic diffuser
- low luminance soft glow lens provides blended non pixilated light for unprecedented visual comfort

### Options/Controls

- Button photocontrol for dusk to dawn energy savings. Stock versions include 120V-277V PC with a cover which provides a choice to engage photocontrol or not. PC is installed in top hub.
- Occupancy sensor available for on/off and dimming control in larger LSQ1 and LSQ2 housing
- SiteSync™ wireless lighting control delivers flexible control strategies for reducing power consumption and minimizing maintenance costs while delivering the right light levels with a simple and affordable wireless solution. See ordering information or visit [www.hubbellighting.com/sitesync](http://www.hubbellighting.com/sitesync) for more details.
- Battery backup options available in larger LSQ2 housing rated for either 0° C or -30° C. Performance exceeds NEC requirement providing 1 fc minimum over 10'x10' at 11' mounting height
- Battery backup units consume 6 watts when charging a dead battery and 2 watts during maintenance charging. EH (units with a heater) consume up to an additional 8 watts when charging if the battery temp is lower than 10° C

### Installation:

- Mounts to 4" junction box and includes a gasket to seal electrical connections
- Mounting plate and hook on fixture allow easy 4 step installation and wiring
- Four 1/2" threaded conduit hubs for surface conduit provided

### Listings

- Listed to UL1598 for use in wet location, listed for -40C to 40C applications
- IDA approved with zero uplight for 3000K and warmer CCTs
- DesignLights Consortium® (DLC) qualified. Please refer to the DLC website for specific product qualifications at [www.designlights.org](http://www.designlights.org)
- IP65

### Warranty:

Five year limited warranty (for more information visit: <http://www.hubbellighting.com/resources/warranty/>)

## PRODUCT IMAGE(S)

LSQ1

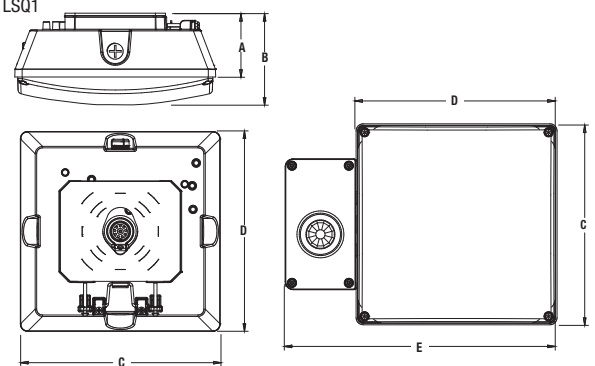


LSQ2



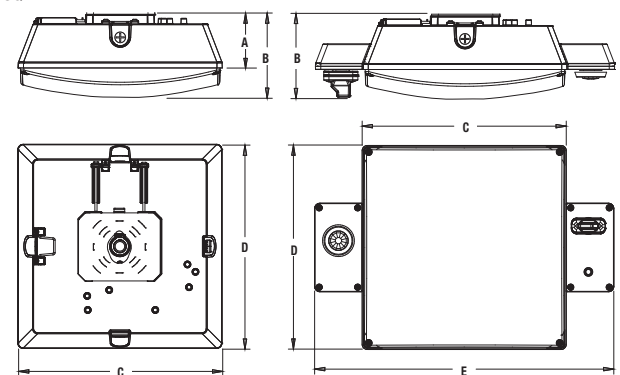
## DIMENSIONS

LSQ1



A	B	C	D	E	Weight
3.0"	4.0"	10.0"	10.0"	13.5"	10 lbs.
76.2 mm	101.6 mm	254 mm	254 mm	343 mm	4.5 kg

LSQ2



A	B	C	D	E	Weight
4.0"	6.0"	14.8"	14.8"	21.9"	15.5 lbs.
101.6 mm	152.4 mm	375 mm	375 mm	556 mm	7.0 kg

## CERTIFICATIONS/LISTINGS



\*3000K and warmer CCTs only



Hubbell Outdoor Lighting • 701 Millennium Boulevard • Greenville, SC 29607 • Phone: 864-678-1000

Due to our continued efforts to improve our products, product specifications are subject to change without notice.

© 2018 HUBBELL OUTDOOR LIGHTING, All Rights Reserved • For more information visit our website: [www.hubbelloutdoor.com](http://www.hubbelloutdoor.com) • Printed in USA LSQ-SPEC JANUARY 14, 2019 2:45 PM

## SHIPPING INFORMATION

Catalog Number	G.W.(kg)/CTN	Carton Dimensions			Carton Qty. per Master Pack
		Length Inch (cm)	Width Inch (cm)	Height Inch (cm)	
LSQ1	10lbs (4.5 kg)	9.5 (24)	8.25 (21)	5.25 (13.32)	6
LSQ2	15.5lbs (7 kg)	14 (35.5)	11.5 (29.2)	8 (20.3)	2

## ORDERING INFORMATION - Stock Versions

Catalog Number	Description
LSQ1-40-4K-PCU	40 watt, 4600 Lumen, 4000K, 70 CRI, 120-277V, Dark Bronze Textured, Photocell
LSQ1-40-4K-GYS-PCU	40 watt, 4600 Lumen, 4000K, 70 CRI, 120-277V, Gray Smooth, Photocell
LSQ2-70-4K-PCU	75 watt, 9300 Lumen, 4000K, 70 CRI, 120-277V, Dark Bronze Textured, Photocell
LSQ2-70-4K-GYS-PCU	75 watt, 9300 Lumen, 4000K, 70 CRI, 120-277V, Gray Smooth, Photocell

## ORDERING INFORMATION – ORDERING EXAMPLE: LSQ1-25-4K7-UNV-DB-PCU



FAMILY	CCT/CRI	VOLTAGE	COLOR/FINISH	CONTROL OPTIONS	OPTIONS
LSQ1-25 Size 1, 25w / 3,000lm	3K7 3000K, 70CRI	UNV 120V-277V	DB Dark Bronze Textured	PCU Button Photocontrol (120-277V)	E <sup>1,5</sup> Battery Backup Unit (0°C)
LSQ1-40 Size 1, 40w / 4,500lm	4K7 4000K, 70CRI	120 120V	BL Black Textured	SCP <sup>2,3</sup> Sensor Control, Programmable (Dim)	EH <sup>1,5</sup> Battery Backup Unit (-30°C)
LSQ2-55 Size 2, 55w / 7,000lm	5K7 5000K, 70CRI	208 208V	WH White Textured	SWP <sup>1,2</sup> SiteSync, Pre-Commission	F <sup>*</sup> Fusing (voltage specific)
LSQ2-70 Size 2, 75w / 9,000lm		240 240V	GYS Gray Smooth	SWPM <sup>1,2</sup> SiteSync, Pre-Commission w/Motion Sensor	2DR <sup>1</sup> Dual Drivers
		277 277V	PS Plat. Silver Smooth	SWF <sup>1,2</sup> SiteSync, Field Commission	2PF <sup>1,4</sup> Dual Power Feed
		UHV 347/480	GT Graphite Textured	SWFM <sup>1,2</sup> SiteSync, Field Commission w/Motion Sensor	SPC Polycarbonate Vandal Shield
			CC Custom Color	<b>Specify MTG HT for SCO/SCP &amp; SWPM</b>	
				8F Up to 8ft mounting height	
				20F Up to 20ft mounting height	

<sup>1</sup> Available in LSQ2-55 and LSQ2-70 only

<sup>2</sup> Available in 120V-277V only

<sup>3</sup> Must order minimum of one remote control (SCP-REMOTE) to program dimming settings, 0-10V fully adjustable dimming with automatic daylight calibration and different time delay settings (120-277V only)

<sup>4</sup> Comes with Dual Driver (2DR) option

<sup>5</sup> Must specify voltage, 120 or 277V only

### ACCESSORIES

**SCP-REMOTE** Remote control for SCP option. Order a minimum of one per project to program and control fixtures

**SCP-SPC** Polycarbonate Vandal Shield

## PERFORMANCE DATA

Catalog number	# of LEDs	Drive Current	System Watts	System Distribution	5K (5000K nominal, 70 CRI)					4K (4000K nominal, 70 CRI)					3K (3000K nominal, 80 CRI)				
					Lumens	LPW <sup>1</sup>	B	U	G	Lumens	LPW <sup>1</sup>	B	U	G	Lumens	LPW <sup>1</sup>	B	U	G
LSQ1	176	43mA	24.3	V	3181	131	2	3	2	3170	131	2	3	2	3055	126	2	3	2
		65mA	38.1	V	4626	121	2	3	2	4610	121	2	3	2	4443	117	2	3	2
LSQ2	352	43mA	54.6	V	7246	133	2	3	2	7221	132	2	3	2	6959	127	2	3	2
		65mA	73.5	V	9431	128	2	3	2	9398	128	2	3	2	9057	123	2	3	2

1. Lumen values are from photometric tests performed in accordance with IESNA LM-79-08. Data is considered to be representative of the configurations shown. Actual performance may differ as a result of end-user environment and application.

## ELECTRICAL DATA

Catalog number	# of Drivers	Input Voltage	Current (Amps)	System Power
LSQ1-25	1	120	0.21	25.7
		277	0.09	
LSQ1-40	1	120	0.31	37.0
		277	0.13	
LSQ2-55	1	120	0.43	51.3
		277	0.19	
LSQ2-70	1	120	0.60	71.8
		277	0.26	

## PROJECTED LUMEN MAINTENANCE

Ambient Temp.	OPERATING HOURS					L70 (hours)
	0	25,000	36,000 <sup>1</sup>	50,000	100,000	
25°C / 77°F	1.00	0.95	0.93	0.91	0.83	>185,000
40°C / 104°F	0.97	0.92	0.90	0.88	0.80	>170,000

1. Projected per IESNA TM-21-11 \* (Nichia 219B, 700mA, 85°C Ts, 10,000hrs) Data references the extrapolated performance projections for the LNC-12LU-5K base model in a 40°C ambient, based on 10,000 hours of LED testing per IESNA LM-80-08.

## LUMINAIRE AMBIENT TEMPERATURE FACTOR (LATF)

AMBIENT TEMPERATURE	LUMEN MULTIPLIER	
0° C	32° F	1.03
10° C	50° F	1.02
20° C	68° F	1.01
25° C	77° F	1.00
30° C	86° F	0.99
40° C	104° F	0.97
50° C	122° F	0.96

Use these factors to determine relative lumen output for average ambient temperatures from 0-40°C (32-104°F).



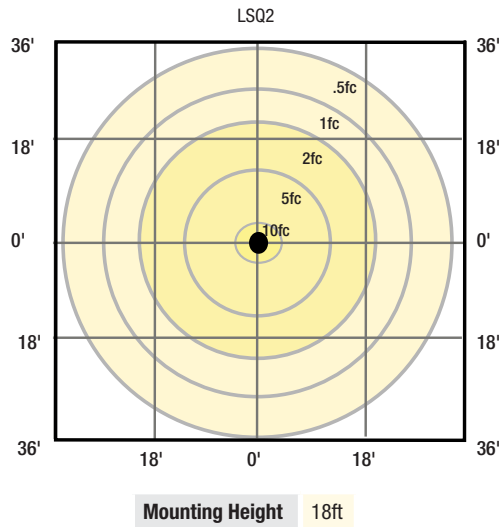
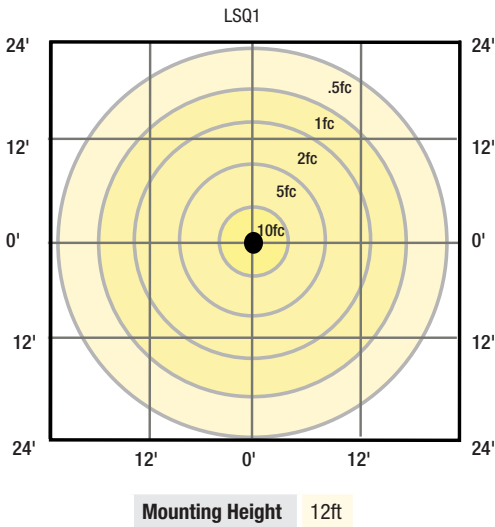
**HUBBELL**  
Outdoor Lighting

Hubbell Outdoor Lighting • 701 Millennium Boulevard • Greenville, SC 29607 • Phone: 864-678-1000

Due to our continued efforts to improve our products, product specifications are subject to change without notice.

© 2018 HUBBELL OUTDOOR LIGHTING, All Rights Reserved • For more information visit our website: [www.hubbelloutdoor.com](http://www.hubbelloutdoor.com) • Printed in USA LSQ-SPEC JANUARY 14, 2019 2:45 PM

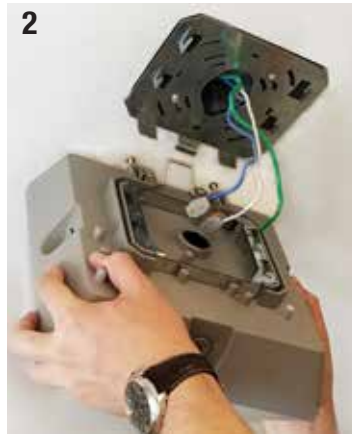
## PERFORMANCE



## INSTALLATION



Mount plate to junction box.



Hang fixture on mounting plate with provided integral hook.



Complete wiring connections.



Two mounting screws close and secure fixture to the mounting bracket.