

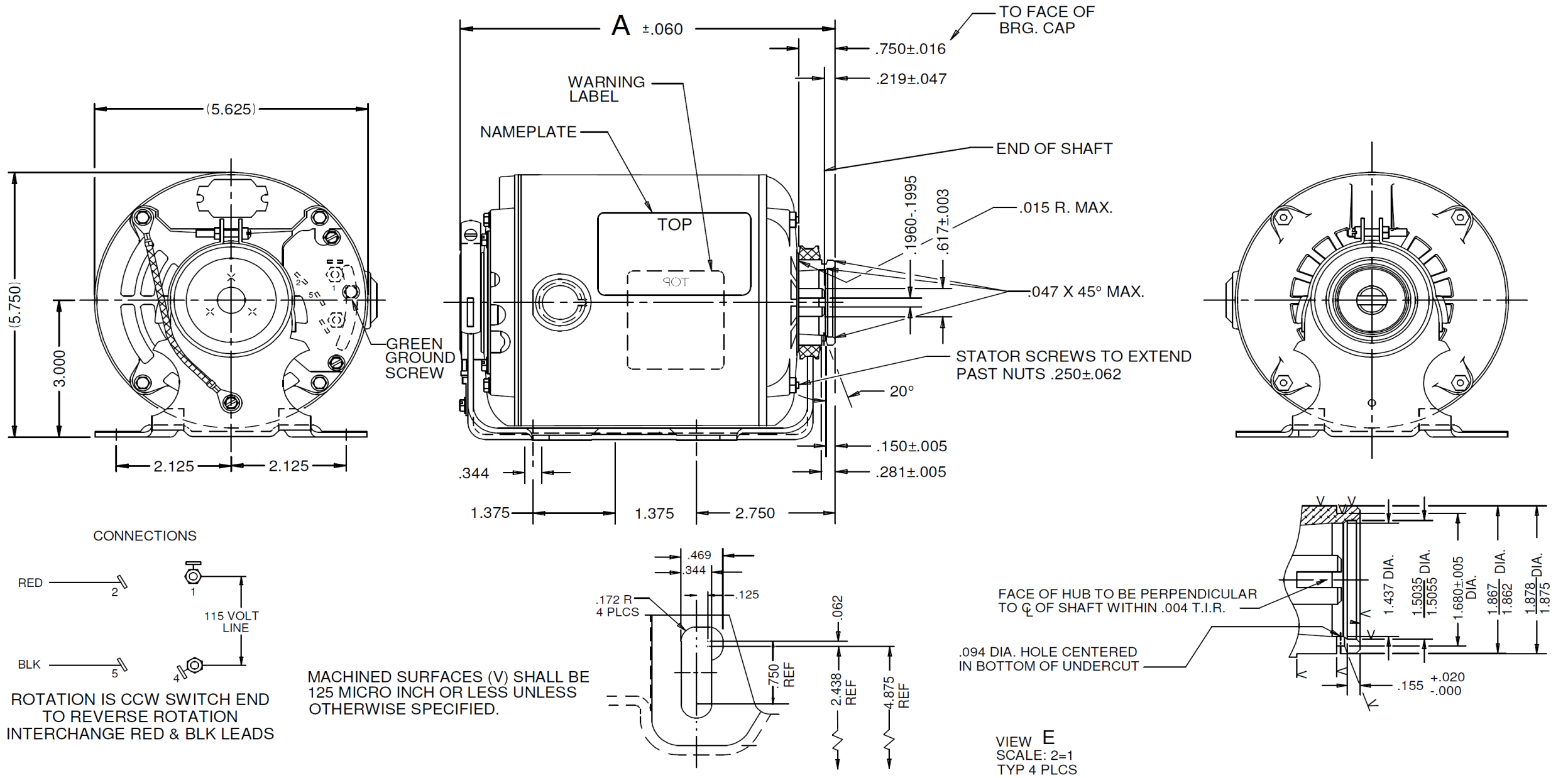
Dimensional Drawing



484H33A

REV.
-

VAR	MODEL	CUST. PT. NO.	A	B	C	D	HP	VOLTS	SF	AMPS	HZ	RPM	CONN VOLTS	PROT.	DESCRIPTION / REMARKS
001	S55JXPNG-8569	484H33A	8.69	-----	-----	-----	1/2	115	1.0	8.4	60	1725	---	AUTO	48YZ, ODP, BALL BEARING



DRAWING NO.	PAGE 1 of 1	REV.
484H33A		-

Dayton Electric Mfg. Co. Lake Forest, IL 60045 USA

484H33A

REV.
-

SPLIT-PHASE & CAPACITOR START MOTOR PERFORMANCE

HP:	1/2							
Poles:	4							
Ambient (°C):	40							
Altitude (FASL):								
No. of Speeds:	1							
Volts:	115	115						
HZ:	60	60						
Service Factor:	1.00							
Efficiency:	@ Rated Load	57.30						
Power Factor:	@ Rated Load	67.30						
Amps:	@ No Load	6.60						
	@ Rated Load	8.41						
	@ Service Factor	8.41						
	@ Locked Rotor	51.66						
RPM:	@ Rated Load	1720						
Torques:	Breakdown	54.8						
	Locked Rotor	37.48						
	Pull-Up	30.44						
	Rated Load	24.42						
	Service Factor	24.42						
Watts:	Rated Load	651						
KVA Code:						N		
Temperature Rise:	@ Rated Load	72.20						
	@ Service Factor							
Thermal Protector:	Trip Temp (°C)	128.20						
Winding Material:	Start (Auxiliary)							
	Run (Main)							
Capacitor(s):	Start (MFD / Volts)							
	No. of Start Capacitors							
	Run (MFD / Volts)							
	No. of Run Capacitors							

LOW SPEED PERFORMANCE DATA:

HP:								
Poles:								
Volts:								
HZ:								
Efficiency:	@ Rated Load							
Power Factor:	@ Rated Load							
Amps:	@ No Load							
	@ Rated Load							
	@ Service Factor							
	@ Locked Rotor							
Torques:	BreakDown							
	Locked Rotor							
	Pull-Up							
	Rated Load							
	Service Factor							
Watts:	@ Rated Load							
Temperature Rise:	@ Rated Load							
	@ Service Factor							

DRAWING NO. PAGE 1 of 1
484H33A

REV.
-

Performance Data



484H33A

REV.

-

Dayton Manufacturing Company

Motor Description

Model: S055PNG8569015E 484H33
 Motor ID: 1 of 1
 Poles: 4
 Volts: 115
 Frequency: 60
 HP: 1/2
 Speed: 1725
 Phase: 1
 Protector: MEJ20CY

Test Conditions

Test Type: Start
 Test Number: 7
 Poles: 4
 Volts: 115
 Hz: 60
 Rotation: CCWLE
 Special Cond:
 Speed Conn:
 TestBoard: Amtps Performance Fixture #3
 Run Cap: 0
 Start Cap: 0µfd
 Environment:
 Tested: 1/10/2011 1:45:01 PM
 Tested By: Sharp, Gerald
 Gear Ratio: 1:1
 Bearing Friction: -0.73 Oz-Ft
 Windage Torque: -3.45 Oz-Ft

Special Points	Vline (V)	Iline (A)	I _{main} (A)	I _{aux} (A)	Watts	RPM	Tq (Oz-ft)	HP	Eff (%)	PF (%)
	115.0	51.91	30.98	21.87	4880	1	38.03	0.000	0.0	81.7
	115.0	51.76	30.98	21.73	4873	15	37.30	0.007	0.1	81.9
	115.0	51.68	31.08	21.42	4866	125	34.89	0.052	0.8	81.9
PUT OZ-FT	115.0	51.71	31.28	21.20	4862	183	30.44	0.066	1.0	81.8
	115.0	51.53	31.23	20.95	4852	257	34.35	0.105	1.6	81.9
	115.0	51.17	31.17	20.52	4830	379	37.19	0.168	2.6	82.1
	115.0	50.76	31.05	20.09	4803	492	40.79	0.239	3.7	82.3
	115.0	50.26	30.87	19.66	4765	595	42.91	0.304	4.8	82.4
	115.0	49.78	30.65	19.28	4730	691	44.46	0.366	5.8	82.6
	115.0	49.23	30.37	18.92	4689	780	46.58	0.433	6.9	82.8
	115.0	48.61	30.05	18.56	4639	863	48.34	0.497	8.0	83.0
	115.0	47.93	29.68	18.22	4590	940	50.20	0.562	9.1	83.3
	115.0	47.23	29.28	17.92	4532	1011	51.16	0.616	10.1	83.4
	115.0	46.54	28.84	17.63	4473	1078	52.11	0.668	11.2	83.6
	115.0	45.79	28.38	17.40	4409	1140	52.16	0.708	12.0	83.7
	115.0	45.01	27.89	17.21	4343	1197	52.20	0.744	12.8	83.9
	115.0	44.20	27.39	17.00	4267	1250	51.23	0.762	13.3	84.0
	115.0	43.41	26.77	17.00	4199	1299	49.23	0.761	13.5	84.1
	115.0	42.60	26.19	16.97	4119	1345	47.29	0.757	13.7	84.1
	115.0	41.80	25.58	16.99	4045	1388	45.37	0.750	13.8	84.1
	115.0	41.04	24.98	17.07	3966	1426	42.31	0.718	13.5	84.0
	115.0	40.26	24.35	17.18	3887	1463	39.19	0.682	13.1	84.0
	115.0	39.47	23.68	17.36	3801	1496	36.02	0.642	12.6	83.8
	115.0	38.80	23.11	17.53	3729	1527	32.01	0.582	11.6	83.6
	115.0	38.09	22.48	17.75	3655	1555	28.04	0.519	10.6	83.4
	115.0	37.41	21.87	17.98	3577	1583	24.39	0.460	9.6	83.2
	115.0	36.78	21.25	18.25	3505	1608	19.27	0.369	7.8	82.9
	115.0	36.17	20.64	18.52	3430	1631	15.05	0.292	6.4	82.5
	115.0	35.58	20.02	18.82	3360	1653	9.83	0.194	4.3	82.1
	115.0	34.96	19.42	19.09	3286	1673	4.92	0.098	2.2	81.7
	115.0	34.45	18.80	19.39	3220	1692	0.09	0.002	0.0	81.3
	115.0	34.41	18.77	19.41	3215	1694	0.00	0.000	0.0	81.3

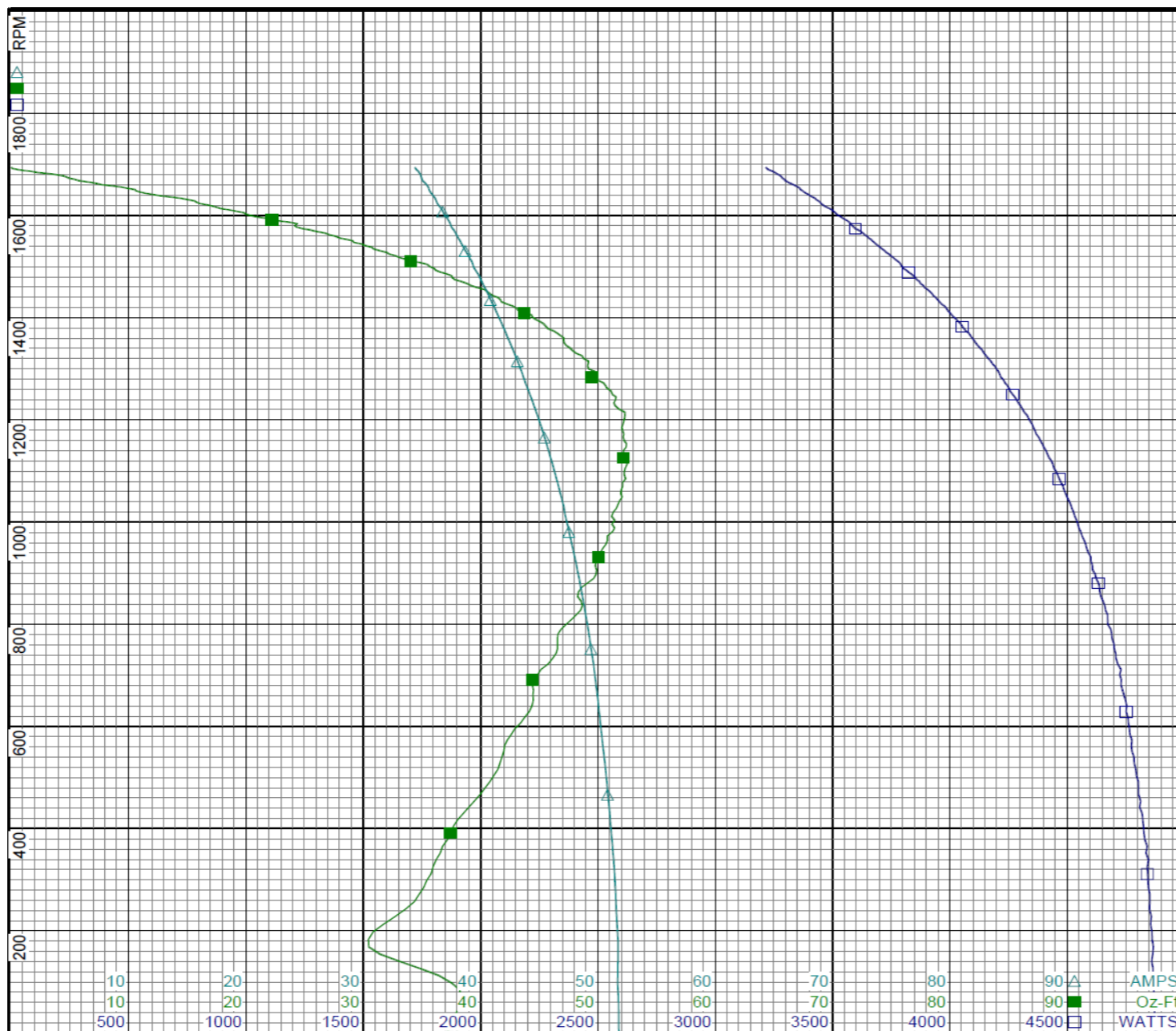
DRAWING NO. PAGE 1 of 4 REV.
484H33A -

Dayton Electric Mfg. Co. Lake Forest, IL 60045 USA

Performance Data



484H33A REV.
-



Dayton

Curve Descriptions:
Motor(1) Test 7 Start 115V 60 Hz 4P
CCWLE

- SPEED vs WATTS
- SPEED vs TORQUE
- △ SPEED vs ILine

Motor Ratings:
(1) S055PNG8569015E 484H33

DRAWING NO. PAGE 2 of 4 REV.
484H33A -

Dayton Electric Mfg. Co. Lake Forest, IL 60045 USA

Performance Data



484H33A

REV.

-

Dayton Manufacturing Company

Motor Description

Model: S055PNG8569015E 484H33
 Motor ID: 1 of 1
 Poles: 4
 Volts: 115
 Frequency: 60
 HP: 1/2
 Speed: 1725
 Phase: 1
 Protector: MEJ20CY

Test Conditions

Test Type: Run
 Test Number: 6
 Poles: 4
 Volts: 115
 Hz: 60
 Rotation: CCWLE
 Special Cond:
 Speed Conn:
 TestBoard: Amps Performance Fixture #3
 Run Cap: 0
 Start Cap: 0µfd
 Environment:
 Tested: 1/10/2011 1:40:05 PM
 Tested By: Sharp, Gerald
 Gear Ratio: 1:1
 Bearing Friction: -0.65 Oz-Ft
 Windage Torque: -3.49 Oz-Ft

Special Points	Vline (V)	Iline (A)	Watts	RPM	Tq(Oz-ft)	HP	Eff (%)	PF (%)
	115.0	6.35	191	1781	0.00	0.000	0.0	26.1
	115.0	6.70	345	1761	8.59	0.180	38.9	44.9
	115.0	7.37	483	1742	16.23	0.336	51.9	57.0
1725 RPM	115.0	8.27	622	1725	22.86	0.470	56.3	65.4
	115.0	8.38	645	1721	24.04	0.492	57.0	66.9
24.3 OZ-FT	115.0	8.40	649	1720	24.30	0.498	57.2	67.2
0.5 HP	115.0	8.41	651	1720	24.42	0.500	57.3	67.3
	115.0	9.18	760	1699	29.54	0.597	58.6	72.0
	115.0	10.40	919	1677	36.48	0.728	59.1	76.8
	115.0	11.67	1059	1655	41.19	0.811	57.2	78.9
	115.0	12.88	1191	1630	45.29	0.879	55.0	80.4
	115.0	14.17	1327	1602	49.03	0.935	52.6	81.4
	115.0	15.47	1452	1573	51.66	0.967	49.7	81.6
	115.0	16.69	1568	1541	53.43	0.980	46.6	81.7
	115.0	17.98	1685	1506	54.07	0.969	42.9	81.5
BDT OZ-FT	115.0	19.18	1789	1468	54.83	0.958	40.0	81.1
	115.0	19.18	1789	1468	54.83	0.958	40.0	81.1
	115.0	20.39	1888	1427	54.14	0.920	36.4	80.5
	115.0	21.55	1977	1382	52.98	0.871	32.9	79.8
	115.0	22.64	2057	1333	51.23	0.813	29.5	79.0
	115.0	23.70	2125	1280	48.61	0.741	26.0	78.0
	115.0	24.70	2191	1223	45.60	0.664	22.6	77.1
	115.0	25.64	2246	1162	42.26	0.584	19.4	76.2
	115.0	26.48	2295	1095	38.39	0.500	16.3	75.3
	115.0	27.25	2331	1022	34.45	0.419	13.4	74.4
	115.0	27.95	2368	945	30.11	0.339	10.7	73.7
	115.0	28.60	2396	861	25.83	0.265	8.2	72.9
	115.0	29.17	2418	772	20.72	0.190	5.9	72.1
	115.0	29.67	2438	676	16.29	0.131	4.0	71.4
	115.0	30.10	2449	573	11.86	0.081	2.5	70.8
	115.0	30.42	2459	464	7.07	0.039	1.2	70.3
	115.0	30.67	2467	346	2.80	0.012	0.3	69.9
	115.0	30.79	2464	222	-1.53	-0.004	0.0	69.6
PUT OZ-FT	115.0	30.79	2465	209	-1.61	-0.004	0.0	69.6
	115.0	30.82	2469	90	1.09	0.001	0.0	69.6

DRAWING NO.	PAGE 3 of 4	REV.
484H33A		-

Dayton Electric Mfg. Co. Lake Forest, IL 60045 USA

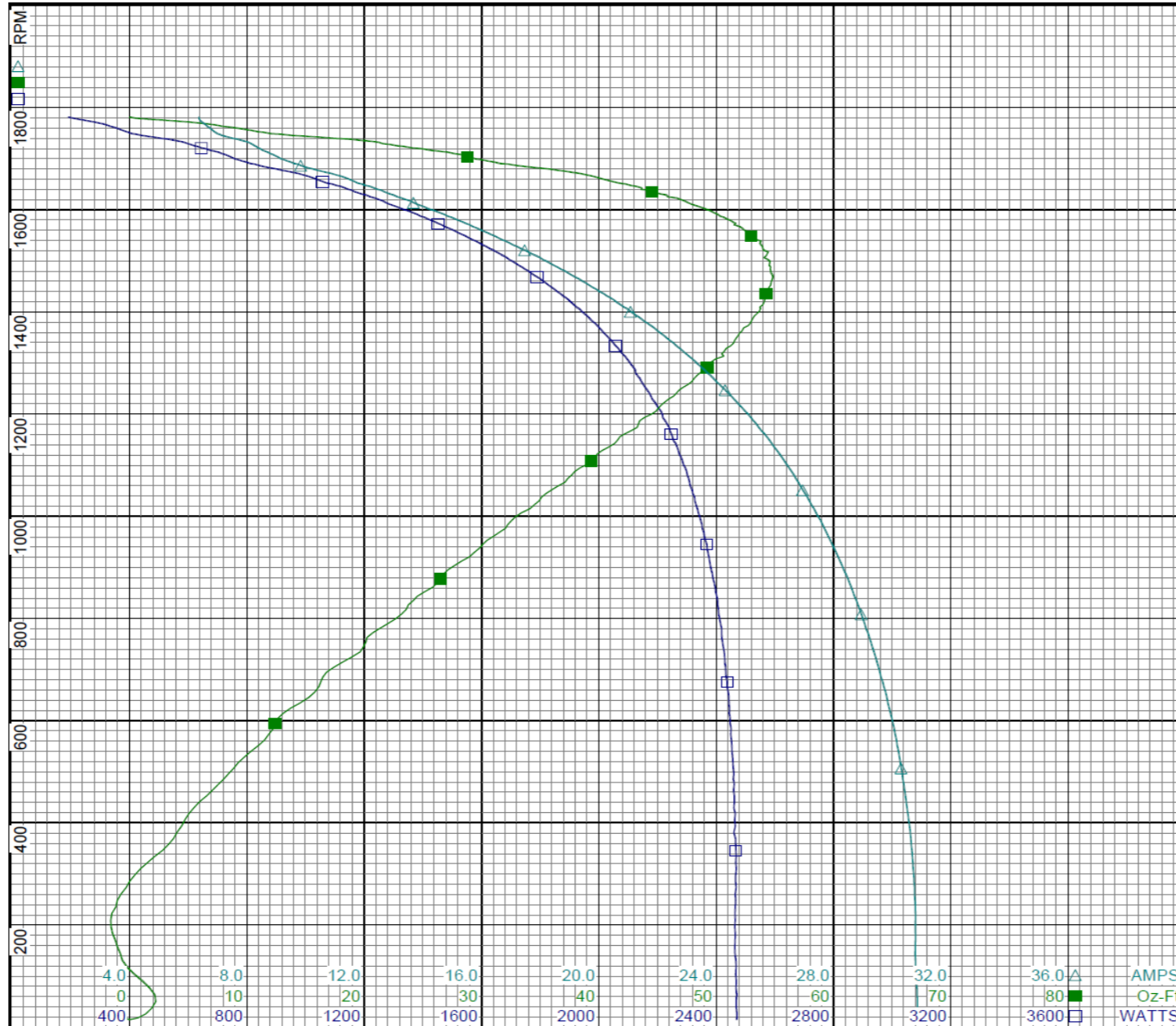
Performance Data



484H33A

REV.

-



Curve Descriptions:

Motor(1) Test 6 Run 115V 60 Hz 4P
CCWLE

- SPEED vs WATTS
- SPEED vs TORQUE
- △ SPEED vs ILine

Motor Ratings:

(1) S055PNG8569015E 484H33

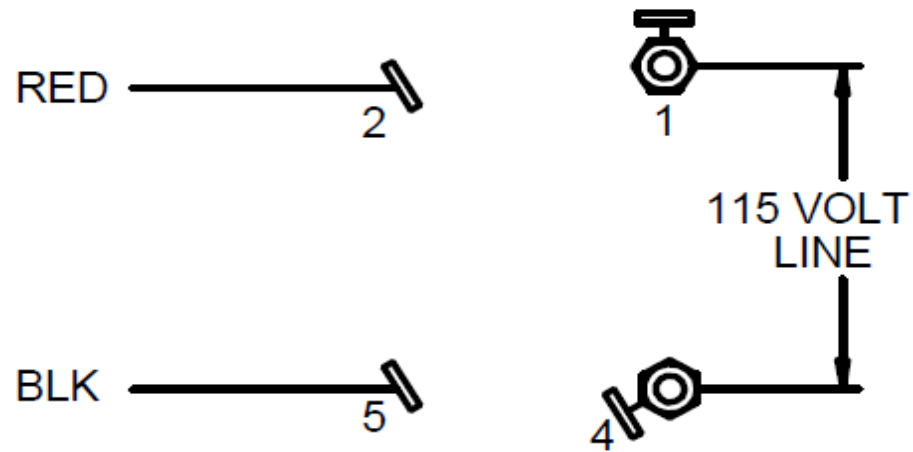
DRAWING NO.	PAGE 4 of 4	REV.
484H33A		-

Dayton Electric Mfg. Co. Lake Forest, IL 60045 USA

484H33A

REV.
-

CONNECTIONS

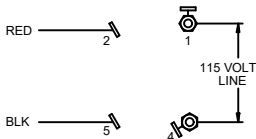


TO REVERSE ROTATION
INTERCHANGE RED & BLK LEADS

DRAWING NO.	PAGE 1 of 1	REV.
484H33A		-

Dayton[®]

CARBONATOR PUMP MOTOR

HP: 1/2
VOLTS: 115**AMPS:** 8.4**RPM:** 1725**DUTY:** CONT**SF:** 1.0**KVA CODE:** N**ENCL:** ODP**THERMALLY PROTECTED:** AUTOMFG. NO. PROT. CODE: 04350**MTR REF:** S55JXPNG-8569**PH:** 1**HZ:** 60**FR:** 48YZ**INS CL:** B**AMB:** 40 °C**SFA:** 8.4AVG. F.L.
EFF.Part
No **484H33A****Disconnect Power Before Making Any
Electrical Connections or Changes****CONNECTIONS****TO REVERSE ROTATION
INTERCHANGE RED & BLK LEADS****UL**[®]
US
E37403

Mfd for Dayton Electric Mfg. Co., Lake Forest, IL 60045 USA

Made in Mexico