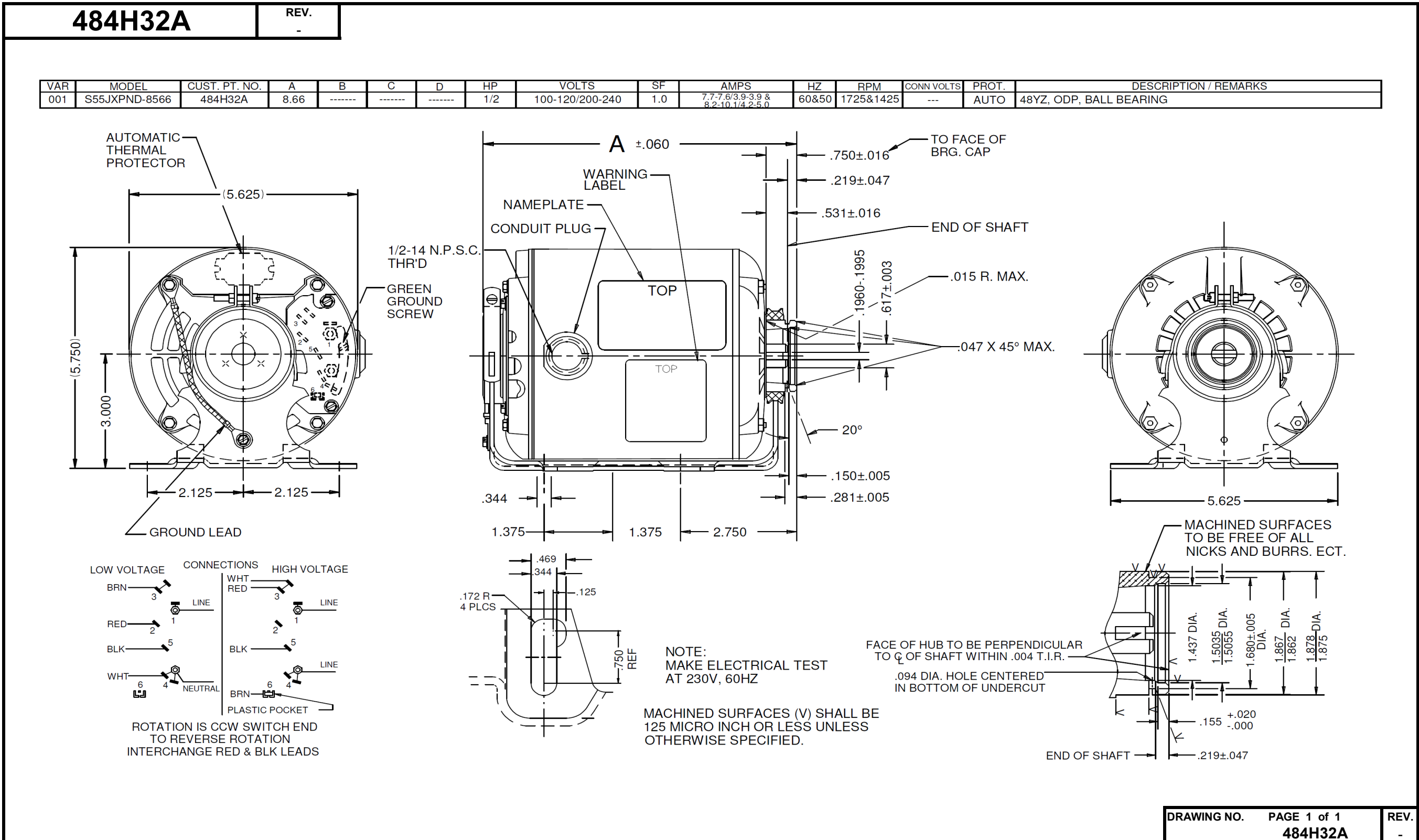


Dimensional Drawing



DRAWING NO.	PAGE 1 of 1	REV.
	484H32A	-

Dayton Electric Mfg. Co. Lake Forest, IL 60045 USA

Performance Data



484H32

REV.
-

SPLIT-PHASE & CAPACITOR START MOTOR PERFORMANCE

HP:	1/2								
Poles:	4								
Ambient (°C):	40								
Altitude (FASL):									
No. of Speeds:	1								
Volts:	100-120 & 200-240	100	120	200	240	100	120	200	240
HZ:	60 & 50	60	60	60	60	50	50	50	50
Service Factor:	1.00								
Efficiency:	@ Rated Load	65.10	65.50	63.40	63.40	64.8	56.20	63.50	56.1
Power Factor:	@ Rated Load	74.20	61.90	74.90	62.90	69.7	54.60	70.30	55.2
Amps:	@ No Load	4.37	6.09	2.19	3.02	6.005	9.41	2.97	4.786
	@ Rated Load	7.72	7.67	3.93	3.90	8.26	10.11	4.18	5.01
	@ Service Factor	7.72	7.67	3.93	3.90	8.26	10.11	4.18	5.01
	@ Locked Rotor	37.09	44.72	17.26	21.39	38.58	49.84	19.68	22.77
RPM:	@ Rated Load	1692	1730	1687	1728	1411	1438	1407	1437
Torques:	Breakdown	40.9	61.3	40.2	60.5	55.1	80.2	54.3	79.83
	Locked Rotor	24.82	37.41	22.07	34.04	31.41	47.98	31.44	41.50
	Pull-Up	22.43	34.51	20.08	31.90	30.61	45.38	28.58	41.55
	Rated Load	24.83	24.27	24.90	24.30	29.78	29.23	29.84	29.23
	Service Factor	24.83	24.27	24.90	24.30	29.78	29.23	29.84	29.23
Watts:	Rated Load	573	570	589	588	576	663	588	664
KVA Code:		M							
Temperature Rise:	@ Rated Load	39.70	41.20	41.30	40.10	60.30	80.40	62.80	79.80
	@ Service Factor	-	-	-	-	-	-	-	-
Thermal Protector:	Trip Temp (°C)	144.90	146.50	143.90	144.50	144.60	146.60	142.30	146.70
Winding Material:	Start (Auxiliary)	Cu							
	Run (Main)	Cu							
Capacitor(s):	Start (MFD / Volts)	--							
	No. of Start Capacitors	--							
	Run (MFD / Volts)	--							
	No. of Run Capacitors	--							

LOW SPEED PERFORMANCE DATA:

HP:									
Poles:									
Volts:									
HZ:									
Efficiency:	@ Rated Load								
Power Factor:	@ Rated Load								
Amps:	@ No Load								
	@ Rated Load								
	@ Service Factor								
	@ Locked Rotor								
Torques:	BreakDown								
	Locked Rotor								
	Pull-Up								
	Rated Load								
	Service Factor								
Watts:	@ Rated Load								
Temperature Rise:	@ Rated Load								
	@ Service Factor								

DRAWING NO. PAGE 1 of 1
484H32

REV.
-

Performance Data



484H32A

REV.

-

Dayton Manufacturing Company

Motor Description

Model: S055PND856601 484H32
 Motor ID: 1 of 1
 Poles: 4
 Volts: 120/240
 Frequency: 50/60
 HP: 1/2
 Speed: 1725
 Phase: 1
 Protector: MEJ30AR

Test Conditions

Test Type: Start
 Test Number: 7
 Poles: 4
 Volts: 120
 Hz: 60
 Rotation:
 Special Cond:
 Speed Conn:
 TestBoard: CMD InLine Three Phase #4 Fixture #1
 Run Cap: 0
 Start Cap: 0µfd
 Environment: 22.8 Deg C 60 % RH 974 hPa
 Tested: 11/13/2017 7:55:56 AM
 Tested By: Chavarria, Maria
 Gear Ratio: 1:1
 Bearing Friction: -0.51 Oz-Ft
 Windage Torque: -1.41 Oz-Ft

Special Points	Vline (V)	Vaux (V)	Vcap (V)	Iline (A)	Watts	RPM	Tq (Oz-ft)	HP	Eff (%)	PF (%)
	120.0	2.1	3.2	45.38	4130	9	38.01	0.004	0.1	75.8
	120.0	2.0	3.2	45.01	4101	163	34.82	0.068	1.2	75.9
PUT OZ-FT	120.0	2.0	3.2	44.97	4101	203	34.51	0.083	1.5	76.0
	120.0	2.0	3.2	44.74	4089	281	37.51	0.125	2.3	76.2
	120.0	2.0	3.2	44.15	4052	440	42.17	0.221	4.1	76.5
	120.0	2.0	3.2	43.47	4008	587	45.93	0.321	6.0	76.8
	120.0	2.0	3.2	42.70	3960	721	49.78	0.427	8.0	77.3
	120.0	2.0	3.2	41.84	3900	836	52.80	0.526	10.1	77.7
	120.0	2.0	3.2	40.87	3832	947	55.77	0.629	12.2	78.1
	120.0	2.0	3.2	39.86	3755	1045	57.29	0.713	14.2	78.5
	120.0	1.9	3.2	39.05	3691	1112	57.49	0.761	15.4	78.8
	120.0	1.9	3.2	23.18	2055	1201	50.57	0.723	26.3	73.9
	120.0	1.9	3.2	21.77	1967	1284	54.41	0.832	31.5	75.3
	120.0	1.9	3.2	20.34	1867	1354	56.82	0.916	36.6	76.5
	120.0	1.9	3.2	18.72	1745	1422	57.99	0.981	42.0	77.7
	120.0	1.9	3.1	17.06	1608	1480	57.86	1.020	47.3	78.5
	120.0	1.9	3.1	15.45	1464	1531	56.02	1.021	52.0	79.0
	120.0	1.9	3.2	13.90	1316	1575	52.88	0.991	56.2	78.9
	120.0	1.8	3.2	12.76	1202	1604	49.65	0.948	58.8	78.5
	120.0	1.9	3.1	11.31	1048	1639	45.07	0.879	62.6	77.2
	120.0	1.9	3.2	9.63	851	1678	37.14	0.742	65.0	73.7
	120.0	1.9	3.1	8.54	711	1703	31.10	0.631	66.1	69.4
	120.0	2.0	3.1	7.55	576	1726	24.56	0.505	65.3	63.6
	120.0	1.8	3.1	7.07	503	1739	20.71	0.429	63.6	59.2
	120.0	0.0	3.2	6.38	371	1758	13.80	0.289	58.1	48.4
	120.0	2.0	3.0	6.10	298	1769	9.58	0.202	50.5	40.7
	120.0	1.9	3.1	6.08	235	1779	5.72	0.121	38.4	32.2
	120.0	0.0	3.2	5.84	184	1786	3.16	0.067	27.2	26.3
	120.0	1.9	3.1	5.99	155	1791	0.90	0.019	9.3	21.6
	120.0	1.9	3.1	6.00	142	1793	0.00	0.000	0.0	19.7

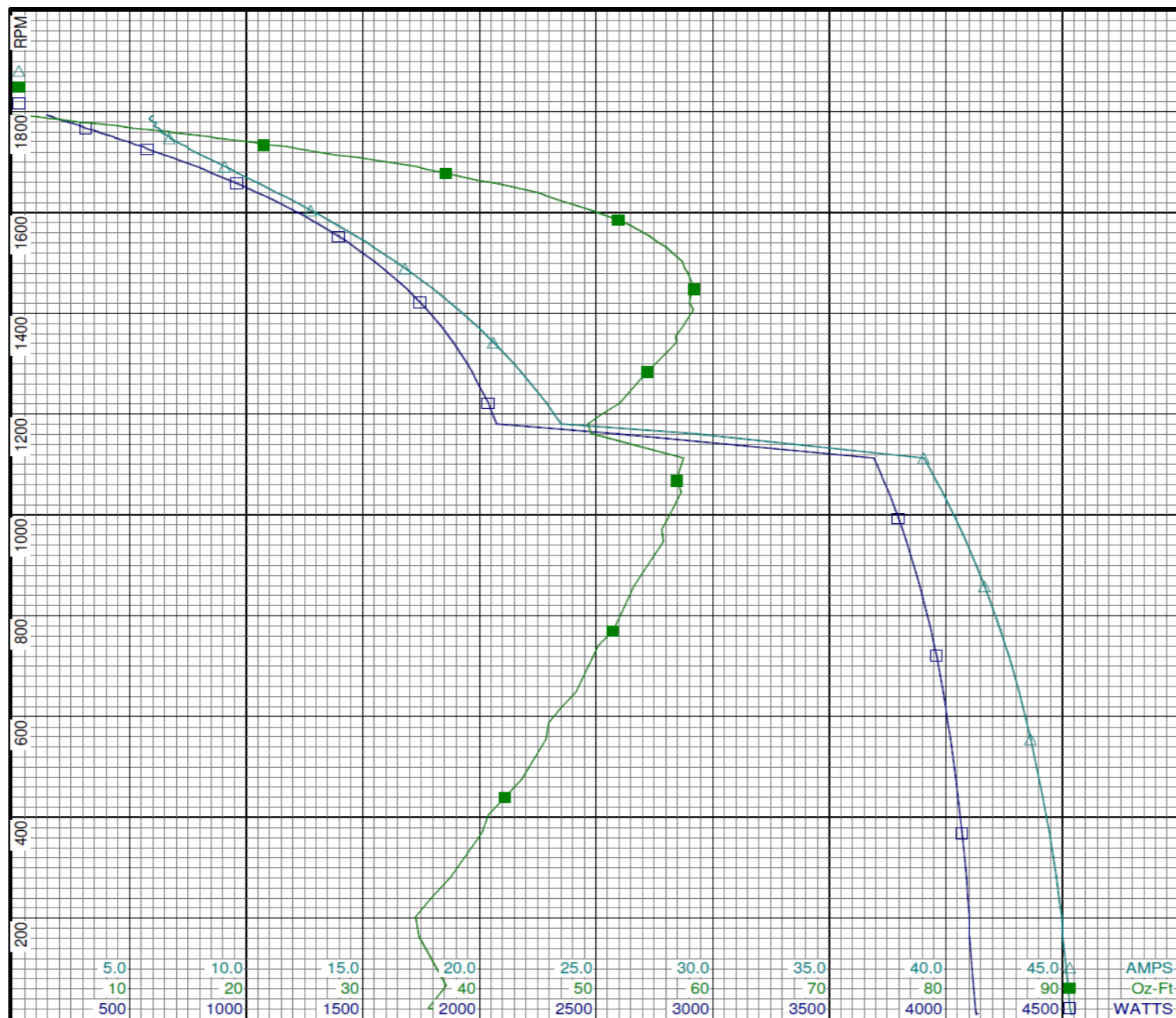
DRAWING NO. PAGE 1 of 8 REV.
484H32A -

Dayton Electric Mfg. Co. Lake Forest, IL 60045 USA

Performance Data



484H32A REV. -



Curve Descriptions:
 Motor(1) Test 7 Start 120V 60 Hz 4P

- SPEED vs WATTS
- SPEED vs TORQUE
- △ SPEED vs ILine

Motor Ratings:
 (1) S055PND856601 484H32

DRAWING NO.	PAGE 2 of 8	REV.
484H32A		-

Dayton Electric Mfg. Co. Lake Forest, IL 60045 USA

Performance Data



484H32A	REV. -
----------------	-----------

Dayton Manufacturing Company

Motor Description

Model: S055PND856601 484H32
 Motor ID: 1 of 1
 Poles: 4
 Volts: 120/240
 Frequency: 50/60
 HP: 1/2
 Speed: 1725
 Phase: 1
 Protector: MEJ30AR

Test Conditions

Test Type: Run
 Test Number: 6
 Poles: 4
 Volts: 120
 Hz: 60
 Rotation:
 Special Cond:
 Speed Conn:
 TestBoard: CMD InLine Three Phase #4 Fixture #1
 Run Cap: 0
 Start Cap: 0µfd
 Environment: 22.8 Deg C 60 % RH 974 hPa
 Tested: 11/13/2017 7:30:03 AM
 Tested By: Chavarria, Maria
 Gear Ratio: 1:1
 Bearing Friction: -0.61 Oz-Ft
 Windage Torque: -1.71 Oz-Ft

Special Points	Vline (V)	Vaux (V)	Vcap (V)	Iline (A)	Watts	RPM	Tq(Oz-ft)	HP	Eff (%)	PF (%)
	120.0	1.8	3.0	6.17	153	1787	0.00	0.000	0.0	20.6
	120.0	1.7	3.1	6.03	200	1782	3.26	0.069	25.8	27.6
	120.0	1.7	3.1	6.30	282	1774	8.49	0.179	47.4	37.3
	120.0	1.9	3.0	6.36	339	1765	11.76	0.247	54.4	44.4
	120.0	1.7	3.1	6.85	445	1750	17.71	0.369	61.8	54.2
	120.0	1.8	3.1	7.65	565	1731	24.05	0.495	65.4	61.6
0.5 HP	120.0	1.8	3.1	7.67	570	1730	24.27	0.500	65.5	61.9
24.34 OZ-FT	120.0	1.8	3.1	7.67	571	1730	24.34	0.501	65.5	62.0
	120.0	1.7	3.1	8.64	715	1708	31.42	0.639	66.7	69.0
	120.0	1.8	3.1	9.80	863	1684	38.07	0.763	66.0	73.4
	120.0	1.8	3.1	11.28	1037	1652	44.99	0.885	63.6	76.6
	120.0	1.8	3.1	12.94	1214	1617	50.80	0.978	60.1	78.1
	120.0	1.8	3.1	14.60	1380	1577	55.98	1.051	56.8	78.8
	120.0	1.8	3.1	16.27	1534	1532	58.94	1.075	52.3	78.6
	120.0	1.8	3.1	17.51	1642	1494	60.61	1.078	49.0	78.2
BDT OZ-FT	120.0	1.9	3.1	18.78	1747	1451	61.31	1.059	45.2	77.5
	120.0	1.9	3.1	19.66	1815	1422	60.54	1.025	42.1	76.9
	120.0	1.9	3.1	20.72	1894	1377	60.16	0.986	38.9	76.2
	120.0	1.9	3.1	22.26	1998	1305	57.76	0.897	33.5	74.8
	120.0	1.9	3.1	23.58	2079	1230	54.42	0.797	28.6	73.5
	120.0	1.9	3.1	24.80	2146	1146	50.05	0.683	23.7	72.1
	120.0	1.9	3.1	26.07	2205	1037	43.07	0.532	18.0	70.5
	120.0	1.9	3.2	26.93	2241	943	38.15	0.428	14.3	69.3
	120.0	1.9	3.2	27.70	2268	835	32.01	0.318	10.5	68.2
	120.0	1.9	3.2	28.28	2285	727	26.94	0.233	7.6	67.3
	120.0	2.0	3.1	28.78	2298	613	21.21	0.155	5.0	66.6
	120.0	2.0	3.2	44.96	4129	496	45.27	0.267	4.8	76.5
	120.0	2.0	3.2	45.00	4126	320	40.30	0.154	2.8	76.4
	120.0	2.0	3.2	44.89	4112	168	36.09	0.072	1.3	76.3

DRAWING NO.	PAGE 3 of 8	REV.
	484H32A	-

Dayton Electric Mfg. Co. Lake Forest, IL 60045 USA

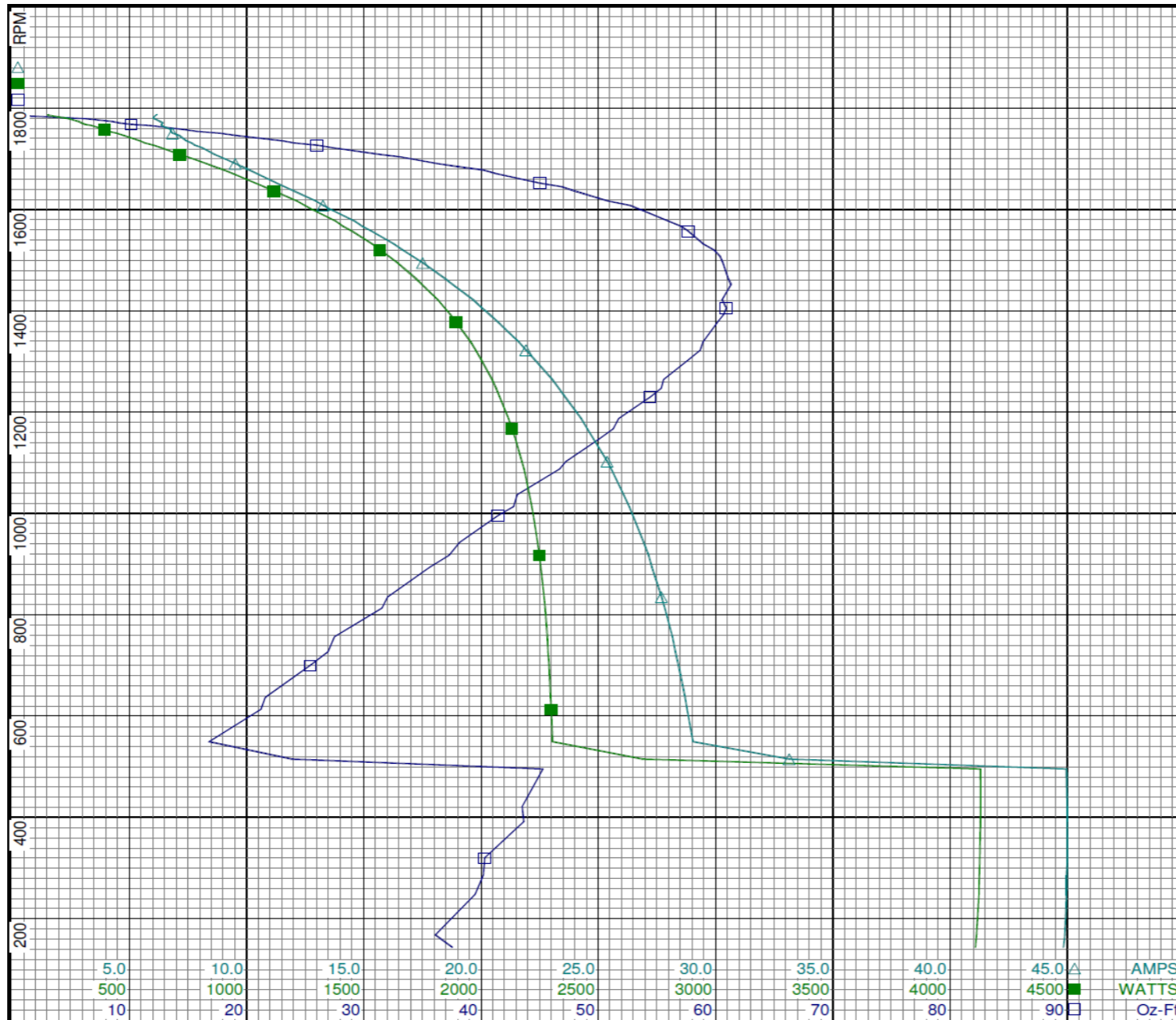
Performance Data



484H32A

REV.

-



Curve Descriptions:

Motor(1) Test 6 Run 120V 60 Hz 4P

- SPEED vs TORQUE
- SPEED vs WATTS
- △ SPEED vs ILine

Motor Ratings:

(1) S055PND856601 484H32

DRAWING NO.	PAGE 4 of 8	REV.
484H32A		-

Dayton Electric Mfg. Co. Lake Forest, IL 60045 USA

Performance Data



484H32A

REV.
-

Dayton Manufacturing Company

Motor Description

Model: S055PND856601 484H32
 Motor ID: 1 of 1
 Poles: 4
 Volts: 120/240
 Frequency: 50/60
 HP: 1/2
 Speed: 1725
 Phase: 1
 Protector: MEJ30AR

Test Conditions

Test Type: Start
 Test Number: 15
 Poles: 4
 Volts: 240
 Hz: 60
 Rotation:
 Special Cond:
 Speed Conn:
 TestBoard: CMD InLine Three Phase #4 Fixture #1
 Run Cap: 0
 Start Cap: 0µfd
 Environment: 24.0 Deg C 52 % RH 971 hPa
 Tested: 11/9/2017 2:31:52 PM
 Tested By: Chavarria, Maria
 Gear Ratio: 1:1
 Bearing Friction: -0.72 Oz-Ft
 Windage Torque: -1.97 Oz-Ft

Special Points	Vline (V)	Vaux (V)	Iline (A)	Watts	RPM	Tq (Oz-ft)	HP	Eff (%)	PF (%)
	240.0	4.3	21.52	3834	0	34.09	0.000	0.0	74.2
PUT OZ-FT	240.0	4.3	21.44	3818	134	31.90	0.051	1.0	74.2
	240.0	4.3	21.44	3818	134	31.90	0.051	1.0	74.2
	240.0	4.3	21.28	3804	308	34.33	0.126	2.5	74.5
	240.0	4.3	21.04	3781	464	39.92	0.221	4.4	74.9
	240.0	4.3	20.83	3761	565	42.76	0.288	5.7	75.2
	240.0	4.3	20.50	3727	699	45.95	0.382	7.6	75.7
	240.0	4.3	20.11	3681	824	49.28	0.483	9.8	76.3
	240.0	4.3	19.65	3625	940	52.08	0.583	12.0	76.9
	240.0	4.3	19.15	3559	1044	54.69	0.680	14.2	77.4
	240.0	4.3	18.79	3508	1112	55.30	0.732	15.6	77.8
	240.0	4.2	13.19	2301	1196	45.04	0.641	20.8	72.7
	240.0	4.2	11.03	1988	1283	53.56	0.818	30.7	75.1
	240.0	4.2	10.31	1890	1353	56.12	0.904	35.7	76.4
	240.0	4.2	9.49	1765	1421	57.28	0.969	40.9	77.5
	240.0	4.2	8.65	1627	1480	56.92	1.003	46.0	78.4
	240.0	4.2	7.82	1480	1531	55.19	1.006	50.7	78.9
	240.0	4.2	7.02	1328	1575	52.15	0.978	54.9	78.7
	240.0	4.3	6.24	1169	1615	47.56	0.914	58.3	78.1
	240.0	4.2	5.72	1058	1639	43.82	0.855	60.3	77.1
	240.0	4.2	5.03	901	1671	37.98	0.755	62.5	74.7
	240.0	4.2	4.29	713	1703	30.05	0.609	63.8	69.3
	240.0	4.2	3.85	596	1725	24.22	0.497	62.3	64.5
	240.0	4.2	3.49	471	1742	18.30	0.380	60.1	56.2
	240.0	4.2	3.25	380	1759	12.80	0.268	52.6	48.6
	240.0	4.3	3.09	303	1770	8.84	0.186	45.9	40.8
	240.0	4.3	3.00	227	1779	4.97	0.105	34.6	31.6
	240.0	4.1	3.02	193	1787	2.09	0.044	17.1	26.7
	240.0	4.1	3.03	158	1790	0.00	0.000	0.0	21.8

DRAWING NO. PAGE 5 of 8 REV.
 484H32A -

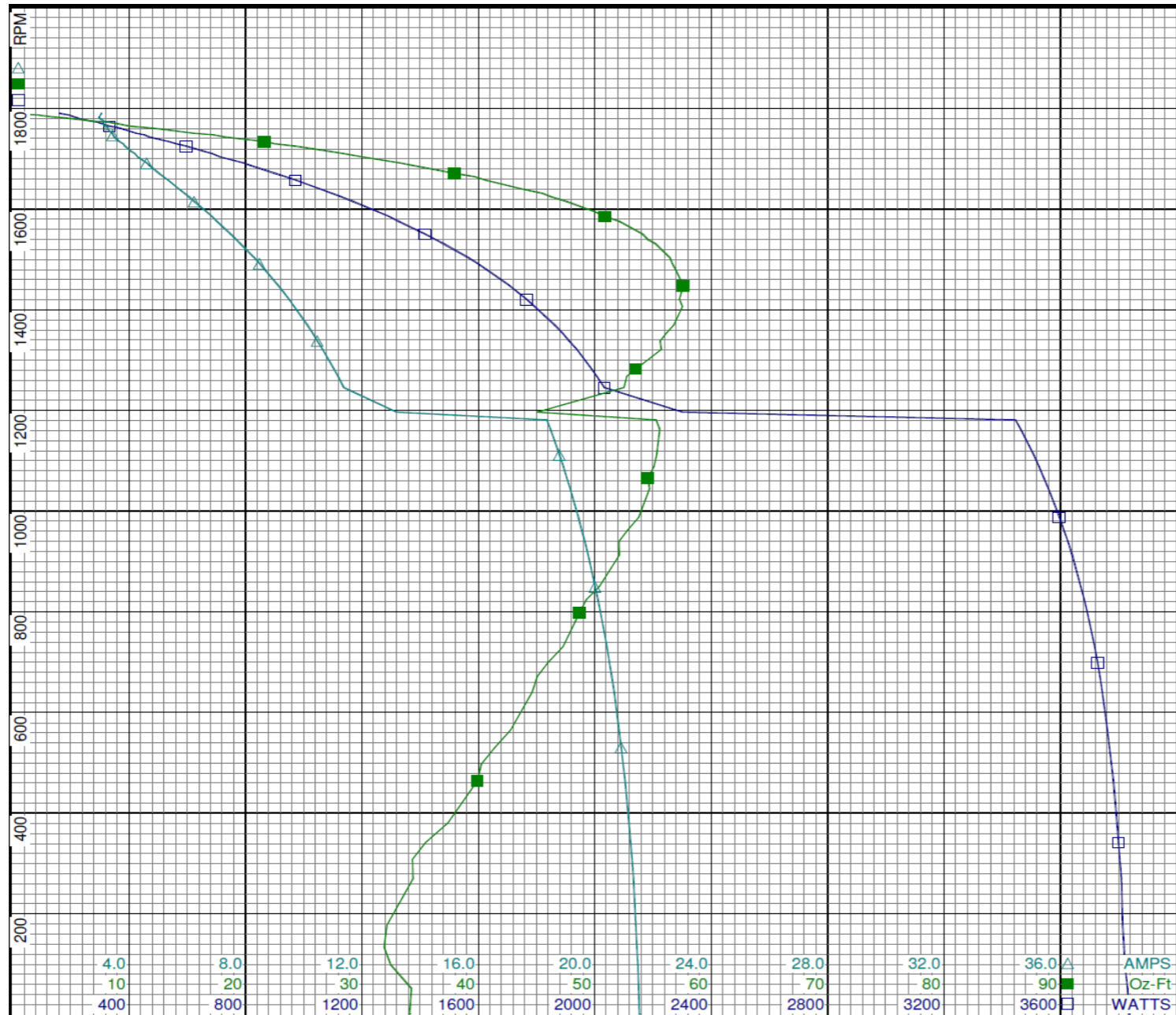
Performance Data



484H32A

REV.

-



Curve Descriptions:

Motor(1) Test 15 Start 240V 60 Hz 4P

- SPEED vs WATTS
- SPEED vs TORQUE
- △ SPEED vs ILine

Motor Ratings:

(1) S055PND856601 484H32

DRAWING NO.	PAGE 6 of 8	REV.
484H32A		-

Dayton Electric Mfg. Co. Lake Forest, IL 60045 USA

Performance Data



484H32A

REV.

-

Dayton Manufacturing Company

Motor Description

Model: S055PND856601 484H32
 Motor ID: 1 of 1
 Poles: 4
 Volts: 120/240
 Frequency: 50/60
 HP: 1/2
 Speed: 1725
 Phase: 1
 Protector: MEJ30AR

Test Conditions

Test Type: Run
 Test Number: 14
 Poles: 4
 Volts: 240
 Hz: 60
 Rotation:
 Special Cond:
 Speed Conn:
 TestBoard: CMD InLine Three Phase #4 Fixture #1
 Run Cap: 0
 Start Cap: 0µfd
 Environment: 24.1 Deg C 51 % RH 971 hPa
 Tested: 11/9/2017 1:11:55 PM
 Tested By: Chavarria, Maria
 Gear Ratio: 1:1
 Bearing Friction: -0.77 Oz-Ft
 Windage Torque: -2.35 Oz-Ft

Special Points	Vline (V)	Vaux (V)	Iline (A)	Watts	RPM	Tq (Oz-ft)	HP	Eff (%)	PF (%)
	240.0	4.1	2.99	152	1788	0.00	0.000	0.0	21.2
	240.0	4.1	3.10	202	1784	3.00	0.064	23.5	27.2
	240.0	4.2	3.03	241	1776	5.57	0.118	36.5	33.2
	240.0	4.2	3.11	290	1772	8.45	0.178	45.8	38.9
	240.0	4.0	3.21	350	1762	11.98	0.251	53.6	45.3
	240.0	4.1	3.37	402	1756	14.48	0.303	56.2	49.7
	240.0	4.1	3.59	490	1744	19.64	0.408	62.0	56.9
	240.0	4.2	3.89	585	1729	24.11	0.496	63.3	62.6
0.5 HP	240.0	4.2	3.90	588	1728	24.30	0.500	63.4	62.9
24.34 OZ-FT	240.0	4.2	3.90	589	1728	24.34	0.501	63.4	62.9
	240.0	4.1	4.09	645	1719	27.31	0.559	64.6	65.8
	240.0	4.1	4.53	771	1700	33.09	0.670	64.9	70.8
	240.0	4.2	4.79	838	1687	36.37	0.731	65.0	72.9
	240.0	4.1	5.35	970	1665	41.88	0.830	63.8	75.6
	240.0	4.1	5.71	1050	1649	45.00	0.884	62.8	76.7
	240.0	4.2	6.26	1168	1625	49.25	0.953	60.9	77.8
	240.0	4.1	6.93	1306	1593	53.38	1.012	57.8	78.5
	240.0	4.1	7.55	1426	1563	56.36	1.049	54.9	78.7
	240.0	4.1	8.15	1537	1531	58.12	1.059	51.4	78.5
	240.0	4.1	8.50	1597	1509	59.32	1.066	49.8	78.3
BDT OZ-FT	240.0	4.1	9.15	1708	1469	60.45	1.057	46.2	77.7
	240.0	4.1	9.15	1708	1469	60.45	1.057	46.2	77.7
	240.0	4.1	9.82	1813	1423	59.95	1.015	41.8	76.9
	240.0	4.1	10.19	1867	1393	59.91	0.994	39.7	76.4
	240.0	4.1	10.81	1956	1340	58.30	0.930	35.5	75.4
	240.0	4.1	11.31	2020	1291	56.05	0.861	31.8	74.4
	240.0	4.1	11.62	2058	1255	54.94	0.821	29.8	73.8
	240.0	4.1	12.12	2116	1192	51.82	0.736	25.9	72.7
	240.0	4.1	12.40	2145	1153	49.41	0.678	23.6	72.1
	240.0	4.1	12.81	2186	1085	46.07	0.595	20.3	71.1
	240.0	4.1	13.21	2221	1013	41.91	0.505	17.0	70.1
	240.0	4.1	13.54	2247	939	36.75	0.411	13.6	69.2
	240.0	4.1	13.73	2261	887	34.85	0.368	12.1	68.6
	240.0	4.1	14.01	2280	804	30.46	0.292	9.5	67.8
	240.0	4.1	14.24	2292	718	24.98	0.213	6.9	67.1
	240.0	4.1	14.35	2298	666	22.82	0.181	5.9	66.7
	240.0	4.1	21.27	3834	579	45.81	0.316	6.1	75.1
	240.0	4.1	21.05	3803	508	43.20	0.261	5.1	75.3
	240.0	4.1	21.12	3806	399	40.57	0.193	3.8	75.1
	240.0	4.1	21.14	3806	295	38.00	0.133	2.6	75.0
	240.0	4.1	21.11	3795	174	34.67	0.072	1.4	74.9

DRAWING NO. PAGE 7 of 8 REV.
 484H32A -

Dayton Electric Mfg. Co. Lake Forest, IL 60045 USA

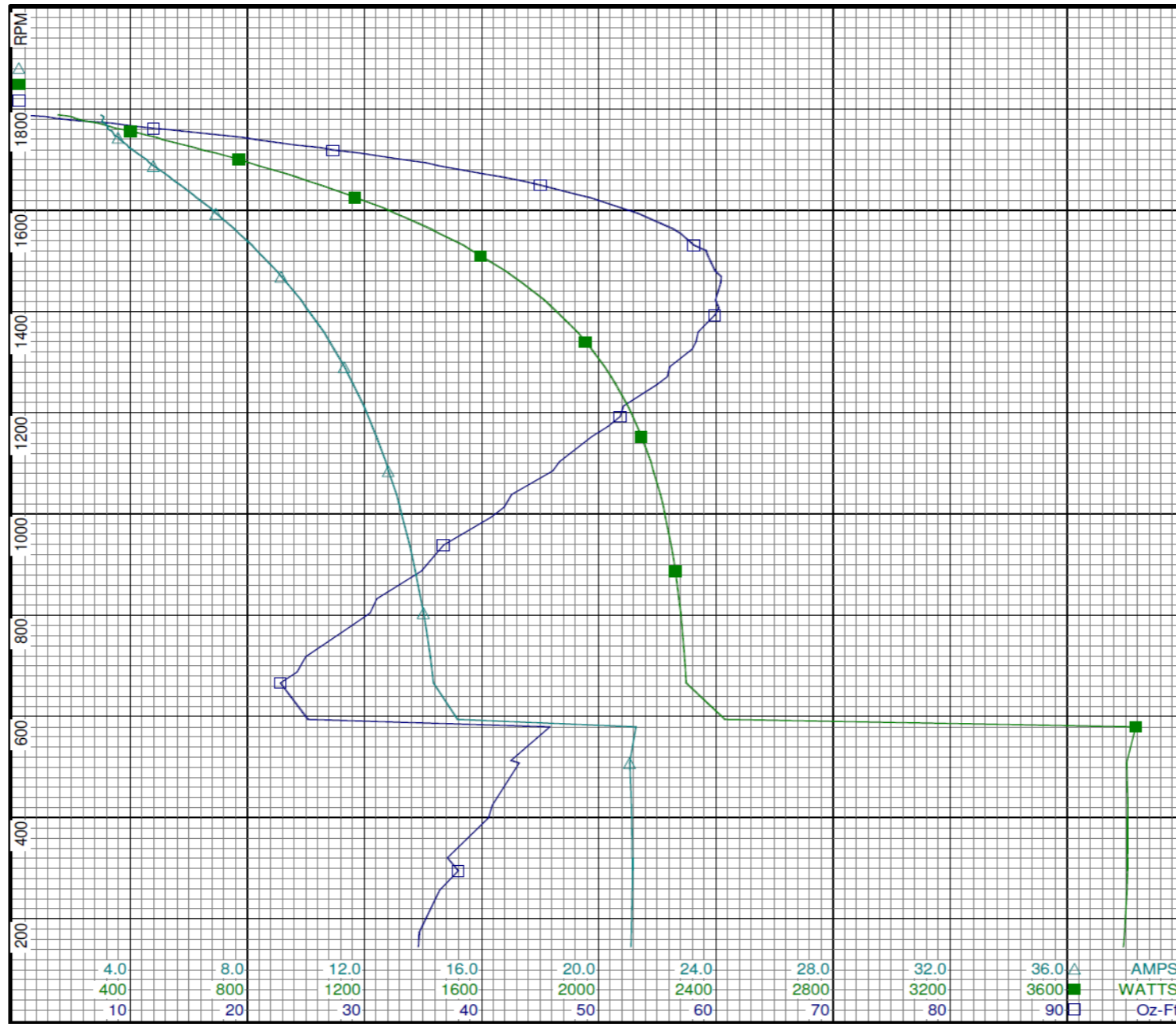
Performance Data



484H32A

REV.

-



Curve Descriptions:
 Motor(1) Test 14 Run 240V 60 Hz 4P

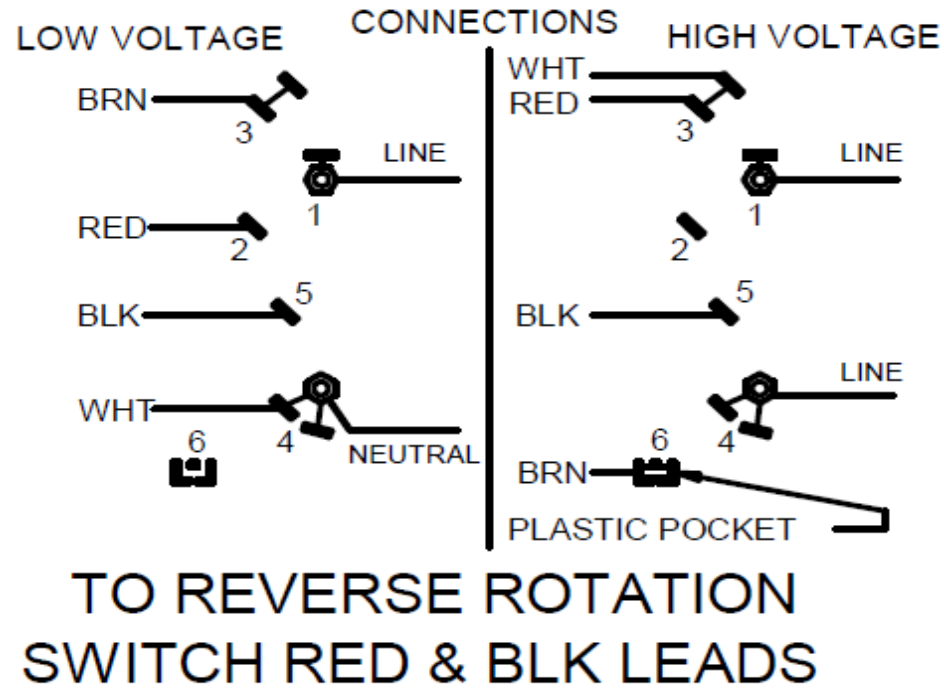
- SPEED vs TORQUE
- SPEED vs WATTS
- △ SPEED vs ILine

Motor Ratings:
 (1) S055PND856601 484H32

DRAWING NO.	PAGE 8 of 8	REV.
484H32A		-

Dayton Electric Mfg. Co. Lake Forest, IL 60045 USA

484H32A	REV. -
---------	-----------



DRAWING NO.	PAGE 1 of 1	REV.
484H32A		-

Dayton[®]**CARBONATOR PUMP
MOTOR**Part No **484H32A**

HP: 1/2

VOLTS: 100-120/200-240

AMPS: 7.7-7.6/3.9-3.9

RPM: 1725&1425

DUTY: CONT

SF: 1.0

KVA CODE: M

ENCL: ODP

THERMALLY PROTECTED: AUTO

MFG. NO. PROT. CODE: 04680AVG. F.L.
EFF.

MTR REF: S55JXPND-8566

FOR 50 HZ FLA 8.2-10.1/4.2-5.0

UL[®]
C US
E37403

PH: 1

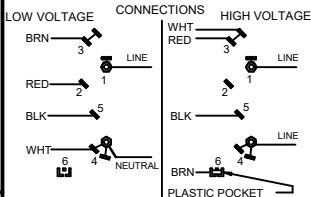
HZ: 60&50

FR: 48YZ

INS CL: F

AMB: 40 °C

SFA: 7.7-7.6/3.9-3.9

**Disconnect Power Before Making
Any Electrical Connections or Changes****TO REVERSE ROTATION
SWITCH RED & BLK LEADS**

Mfd for Dayton Electric Mfg. Co., Lake Forest, IL 60045 USA

Made in Mexico