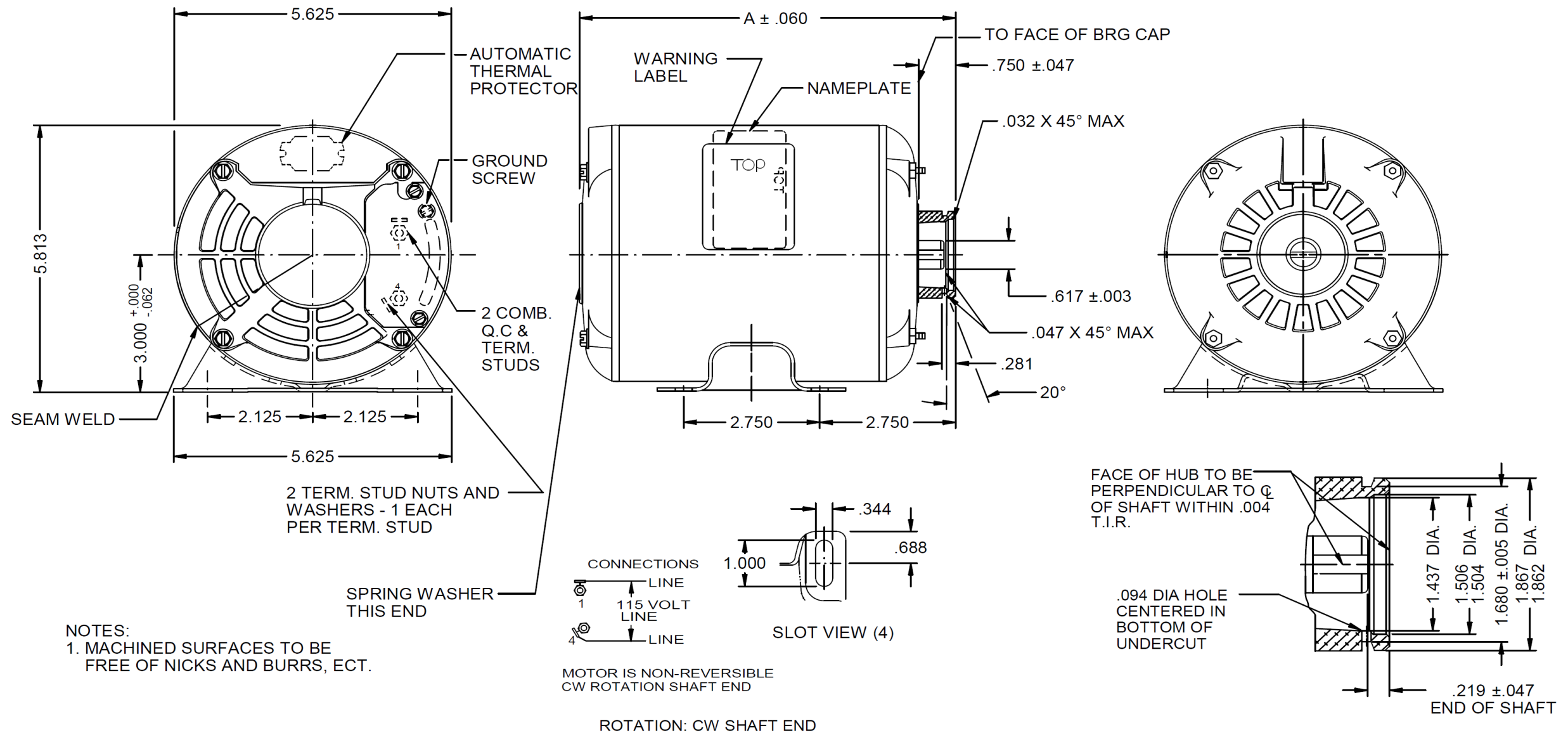


# Dimensional Drawing



<b>484H29A</b>		REV.													
		-													

VAR	MODEL	CUST. PT. NO.	A	B	C	D	HP	VOLTS	SF	AMPS	HZ	RPM	CONN VOLTS	PROT.	DESCRIPTION / REMARKS
001	S55JXPNF-8568	484H29A	7.750	-----	-----	-----	1/3	115	1.00	6.0	60	1725	---	AUTO	48YZ, OPEN, BALL BEARING



DRAWING NO.	PAGE 1 of 1	REV.
484H29A		-

Dayton Electric Mfg. Co. Lake Forest, IL 60045 USA

# Performance Data



**484H29A**

REV.

-

## SPLIT-PHASE & CAPACITOR START MOTOR PERFORMANCE

<b>HP:</b>	1/3							
<b>Poles:</b>	4							
<b>Ambient (°C)</b>	40							
<b>Altitude (FASL):</b>								
<b>No. of Speeds:</b>								
<b>Volts:</b>	115	<b>115</b>						
<b>HZ:</b>	60	<b>60</b>						
<b>Service Factor:</b>	1							
<b>Efficiency:</b>	@ Rated Load	57						
<b>Power Factor:</b>	@ Rated Load	63.8						
<b>Amps:</b>	@ No Load	5.33						
	@ Rated Load	5.88						
	@ Service Factor	-						
	@ Locked Rotor	46.84						
<b>RPM:</b>	@ Rated Load	1729						
<b>Torques:</b> Oz.Ft. / Lb.In. (Circle One)	Breakdown	39.17						
	Locked Rotor	29.68						
	Pull-Up	27.12						
	Rated Load	16.04						
	Service Factor	-						
<b>Watts:</b>	@ Rated Load	432						
<b>KVA Code:</b>								
<b>Temperature Rise:</b>	@ Rated Load	66.5						
	@ Service Factor	-						
<b>Thermal Protector:</b>	Trip Temp (°C)	144.8						
<b>Winding Material:</b>	Start (Auxiliary)						AI	
	Run (Main)						AI	
<b>Capacitor(s):</b>	Start Micro-Farads Rating							
	Start Voltage Rating							
	No. of Start Capacitors						N/A	
	Run Micro-Farads Rating							
	Run Voltage Rating							
	No. of Run Capacitors							N/A

### LOW SPEED PERFORMANCE DATA:

<b>HP:</b>								
<b>Poles:</b>								
<b>Volts:</b>		<b>120</b>	<b>208</b>	<b>230</b>	<b>277</b>	<b>460</b>	<b>100</b>	<b>200</b>
<b>HZ:</b>		<b>60</b>	<b>60</b>	<b>60</b>	<b>60</b>	<b>60</b>	<b>50</b>	<b>50</b>
<b>Efficiency:</b>	@ Rated Load							
<b>Power Factor:</b>	@ Rated Load							
<b>Amps:</b>	@ No Load							
	@ Rated Load							
	@ Service Factor							
	@ Locked Rotor							
<b>Torques:</b> Oz.Ft. / Lb.In. (Circle One)	Breakdown							
	Locked Rotor							
	Pull-Up							
	Rated Load							
	Service Factor							
<b>Watts:</b>	@ Rated Load							
<b>Temperature Rise:</b>	@ Rated Load							
	@ Service Factor							

DRAWING NO. PAGE 1 of 1

**484H29A**

REV.

-

**Dayton Electric Mfg. Co. Lake Forest, IL 60045 USA**

# Performance Data



<b>484H29A</b>	REV. -
----------------	-----------

## Dayton Manufacturing Company

### Motor Description

Model: S055PNF856801 484H29  
 Motor ID: 1  
 Poles: 4  
 Volts: 115v  
 Frequency: 60  
 HP: 1/3  
 Speed: 1725  
 Phase: 1  
 Protector: MEJ16RX

### Test Conditions

Test Type: Start  
 Test Number: 5  
 Poles: 4  
 Volts: 115  
 Hz: 60  
 Rotation:  
 Special Cond:  
 Speed Conn:  
 TestBoard: Amtps Performance Fixture #4  
 Run Cap: 0  
 Start Cap: 0µfd  
 Environment: 20.2 Deg C 57 % RH 990 hPa  
 Tested: 5/20/2013 10:12:24 AM  
 Tested By: Sharp, Gerald  
 Gear Ratio: 1:1  
 Bearing Friction: -0.75 Oz-Ft  
 Windage Torque: -2.02 Oz-Ft

Special Points	Vline (V)	Iline (A)	Watts	RPM	Tq (Oz-ft)	HP	Eff (%)	PF (%)
	115.0	46.84	4710	29	29.68	0.010	0.2	87.4
	115.0	46.58	4682	32	29.63	0.011	0.2	87.4
	115.0	46.37	4665	149	27.64	0.049	0.8	87.5
<b>PUT OZ-FT</b>	<b>115.0</b>	<b>46.35</b>	<b>4664</b>	<b>177</b>	<b>27.12</b>	<b>0.057</b>	<b>0.9</b>	<b>87.5</b>
	115.0	46.01	4633	308	31.41	0.115	1.9	87.6
	115.0	45.55	4594	459	35.21	0.192	3.1	87.7
	115.0	45.08	4552	596	37.53	0.266	4.4	87.8
	115.0	44.60	4512	712	39.14	0.332	5.5	88.0
	115.0	43.96	4457	820	42.17	0.412	6.9	88.2
	115.0	43.26	4397	920	44.70	0.489	8.3	88.4
	115.0	42.53	4324	1010	46.91	0.564	9.7	88.4
	115.0	41.78	4261	1091	48.53	0.630	11.0	88.7
	115.0	41.01	4191	1165	49.52	0.687	12.2	88.9
	115.0	40.06	4088	1231	49.60	0.727	13.3	88.8
	115.0	15.81	1434	1245	31.63	0.469	24.4	78.9
	115.0	16.22	1498	1311	34.03	0.531	26.5	80.3
	115.0	15.28	1430	1384	36.04	0.594	31.0	81.4
	115.0	14.21	1343	1447	37.54	0.647	35.9	82.2
	115.0	13.19	1253	1497	37.80	0.674	40.1	82.6
	115.0	12.20	1161	1541	37.32	0.684	44.0	82.8
	115.0	11.23	1063	1577	36.27	0.681	47.8	82.3
	115.0	10.35	974	1609	34.66	0.664	50.9	81.8
	115.0	9.50	881	1637	32.37	0.631	53.4	80.7
	115.0	8.67	788	1662	29.74	0.588	55.7	79.0
	115.0	7.92	698	1685	26.67	0.535	57.2	76.6
	115.0	7.22	615	1707	23.58	0.479	58.1	74.1
	115.0	6.48	517	1725	19.30	0.396	57.2	69.4
	115.0	6.04	435	1746	15.41	0.320	54.9	62.7
	115.0	5.55	341	1760	10.54	0.221	48.3	53.4
	115.0	5.17	254	1778	5.83	0.123	36.3	42.6
	115.0	5.07	172	1795	0.79	0.017	7.3	29.5
	115.0	5.07	160	1801	0.04	0.001	0.4	27.4

DRAWING NO.	PAGE 1 of 4	REV.
<b>484H29A</b>		-

**Dayton Electric Mfg. Co. Lake Forest, IL 60045 USA**

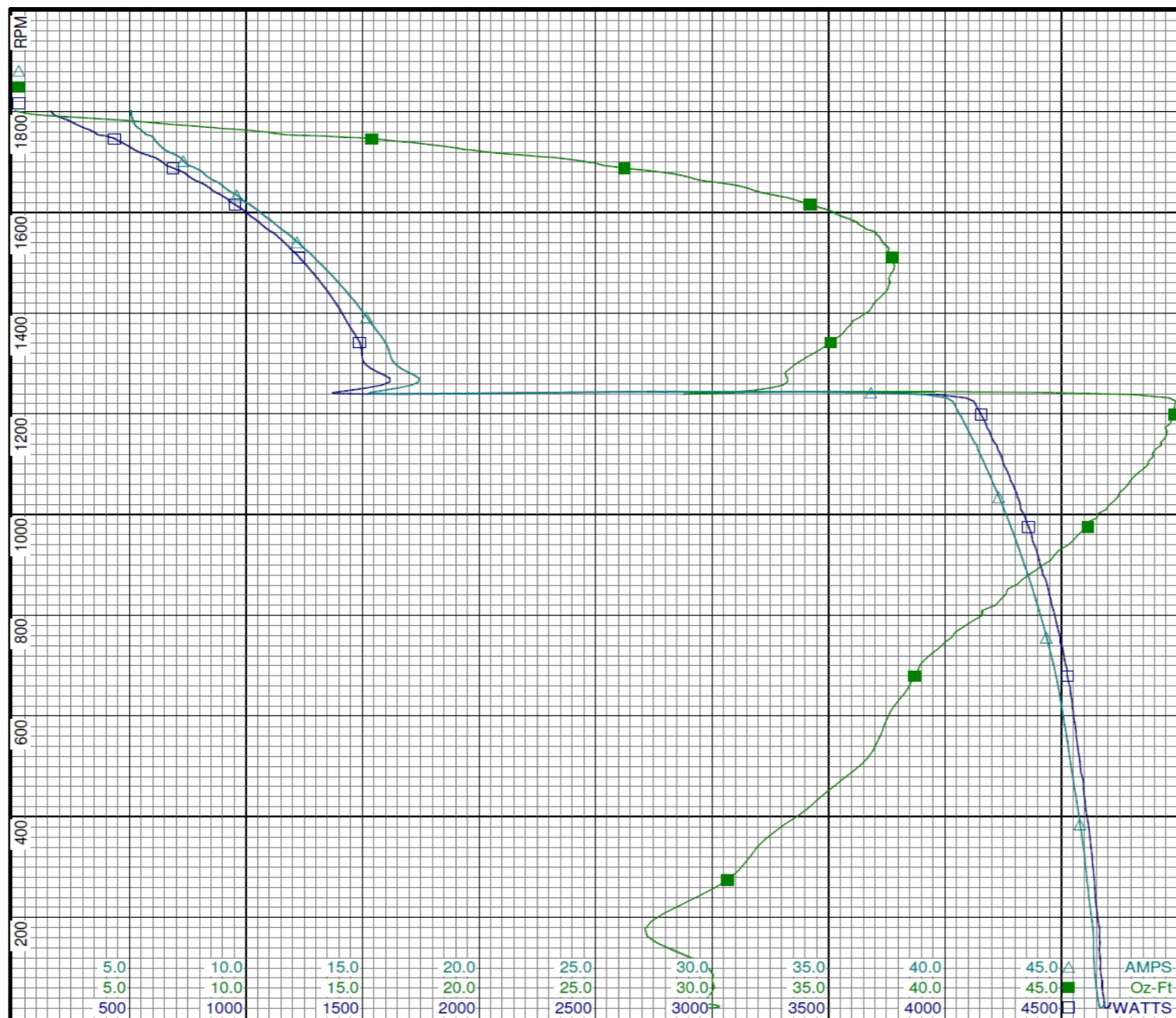
# Performance Data



484H29A

REV.

-



**Curve Descriptions:**  
 Motor(1) Test 5 Start 115V 60 Hz 4P

- SPEED vs WATTS
- SPEED vs TORQUE
- △ SPEED vs ILine

**Motor Ratings:**  
 (1) S055PNF856801 484H29

DRAWING NO.	PAGE 2 of 4	REV.
484H29A		-

Dayton Electric Mfg. Co. Lake Forest, IL 60045 USA

# Performance Data



**484H29A**

REV.

-

## Dayton Manufacturing Company

### Motor Description

Model: S055PNF856801 484H29  
 Motor ID: 1  
 Poles: 4  
 Volts: 115v  
 Frequency: 60  
 HP: 1/3  
 Speed: 1725  
 Phase: 1  
 Protector: MEJ16RX

### Test Conditions

Test Type: Run  
 Test Number: 4  
 Poles: 4  
 Volts: 115  
 Hz: 60  
 Rotation:  
 Special Cond:  
 Speed Conn:  
 TestBoard: Amtps Performance Fixture #4  
 Run Cap: 0  
 Start Cap: 0µfd  
 Environment: 20.2 Deg C 57 % RH 990 hPa  
 Tested: 5/20/2013 10:11:30 AM  
 Tested By: Sharp, Gerald  
 Gear Ratio: 1:1  
 Bearing Friction: -0.60 Oz-Ft  
 Windage Torque: -2.12 Oz-Ft

Special Points	Vline (V)	Iline (A)	Watts	RPM	Tq (Oz-ft)	HP	Eff (%)	PF (%)
	115.0	5.06	151	1789	0.00	0.000	0.0	25.9
	115.0	5.10	185	1772	2.05	0.043	17.4	31.6
	115.0	5.45	310	1766	9.31	0.196	47.0	49.4
	115.0	5.66	357	1748	11.83	0.246	51.4	54.9
<b>0.33 HP</b>	<b>115.0</b>	<b>5.88</b>	<b>432</b>	<b>1729</b>	<b>16.04</b>	<b>0.330</b>	<b>57.0</b>	<b>63.8</b>
<b>16.2 OZ-FT</b>	<b>115.0</b>	<b>5.90</b>	<b>435</b>	<b>1729</b>	<b>16.20</b>	<b>0.333</b>	<b>57.2</b>	<b>64.1</b>
	115.0	6.01	456	1727	17.32	0.356	58.3	66.0
<b>1725 RPM</b>	<b>115.0</b>	<b>6.32</b>	<b>505</b>	<b>1725</b>	<b>19.66</b>	<b>0.404</b>	<b>59.6</b>	<b>69.5</b>
	115.0	6.82	565	1713	22.08	0.450	59.4	72.1
	115.0	7.54	662	1687	26.10	0.524	59.1	76.4
	115.0	8.61	789	1662	30.63	0.606	57.3	79.7
	115.0	9.64	907	1632	34.25	0.666	54.7	81.8
	115.0	10.77	1024	1596	36.77	0.699	50.9	82.7
	115.0	11.93	1140	1557	38.32	0.710	46.5	83.1
	115.0	13.02	1242	1514	39.09	0.704	42.3	82.9
<b>BDT OZ-FT</b>	<b>115.0</b>	<b>13.41</b>	<b>1276</b>	<b>1497</b>	<b>39.17</b>	<b>0.698</b>	<b>40.8</b>	<b>82.7</b>
	115.0	14.07	1333	1467	38.96	0.680	38.1	82.4
	115.0	15.03	1412	1416	38.17	0.644	34.0	81.7
	115.0	15.89	1480	1364	36.87	0.599	30.2	81.0
	115.0	16.65	1538	1311	35.02	0.547	26.5	80.3
	115.0	17.35	1586	1254	32.94	0.492	23.1	79.5
	115.0	17.97	1627	1195	30.82	0.439	20.1	78.7
	115.0	18.51	1660	1135	28.51	0.385	17.3	78.0
	115.0	19.00	1690	1073	26.10	0.333	14.7	77.4
	115.0	19.44	1715	1007	23.66	0.284	12.3	76.7
	115.0	19.84	1737	937	21.05	0.235	10.1	76.2
	115.0	20.19	1754	866	18.52	0.191	8.1	75.5
	115.0	20.51	1770	788	15.90	0.149	6.3	75.0
	115.0	20.78	1782	709	13.29	0.112	4.7	74.6
	115.0	21.03	1793	624	10.57	0.079	3.3	74.1
	115.0	35.99	3354	548	25.50	0.166	3.7	81.0
	115.0	47.00	4743	521	36.62	0.227	3.6	87.8
	115.0	47.41	4769	418	34.93	0.174	2.7	87.5
	115.0	47.24	4749	300	31.30	0.112	1.8	87.4
	115.0	47.14	4737	173	28.61	0.059	0.9	87.4

DRAWING NO.	PAGE 3 of 4	REV.
	484H29A	-

Dayton Electric Mfg. Co. Lake Forest, IL 60045 USA



# Performance Data



484H29A

REV.

-



Curve Descriptions:

Motor(1) Test 4 Run 115V 60 Hz 4P

- SPEED vs WATTS
- SPEED vs TORQUE
- △ SPEED vs ILine

Motor Ratings:

(1) S055PNF856801 484H29

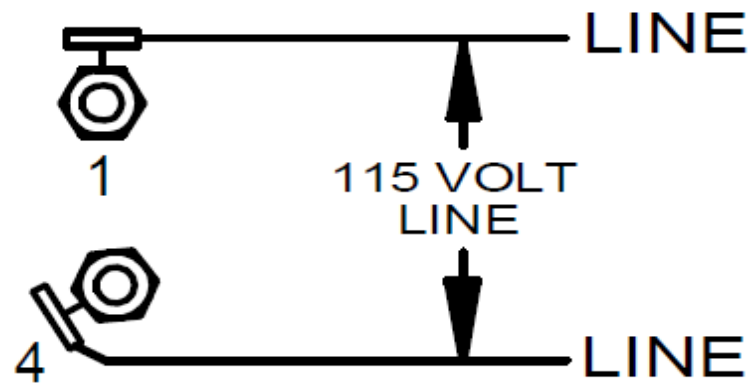
DRAWING NO.	PAGE 4 of 4	REV.
484H29A		-

Dayton Electric Mfg. Co. Lake Forest, IL 60045 USA

484H29A

REV.  
-

## CONNECTIONS



MOTOR IS NON-REVERSIBLE  
CW ROTATION SHAFT END

DRAWING NO.	PAGE 1 of 1	REV.
484H29A		-

**Dayton**<sup>®</sup>**CARBONATOR PUMP  
MOTOR**

HP: 1/3

VOLTS: 115

AMPS: 6.0

RPM: 1725

DUTY: CONT

SF: 1.00

KVA CODE: R

ENCL: OPEN

THERMALLY PROTECTED: AUTO

MFG. NO. PROT. CODE: AVG. F.L.  
EFF.

MTR REF: S55JXPNF-8568

PH: 1

HZ: 60

FR: 48YZ

INS CL: B

AMB: 40 °C

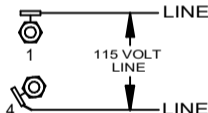
SFA: 7.0

Part  
No

484H29A

Disconnect Power Before Making Any  
Electrical Connections or Changes

## CONNECTIONS

**CEC**<sup>®</sup>  
US  
E37403MOTOR IS NON-REVERSIBLE  
CW ROTATION SHAFT END

Mfd for Dayton Electric Mfg. Co., Lake Forest, IL 60045 USA

Made in Mexico