

ELM2L

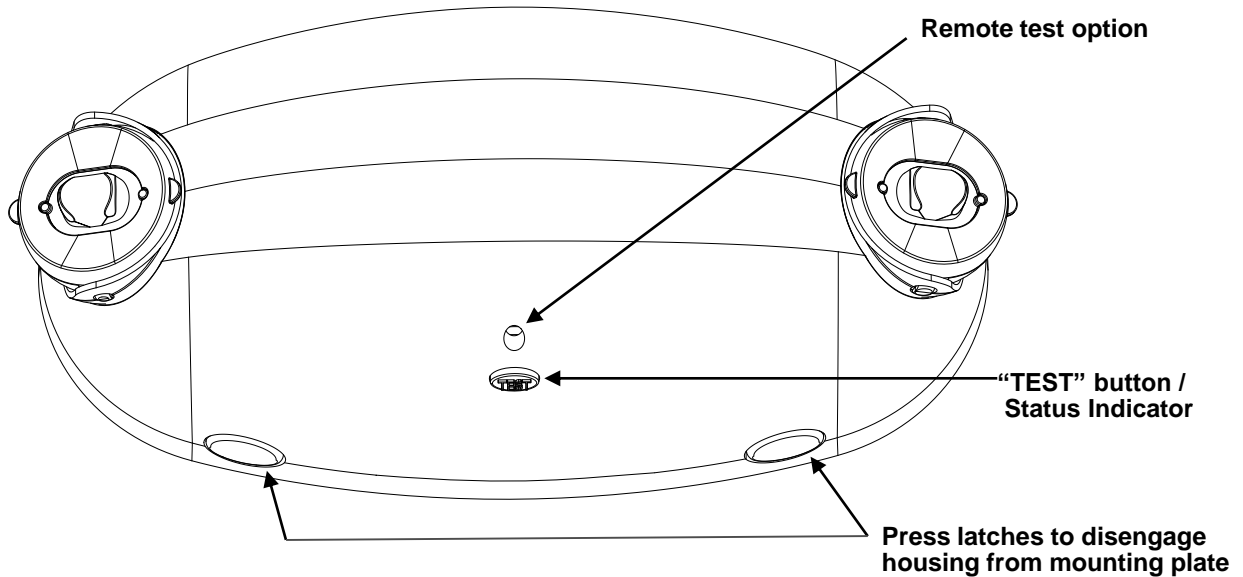
EMERGENCY LIGHTING UNIT



Installation and wiring P. 2-3

Testing and maintenance P. 4-5






NOTE: Product versions that are certified in the CA Title 20 Appliance Efficiency Database are marked **BC** on the product label.



IMPORTANT SAFEGUARDS

When using electrical equipment, basic safety precautions should always be followed, including the following:

READ AND FOLLOW ALL SAFETY INSTRUCTIONS

-  **WARNING:** FAILURE TO FOLLOW THESE INSTRUCTIONS AND WARNINGS MAY RESULT IN DEATH, SERIOUS INJURY OR SIGNIFICANT PROPERTY DAMAGE - For your protection, read and follow these warnings and instructions carefully before installing or maintaining this equipment. These instructions do not attempt to cover all installation and maintenance situations. If you do not understand these instructions or additional information is required, contact Lithonia Lighting or your local Lithonia Lighting distributor.
-  **WARNING:** RISK OF ELECTRIC SHOCK – NEVER CONNECT TO, DISCONNECT FROM OR SERVICE WHILE EQUIPMENT IS ENERGIZED.
-  **WARNING:** DO NOT USE ABRASIVE MATERIALS OR SOLVENTS. USE OF THESE SUBSTANCES MAY DAMAGE FIXTURE, WHICH MAY RESULT IN PERSONAL INJURY.
-  **WARNING:** RISK OF PERSONAL INJURY – This product may have sharp edges. Wear gloves to prevent cuts or abrasions when removing from carton, handling, installing and maintaining this product.
-  **WARNING:** The battery used in this device may present a risk of fire or chemical burn if mistreated. Do not disassemble, heat above 70° C (158° F), or incinerate. Replace battery only as directed on the battery label and page 5 of these instructions. Use of unauthorized battery voids warranty and UL listing of this product, and may present a risk of fire or explosion.

- Disconnect A.C. power before servicing.
- All servicing should be performed by qualified personnel.
- Consult your local building code for approved wiring and installation.
- Do not use outdoors unless used with Acuity Brands accessories appropriate to the application.
- Do not mount near gas or electric heater.
- Equipment should be mounted in locations and at heights where it will not readily be subjected to tampering by unauthorized personnel.
- The use of accessory equipment not recommended by the manufacturer may cause an unsafe condition.
- Do not use this equipment for other than intended use.

**SAVE THESE INSTRUCTIONS
AND DELIVER TO OWNER AFTER INSTALLATION**

IMPORTANT: Provide each unit with a single-phase AC un-switched power supply from a circuit used for normal lighting. "UVOLT" product versions operate from 120 volts through 347 volts. All other versions operate from 120 volts through 277 volts. **PRODUCT DAMAGE WILL OCCUR IF THE RATED INPUT VOLTAGE IS EXCEEDED.**

NOTE: The battery must be connected to the charger board prior to applying AC power to the unit. Battery damage may occur if the battery is connected longer than 24 hours without continuous AC power provided. See also "Important Battery Information", page 4.

NOTE: The maximum mounting height of ELM2L from ground is 11.7 feet, to meet the minimum illumination requirements of NFPA 101 (current Life Safety Code).

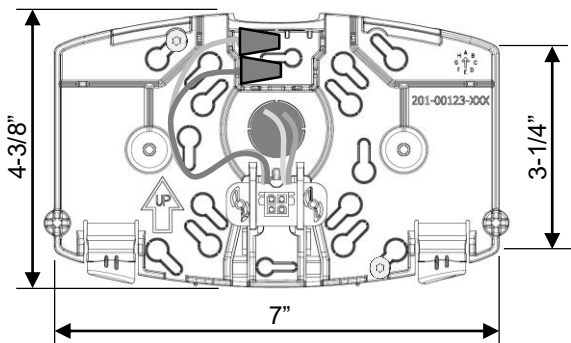
NOTE: Do not connect battery or power unit until remote units (if applicable) are fully connected and wires are isolated from other potentials (i.e. remote wires shall be isolated from earth ground).

JUNCTION BOX MOUNTING

-Some details shown below may vary-

- 1 On the mounting plate, remove the round center knockout and the desired pair of keyhole junction box knockouts.

Mounting Plate:



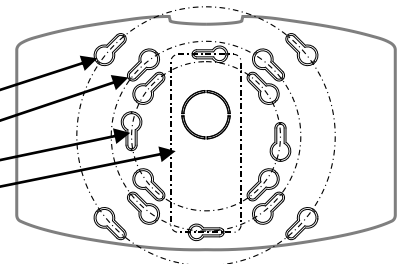
- 2 Route leads through the center opening and use code-approved connectors to make the connections. (See Wiring Diagram, page 3). Dress wires and connectors inside junction box. **Units with Remote Lamp Wires:** If no remote lamps are connected, remote lamp leads (+ and - low voltage DC) should be left capped and dressed in mounting plate as shown.

- 3 Taking care not to pinch wires or connectors dressed inside junction box, secure mounting plate to junction box screws.

NOTE: To ensure proper engagement of the mounting plate latches to the housing, **DO NOT OVER-TIGHTEN THE SCREWS.**

Junction boxes accommodated:

- 4" Square
- 4" Octagon
- 3-1/2" Round or Octagon
- Single Gang Box



CONDUIT SURFACE MOUNTING

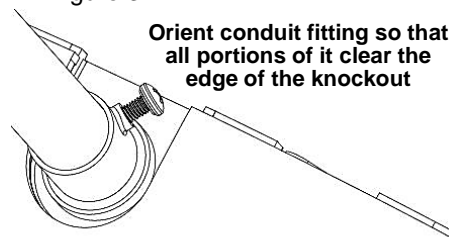
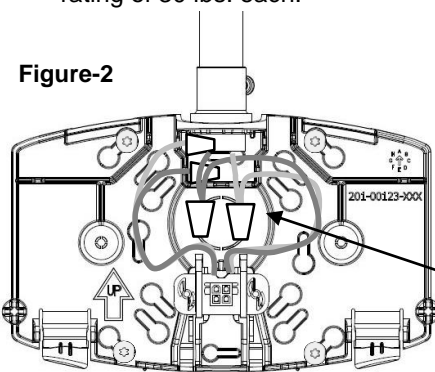
NOTE: to avoid interference with components in the housing, use the most compact wire connectors appropriate to the wire gauge.

- 1 At upper center of the mounting plate, remove the conduit connection knockout. Also remove at least three keyhole knockouts. Attach conduit and secure mounting plate to wall surface using fasteners with a minimum pullout rating of 30 lbs. each.

- 2 See Wiring Diagram, page 3. Make code-approved wire connections to the AC power supply, and remote lamps (if applicable). Dress wires into slots so that the connectors are secured as shown in Figure 2 or Figure 3.

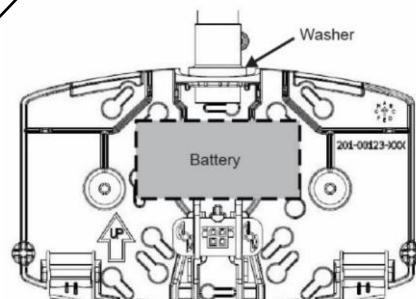
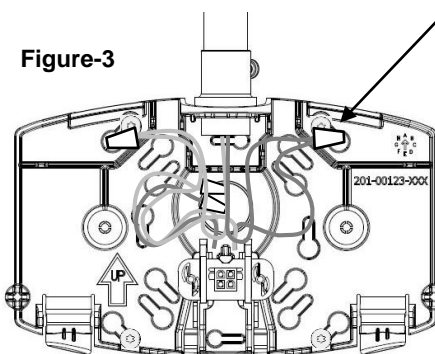
- 3 Remove U-shaped knockout from top center of housing. **Hint:** Use a pair of wire cutters first to start a cut in the thick portion at each side of the knockout, then finish breaking it out with pliers.

Figure-2

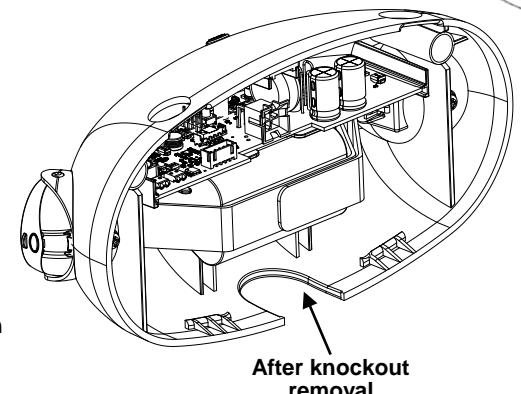
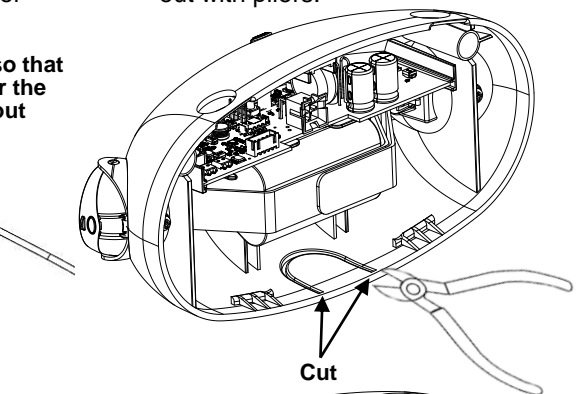


Secure wire connectors near the center or near the upper latches

Figure-3



Use washer (Grainger #4DAX6) between conduit fitting and rear housing if conduit fitting interferes with battery.

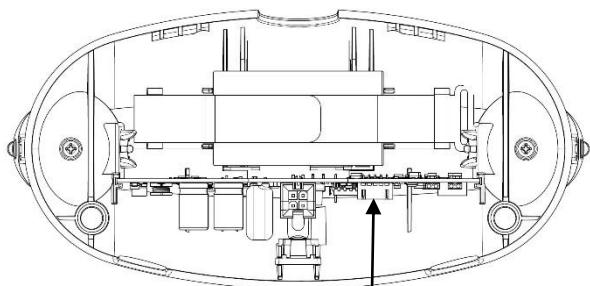


FINAL ASSEMBLY

4 Connect the polarized battery plug to the charger board. Make certain that the battery cable is routed to avoid interference with the AC input connector or other components.

Battery Connection

Note: some details may vary

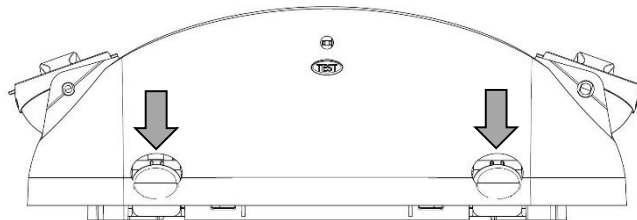


battery connector

5 **Housing attachment to mounting plate:** Make certain all wires and connectors are routed to avoid interference with other components. Align latch openings on underside of housing with latch buttons on mounting plate. Firmly push housing straight onto mounting plate, making certain all four latches are fully engaged, and the housing is closely aligned to the mounting surface.

Federal Communications Commission (FCC) Requirements:

This device complies with FCC Title 47, Part 15, Subpart B. This device may not cause harmful interference.

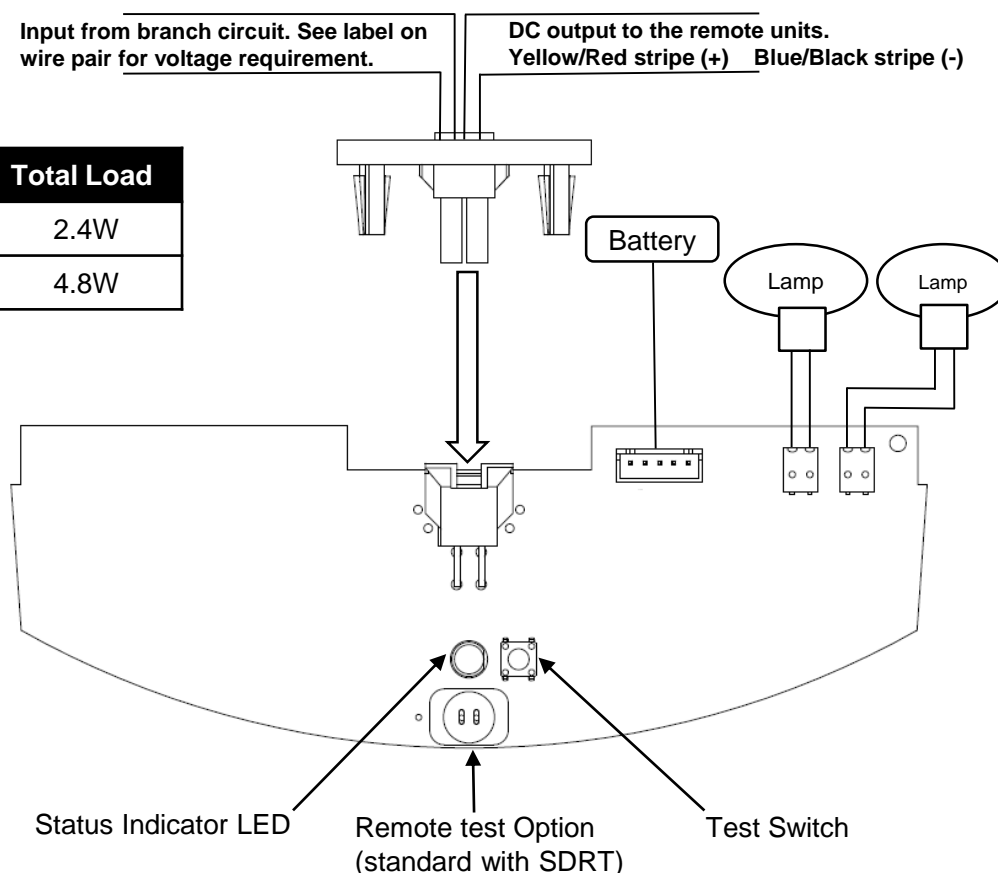


WIRING DIAGRAM

Input from branch circuit. See label on wire pair for voltage requirement.

DC output to the remote units.
Yellow/Red stripe (+) Blue/Black stripe (-)

Battery Type	Total Load
NiCd	2.4W
LiFePO4 (LTP)	4.8W



NOTE: Emergency lighting systems should be tested in accordance with NFPA 101 or as often as local codes require, to ascertain that all components are operational.

NOTE: Allow batteries to charge for 24 hours before initial testing.

Manual testing:

If the batteries are sufficiently charged, either press and release the “TEST” button or use the RTKIT (remote tester accessory, up to 40’ away for SDRT units only) on the bottom of the unit to activate a 60-second test, during which the lamps will turn on. Triggering either option a second time will enable a 90-minute tests indicated by 5 flashes of the lamps. Triggering either option a third time will disable manual testing.

Self-Diagnostics (SDRT feature)

Units with this option automatically perform a 5-minute self-diagnostic test of the charging electronics, battery, and lamps every 30 days, and a 90-minute test every year, indicating system status as shown in the table at right. First self test occurs after 15 days of continuous AC Power.

Postponing a self-test:

If an automatic self-test occurs at a time when it is not desirable for the unit lamps to be on, it can be postponed for 8 hours either by pressing and releasing the “TEST” button or by using RTKIT (remote tester accessory, up to 40’ away).

Cancelling emergency operation:

Press and hold the “TEST” button for several seconds or activate using the RTKIT (remote tester accessory, up to 40’ away), during which the status indicator will flash until the lamps turn off. This restores the AC Reset state in which the unit is shipped.

Load-Learning feature:

Self-Diagnostic units automatically ‘learn’ their total connected lamp load during the first scheduled self-test (~15 days). The load-learning function can also be initiated manually by pressing and holding the “TEST” button for 7 seconds (count flashes), during this period the lamps will turn on. After 7 seconds, release the button, the lamps will turn off within 2 seconds indicating load learn complete. If lamps stay on longer, load learn was not successful. This manual load-learning feature should be initiated whenever the total connected lamp load of the unit is changed, or a lamp is replaced.

NOTE: Manual load-learning functions cannot be initiated if there is inadequate charge in the batteries. If this is so, wait until the unit indicates full battery charge (solid green status indication) before initiating the manual load-learning function.

Clearing a failure indication:

After a failure condition has been corrected and power is restored to the unit, clear the failure indication either by pressing the “TEST” button once or by using the RTKIT (remote tester accessory, up to 40’ away).

IMPORTANT BATTERY INFORMATION:

Batteries are perishable items. For best results, it is recommended that the batteries receive an initial charge within the first six months of the manufacture date of the fixture. The manufacture date can be found on the outside of the unit packaging and on the product label as part of the Date Code / Series. The first two digits in the date code represent the year and the second two digits represent the month. In many cases, batteries beyond the initial charge recommendation time frame will recover if fully charged soon after installation. If such a battery does not recover after a full initial charge, it should be replaced.

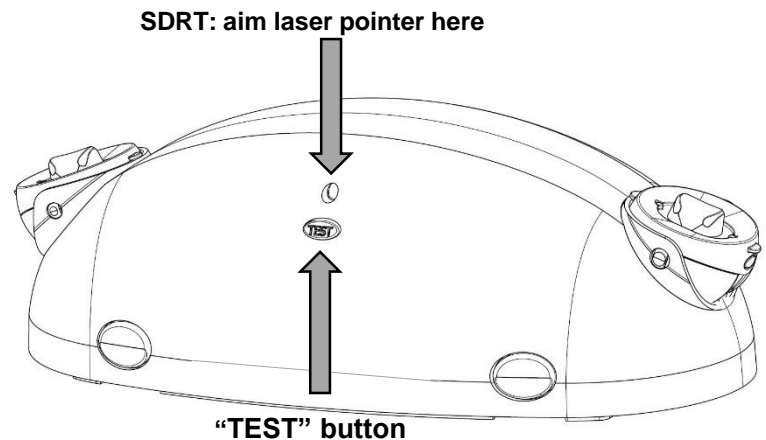
Unit Status Indications

The “TEST” button illuminates to indicate the following conditions:

Indication:	Status:
Off	Unit is off
Flashing green	Unit is in Emergency operation or Test
Solid amber	Battery is charging
Solid green	Battery is fully charged
Flashing R / G	Manual test, battery not fully charged (SDRT only)
1x red flashing	Battery failure (SDRT only)
2x red flashing	Lamp failure (SDRT only)
3x red flashing	Charger / electronics failure (SDRT only)
Flashing R/Amber	Unable to charge
Solid Red	Battery is disconnected

Remote Test (SDRT): (RTKIT sold separately)

Units with the self-diagnostics/remote test feature allows manual test activation using a laser pointer. Aim the laser beam straight onto the circular area labeled near the “TEST” button for a few moments to activate a 60-second test. (See also “Manual testing”) A test in progress may be cancelled by aiming the beam at the test area again. **NOTE:** The remote tester should not be used to initiate the Load Learning feature.



BATTERY REPLACEMENT

Unit features and battery details shown may vary. See also "Battery Connection", page 3.

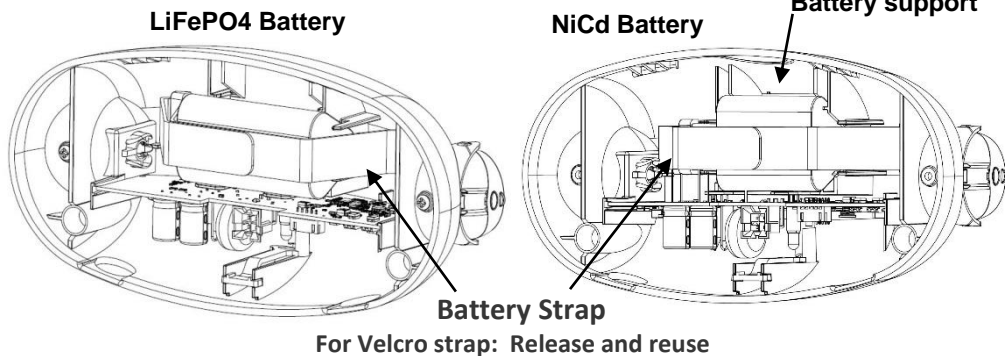
- 1 Disconnect battery from charger board. Release battery strap.

- 2 Replace battery, secure the strap snugly, and reconnect to the charger board.

- 3 Re-assemble the unit (see also step 5, page 3).

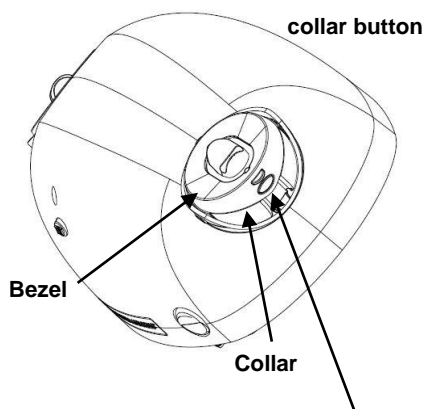
BATTERY HANDLING WARNINGS:

- Dispose of used batteries promptly.
- Keep away from children.
- Do not disassemble.
- Do not dispose of in fire.



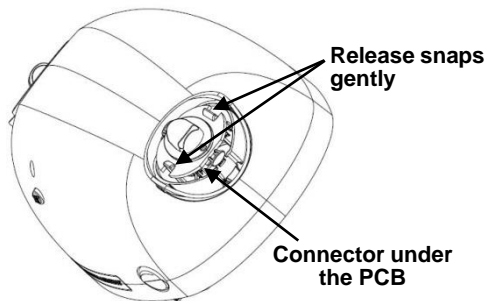
LAMP REPLACEMENT

- 1 Remove lamp bezel as shown below.

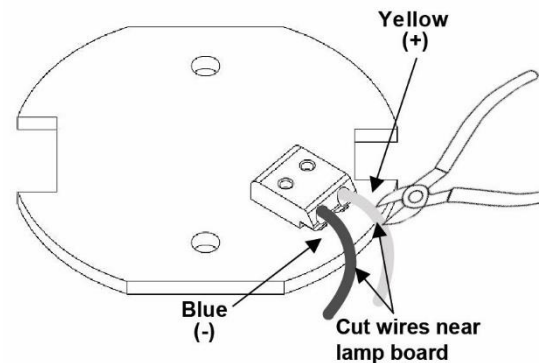


Carefully flex this edge free from collar button

- 2 Gently bend the snap at each side of the collar outward to release the lamp assembly. Cut wires near lamp board and strip back 1/4in. Connect stripped wires to the replacement lamp, following the yellow/blue polarity as marked.



- 3 Replace the lamp assembly firmly under the snaps on the collar, making sure the lamp wires are not pinched. Replace the bezel.

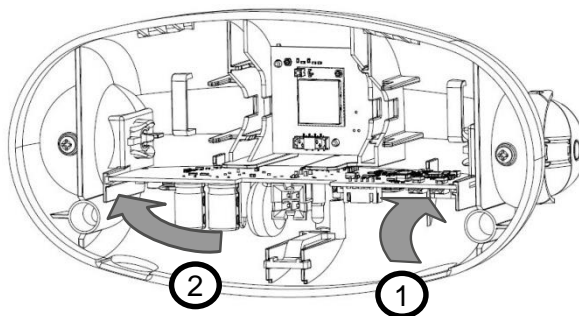
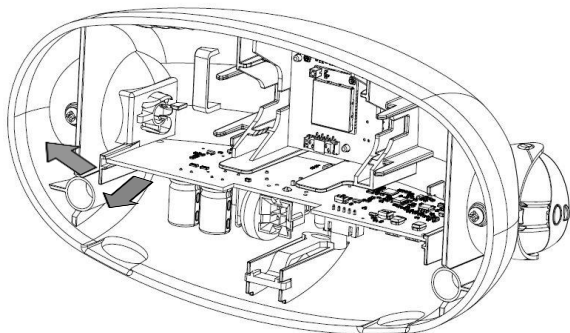


CHARGER BOARD REPLACEMENT

- 1 With the unit oriented as in the below view, flex the channel at the left end of the charger board outward to release and remove it. Unplug the battery and other connections. See "Lamp Replacement" above, to disconnect the lamp wires from the charger board.

- 2 Connect the lamp wires to the new charger board, following the yellow/blue polarity as marked. Reconnect the battery and other components (if included). For insertion of PCB, insert right side of PCB first, followed by left side (click should be heard).

- 3 Make sure all wires are routed as before, so as not to interfere with proper assembly of the housing onto the mounting plate. Re-assemble the unit (see also step 5, page 3).





 **LITHONIA LIGHTING**[®]
An  **Acuity Brands** Company

LIFE SAFETY SOLUTIONS
TEL: 800-705-SERV (7378) www.lithonia.com

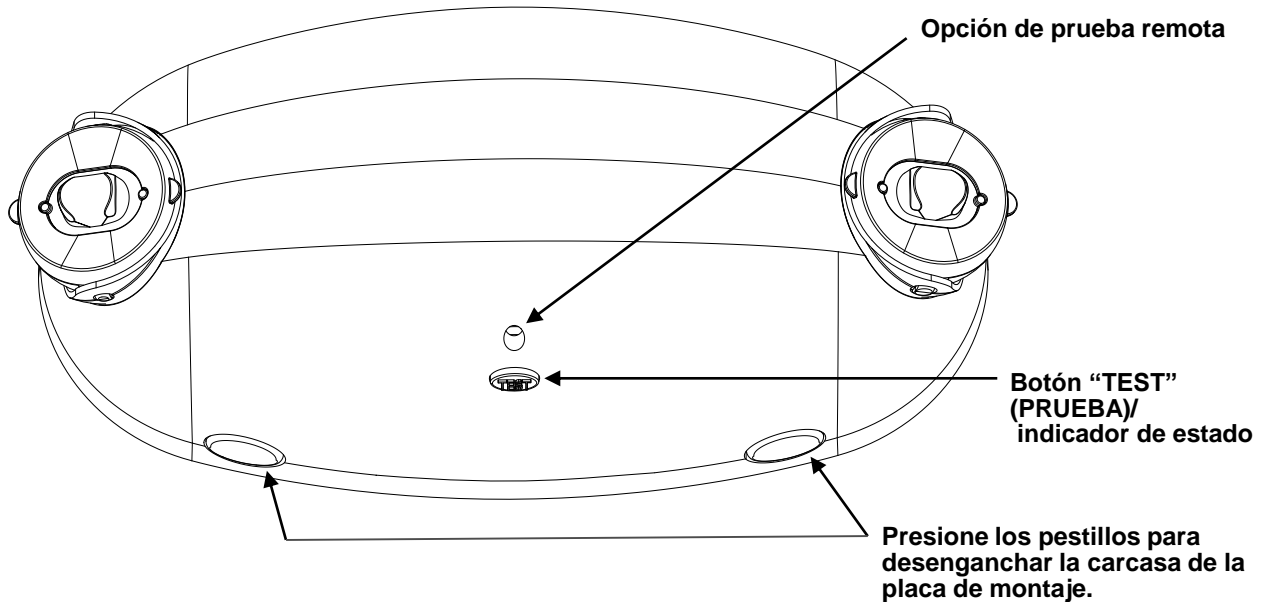
Part # 912-00026-002
Rev. D, 5/2019

© Acuity Brands Lighting, Inc. 2019
All Rights Reserved.

Instalación y cableadoPág. 2-3

Prueba y mantenimientoPág. 4-5






NOTA: Las versiones de producto que cumplen con el Título 20 de California están marcadas con "BC" en la etiqueta del producto.



MEDIDAS DE SEGURIDAD

Cuando se utilizan aparatos eléctricos, deben tomarse precauciones básicas de seguridad, incluidas las siguientes:

LEA Y SIGA TODAS LAS INSTRUCCIONES DE SEGURIDAD.

-  **ADVERTENCIA:** EL INCUMPLIMIENTO DE ESTAS INSTRUCCIONES Y ADVERTENCIAS PUEDE PROVOCAR LA MUERTE, LESIONES GRAVES O DAÑOS IMPORTANTES A LA PROPIEDAD. Para su protección, lea y siga cuidadosamente estas advertencias e instrucciones antes de instalar o realizar el mantenimiento de este equipo. Estas instrucciones no pretenden abarcar todas las situaciones de instalación y mantenimiento. Si no comprende estas instrucciones o necesita información adicional, comuníquese con Lithonia Lighting o su distribuidor local de Lithonia Lighting.
-  **ADVERTENCIA:** RIESGO DE DESCARGA ELÉCTRICA. NO CONECTE, DESCONECE NI REPARE EL EQUIPO MIENTRAS ESTE SE ENCUENTRE EN FUNCIONAMIENTO.
-  **ADVERTENCIA:** NO UTILICE MATERIALES NI SOLVENTES ABRASIVOS. EL USO DE ESTAS SUSTANCIAS PUEDE DAÑAR LOS APARATOS, LO QUE PUEDE OCASIONAR LESIONES PERSONALES.
-  **ADVERTENCIA:** RIESGO DE LESIONES PERSONALES: este producto puede tener bordes afilados. Use guantes para evitar cortes o abrasiones al extraer el producto de la caja, manipularlo, instalarlo o repararlo.
-  **ADVERTENCIA:** La batería utilizada en este dispositivo puede presentar un riesgo de incendio o quemadura química si no se utiliza correctamente. No desmontar, calentar a más de 70 °C (158 °F) o incinerar. Cambie la batería solo como se indica en la etiqueta de la batería y en la página 5 de estas instrucciones. El uso de una batería no autorizada anula la garantía y la certificación UL de este producto, y puede presentar un riesgo de incendio o explosión.

- Desconecte la fuente de CA antes de realizar el mantenimiento.
- Todo el mantenimiento debe ser realizado por personal calificado.
- Consulte su código local de edificación para conocer los tipos de cableado y instalación aprobados.
- No utilice el aparato al aire libre, a menos que se utilice con los accesorios Acuity Brands apropiados para la aplicación.
- No haga instalaciones cerca de calefactores eléctricos o a gas.
- El equipo debe ser montado en lugares y a alturas en las que no podrá ser fácilmente manipulado por personal no autorizado.
- El uso de equipos auxiliares no recomendados por el fabricante puede ocasionar una condición insegura.
- No utilice este equipo para otros usos distintos al indicado.

CONSERVE ESTAS INSTRUCCIONES Y ENTRÉGUELAS AL PROPIETARIO DESPUÉS DE LA INSTALACIÓN

IMPORTANTE: Proporcione a cada unidad una fuente de CA no conmutada monofásica de un circuito utilizado para la iluminación normal. Las versiones del producto "UVOLT" funcionan con 120 voltios hasta 347 voltios. Todas las demás versiones funcionan con 120 voltios hasta 277 voltios. **EL PRODUCTO PUEDE DAÑARSE SI SE EXCEDE EL VOLTAJE DE ENTRADA.**

NOTA: La batería debe estar conectada a la placa del cargador antes de aplicar la alimentación de CA a la unidad. La batería puede dañarse si permanece conectada durante más de 24 horas sin alimentación de CA continua. Vea también "Información importante de la batería", página 4.

NOTA: Para cumplir con los requisitos mínimos de iluminación de la NFPA 101 (Código actual de Seguridad Humana), la máxima altura de montaje de ELM2L desde el suelo es de 11.7 pies.

NOTA: No conecte la batería o la unidad de alimentación hasta que las unidades remotas (si corresponde) estén totalmente conectadas y los cables estén aislados de otros potenciales (es decir, los cables remotos deben aislarse de la toma de tierra).

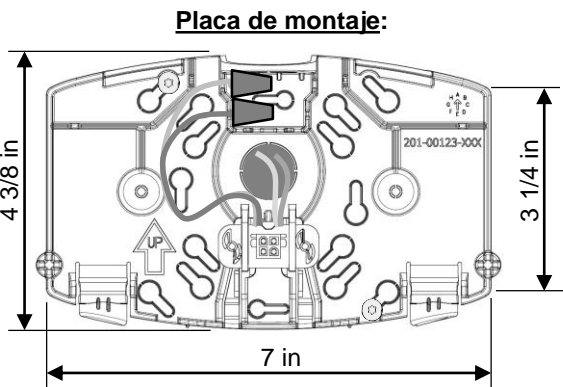
MONTAJE DE LA CAJA DE UNIÓN

Algunos detalles que se muestran a continuación pueden variar.

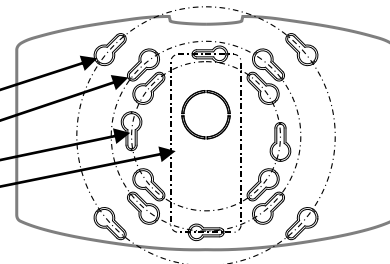
1 En la placa de montaje, retire el orificio troquelado central redondo y el par de orificios troquelados de la caja de conexiones.

2 La ruta conduce a través de la abertura central y utiliza los conectores con código aprobado para realizar las conexiones. (Vea el diagrama de cableado en la página 3). Organización de los cables y los conectores dentro de la caja de conexiones. **Unidades con cables de lámparas remotas:** Si no se conectan las lámparas remotas, los cables de estas lámparas (DC de bajo voltaje + y -) deben quedar tapados y colocados dentro de la placa de montaje como se muestra.

3 Teniendo cuidado de no presionar los cables o conductores organizados dentro de la caja de unión, fije la placa de montaje a los tornillos de la caja de unión. **NOTA:** Para asegurar que los pestillos de la placa de montaje estén correctamente enganchados a la carcasa, **NO AJUSTE DEMASIADO LOS TORNILLOS.**



- Cajas de unión alojadas:**
- Cuadrada de 4 in
 - Octagonal de 4 in
 - Redonda u octagonal de 3 1/2 in
 - Caja de salida individual



MONTAJE EN SUPERFICIE DEL CONDUCTO

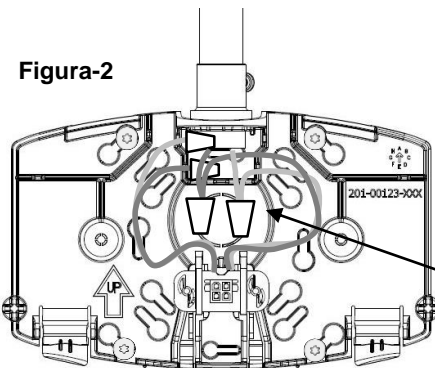
NOTA: Para evitar interferencia con los componentes de la carcasa, use los conectores más compactos apropiados para el calibre de los cables.

1 En la parte superior del centro de la placa de montaje, retire el orificio troquelado para la conexión del conducto. También retire al menos tres orificios troquelados. Conecte el conducto y fije la placa de montaje a la superficie de la pared con tornillos con una calificación mínima de retiro de 30 libras cada uno.

2 Vea el diagrama de cableado en la página 3. Conecte las conexiones de cable con código aprobado en la fuente de alimentación de CA y en las lámparas a distancia (si corresponde). Organice los cables en las ranuras de manera que los conectores estén asegurados, como se muestra en las figuras 2 o 3.

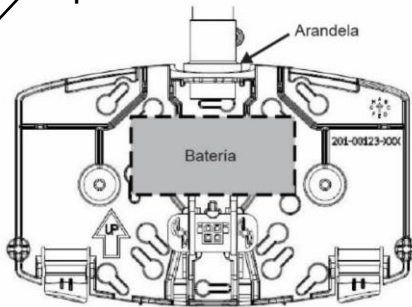
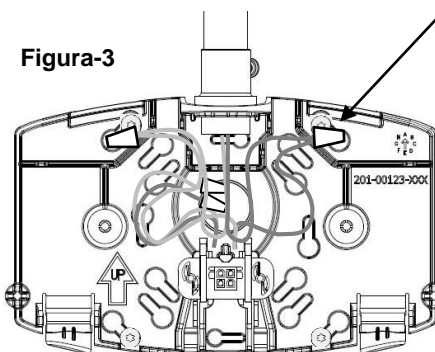
3 Retire el agujero troquelado en forma de U de la parte superior central de la carcasa. **Sugerencia:** Utilice primero un par de cortacables para iniciar un corte en la parte gruesa en cada lado del troquelado y, a continuación, termine de retirarlo con las pinzas.

Figura-2

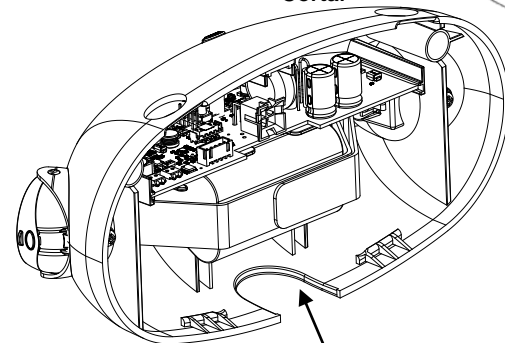
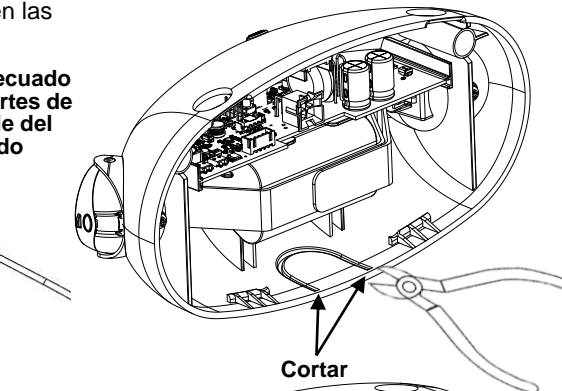


Fije los conectores de cable cerca del centro o cerca de los pestillos superiores

Figura-3



Use la arandela (Grainger # 4DAX6) entre el accesorio del conducto y la carcasa trasera si la conexión del conducto interfiere con la batería.

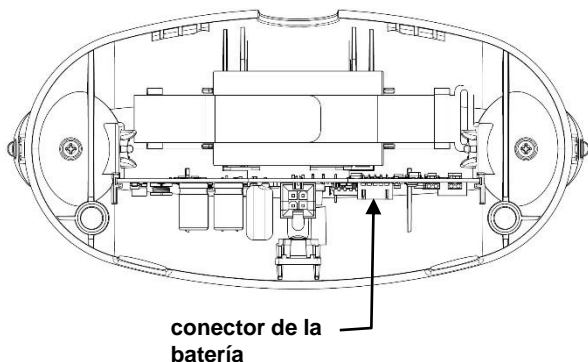


MONTAJE FINAL

4 Conecte el enchufe de la batería polarizado a la placa del cargador. Asegúrese de verificar el recorrido del cable para evitar interferencias con el conector de entrada de CA o con otros componentes.

Conexión de la batería

Nota: Algunos detalles pueden variar.



5 **Accesorios de la carcasa para la placa de montaje:**

Asegúrese de que todos los cables y los conectores sigan una ruta para evitar la interferencia con otros componentes. Alinee las aberturas de los pestillos en el lado inferior de la carcasa con los botones de los pestillos en la placa de montaje. Presione firmemente la carcasa directamente sobre la placa de montaje, asegurándose de que los cuatro pestillos estén completamente enganchados y la carcasa esté estrechamente alineada con la superficie de montaje.

Requisitos de la Comisión Federal de Comunicaciones (FCC):

Este dispositivo cumple con el Título 47 de la FCC, Parte 15, Subparte B. Este dispositivo no causa interferencia dañina.

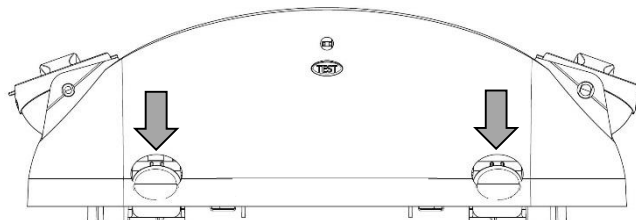
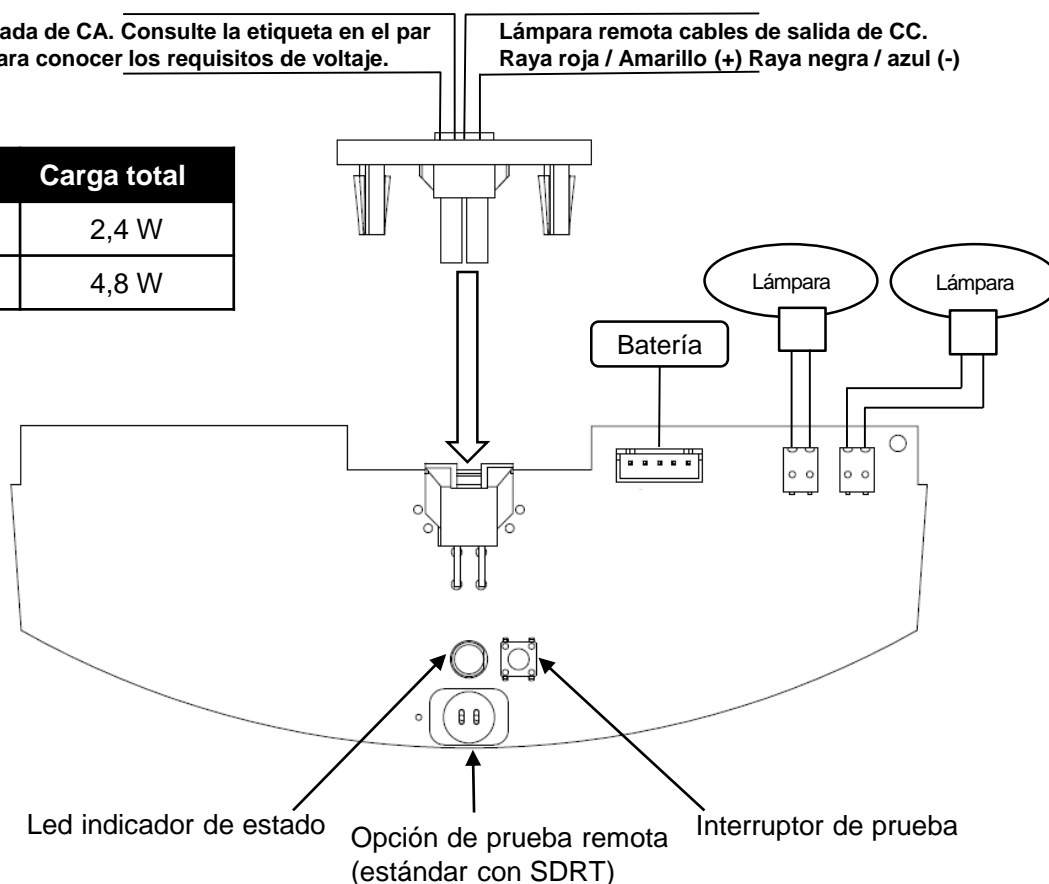


DIAGRAMA DEL CABLEADO

Cables de entrada de CA. Consulte la etiqueta en el par de alambres para conocer los requisitos de voltaje.

Lámpara remota cables de salida de CC. Raya roja / Amarillo (+) Raya negra / azul (-)

Tipo de batería	Carga total
NiCd	2,4 W
LiFePO4 (LTP)	4,8 W



NOTA: Los sistemas de iluminación de emergencia deben ser probados de acuerdo con la norma NFPA 101 o con la regularidad que exijan los códigos locales, para verificar que todos los componentes sean operativos.

NOTA: Deje que las baterías se carguen por 24 horas antes de la prueba inicial.

Prueba manual:

Si las baterías tienen carga suficiente, presione y suelte el botón "TEST", o use RTKIT (accesorio de prueba remota, hasta 40 pies de distancia solo para unidades SDRT) en la parte inferior de la unidad para activar una prueba de 60 segundos durante la cual las lámparas se encenderán. Activar cualquiera de las opciones por segunda vez permitirá una prueba de 90 minutos indicada por 5 flashes de las lámparas. Activar cualquiera de las opciones por tercera vez inhabilitará la prueba manual.

Autodiagnóstico (característica SDRT)

Las unidades con esta opción realizan automáticamente una prueba de autodiagnóstico de 5 minutos en los dispositivos electrónicos de carga, la batería y las lámparas cada 30 días, y una prueba de 90 minutos al año, la cual indica el estado del sistema como se muestra en la tabla de la derecha. La primera autoevaluación se produce después de 15 días de alimentación de CA continua.

Postergación de una autoevaluación:

Si una autoevaluación automática se produce en un momento en que no es conveniente que las lámparas de la unidad estén encendidas, se puede postergar la operación durante 8 horas al presionar o soltar el botón "TEST", o al usar la RTKIT (accesorio de prueba remota, hasta 40 pies de distancia).

Operación de cancelación de emergencia:

Mantenga presionado el botón "TEST" por varios segundos o active utilizando RTKIT (accesorio de prueba remota, hasta 40 pies de distancia), durante los cuales el indicador de estado será intermitente hasta que las luces se apaguen. Esto restaura el estado de restablecimiento CA en el que se envía la unidad.

Función de aprendizaje de carga:

Las unidades de autodiagnóstico "aprenden" automáticamente su carga total de la lámpara conectada durante la primera autoevaluación programada (aproximadamente 15 días). La función de aprendizaje de carga también puede iniciarse manualmente al mantener presionado el botón "TEST" por 7 segundos (contar las intermitencias), durante los cuales las lámparas se encenderán. Después de 7 segundos, suelte el botón; las lámparas se apagarán en 2 segundos, lo que indica que se completó el aprendizaje de carga. Si las lámparas permanecen encendidas durante más tiempo, significa que el aprendizaje de carga no pudo completarse. Esta característica de aprendizaje de carga manual debe iniciarse siempre que la unidad de la lámpara conectada esté totalmente cargada o que una lámpara sea reemplazada.

NOTA: Las funciones de aprendizaje de carga manuales no pueden iniciarse si las baterías no tienen carga suficiente. Si esto es así, espere hasta que la unidad indique que la batería ha sido totalmente cargada (indicador de estado verde fijo) antes de iniciar la función de aprendizaje de carga manual.

Aclaración de indicaciones de falla:

Después de corregir un error y luego de que se restablezca la alimentación de la unidad, desactive la indicación de error al presionar el botón "TEST" una vez o utilizando RTKIT (accesorio de prueba remota, hasta 40 pies de distancia).

INFORMACIÓN IMPORTANTE SOBRE LAS BATERÍAS:

Las baterías son productos perecederos. Para obtener mejores resultados, se recomienda que las baterías reciban una carga inicial dentro de los primeros seis meses posteriores a la fecha de fabricación del aparato. La fecha de fabricación se encuentra en el exterior del empaque de la unidad y en la etiqueta del producto, como lo establece el código de fecha/número de serie. Los dos primeros dígitos del código de fecha representan el año y los segundos dos dígitos representan el mes. En muchos casos, las baterías, más allá del marco de tiempo recomendado para la carga inicial, se recuperarán completamente si son cargadas después de la instalación. Si este tipo de baterías no se recupera después de una carga inicial completa, estas deben ser reemplazadas.

Indicaciones sobre el estado de la unidad

El botón "TEST" se ilumina para indicar las siguientes condiciones:

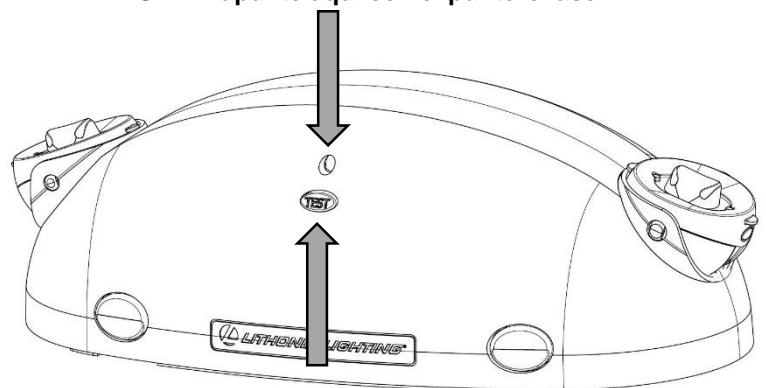
Indicación:	Estado:
Apagado	La unidad está apagada.
Luz verde intermitente	La unidad está en modo de Emergencia o Prueba.
Luz ámbar fija	La batería se está cargando.
Luz verde fija	La batería está totalmente cargada.
Rojo/verde intermitente	Prueba manual, la batería no está completamente cargada (solo SDRT).
1 intermitencia de luz roja	Falla en la batería (solo SDRT).
2 intermitencias de luz roja	Falla en la lámpara (solo SDRT).
3 intermitencias de luz roja	Falla en el cargador o los dispositivos electrónicos (solo SDRT).
Luz roja/ámbar intermitente	No se puede cargar.
Luz roja fija	La batería está desconectada.

Prueba remota (SDRT): (RTKIT se vende por separado)

Las unidades con autodiagnóstico / función de prueba remota permiten la activación manual de la prueba usando un puntero láser. Dirija el puntero láser directamente sobre el área circular etiquetada cerca del botón "TEST" durante unos instantes para activar una prueba de 60 segundos. (Vea también "Prueba manual"). Si desea cancelar una prueba en curso, dirija nuevamente el puntero láser sobre el área de prueba.

NOTA: probador remoto no debe usarse para iniciar la función de aprendizaje de carga.

SDRT: apunte aquí con el puntero láser



Botón "TEST"

REEMPLAZO DE LA BATERÍA:

Las características de la unidad y los detalles de la batería que se muestran pueden variar. Vea también "Conexiones de batería" en la página 3.

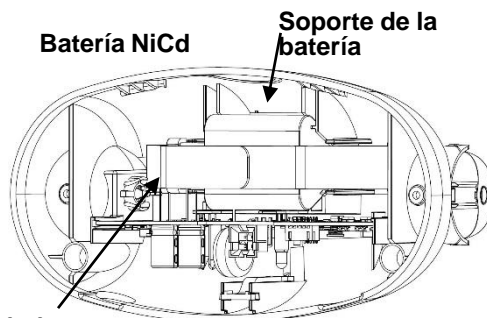
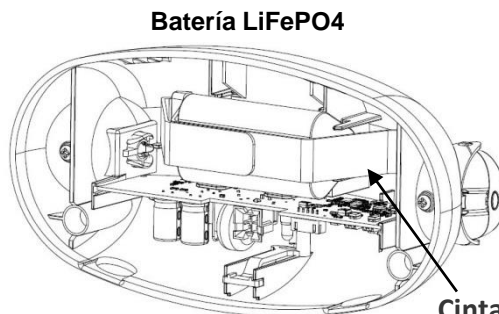
1 Desconecte la batería del cargador incorporado. Suelte la cinta de la batería.

2 Reemplace la batería, asegure bien la cinta y vuelva a conectarla a la placa del cargador.

3 Vuelva a ensamblar la unidad (consulte también el paso 5 en la página 3).

ADVERTENCIAS PARA EL MANEJO DE LA BATERÍA:

- Desechar las baterías usadas inmediatamente.
- Mantener fuera del alcance de los niños
- No desmontar.
- No arrojar al fuego.



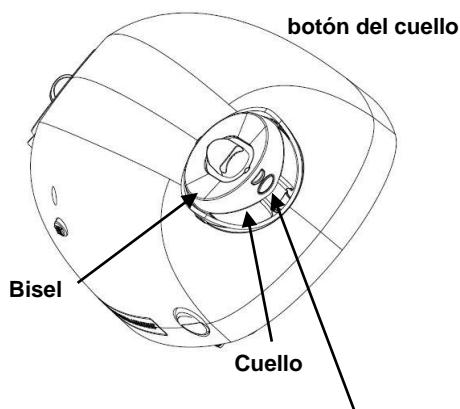
REEMPLAZO DE LA LÁMPARA:

Para la correa de velcro: liberación y reutilización

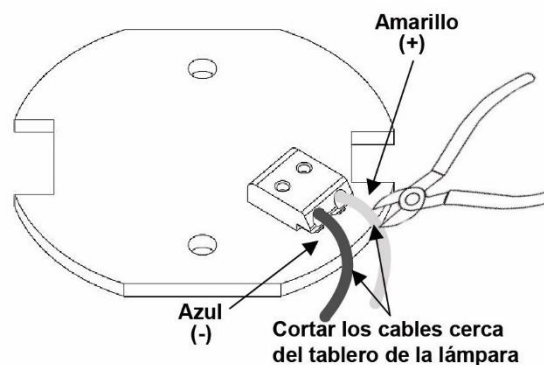
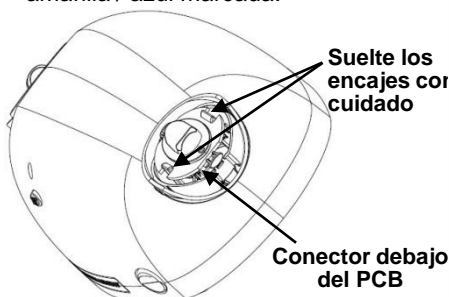
1 Retire el bisel de la lámpara como se muestra a continuación.

2 Doble con cuidado el encaje en cada lado del cuello hacia afuera para liberar el ensamblaje de la lámpara. Corte los cables cerca de la placa de la lámpara y tire hacia atrás 1 / 4 in. Conecte los cables pelados a la lámpara de reemplazo, siguiendo la polaridad amarilla / azul marcada.

3 Reemplace el ensamblaje de la lámpara firmemente bajo el encaje en el cuello, asegurándose de que los cables de la lámpara presenten pellizcos. Reemplace el bisel.



Flexione cuidadosamente este borde y apártelo del botón del cuello

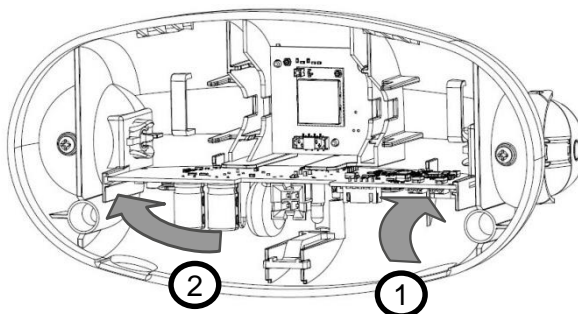
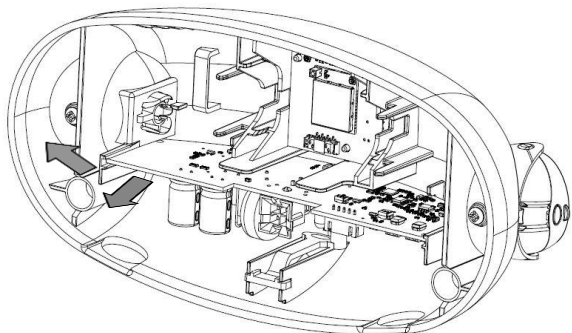


REEMPLAZO DEL CARGADOR INCORPORADO:

1 Con la unidad orientada como se muestra a continuación, flexione el canal en el extremo izquierdo de la placa del cargador hacia afuera para soltar y retirarlo. Desconecte la batería y otras conexiones. Vea "Reemplazo de lámpara" más arriba para desconectar los cables de la lámpara de la placa del cargador.

2 Conecte los cables de la lámpara a la nueva placa del cargador, siguiendo la polaridad amarillo/azul como se indica. Vuelva a conectar la batería y los otros componentes (si están incluidos). Para insertar el PCB, inserte el lado derecho del PCB en primer lugar, seguido del lado izquierdo (debe escuchar un "clic").

3 Asegúrese de direccionar todos los cables como antes, de manera que no interfieran con el correcto ensamblaje de la carcasa sobre la placa de montaje. Vuelva a ensamblar la unidad (consulte también el paso 5 en la página 3).



Este documento ha sido traducido del inglés por razones de conveniencia. En el caso de hubiera alguna inconsistencia entre el texto del documento en inglés y esta traducción, prevalecerá el texto en inglés. Todas las marcas registradas a las que se hace referencia son propiedad de sus respectivos dueños. Las marcas registradas de Acuity Brands Lighting que están marcadas con el símbolo ® están registradas en los EE. UU. y pueden estar registradas en otros países.



SOLUCIONES DE SEGURIDAD PERSONAL
TELÉFONO: 800-705-SERV (7378) www.lithonia.com

N.º de pieza: 912-00026-002
Rev. D, 5/2019

© Acuity Brands Lighting, Inc. 2019
Todos los derechos reservados.