

Quantum® ELM2LF and ELM2L

Contemporary Commercial LED Emergency Lights

Life Depends on It

When it comes to life safety, adequate is not enough. We know that life depends on building occupants and first responders having light in emergency situations. The Quantum® series from Lithonia Lighting® with improved aesthetics and performance, is easy to install and maintain. The advanced optical design and electronic technology deliver high-quality light output when it is needed most.

Market leading optical performance

Includes the latest in LED optical design raising the bar for path of egress coverage and spacing, allowing fewer products to do the same job reducing the total product spend and lowering installation time, effort and costs.

Premium LiFePO₄ Electronics Package:

- Capacity for two additional remote lamps or three hour run-time
- Universal input voltage (120 through 347V, 50–60Hz)
- Optional self-diagnostics and remote testing
- Constant light output over the full discharge period



ELM2LF Fixed Optics

- Wall-mount
- 220 lumens
- Up to 35' spacing
- No aiming required

ELM2L Aimable Optics

- 220 lumens
- Wall- and ceiling-mount
- Up to 33' spacing

Standard Features:

- Nickel-Cadium Battery
- Dual-voltage AC input
- Quick-mount installation
- UL damp location listed

Learn more about the ELM2LF and ELM2L at www.lithonia.com

Quantum® ELM2LF and ELM2L

Market Leading Optical Performance Spacings

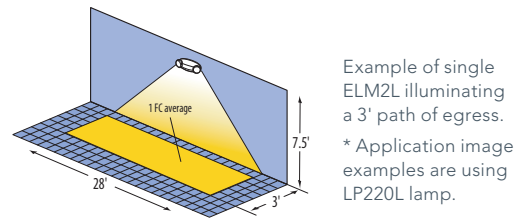
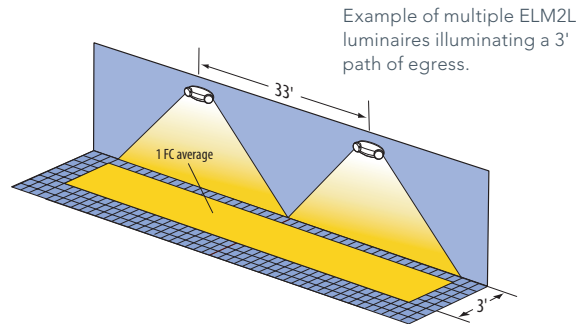
Maximum Spacing Guidelines – ELM2LF

Mounting Height	Illumination Level	Single Luminaire Coverage		Multiple Luminaire Spacing		Application Notes
		3' Path of Egress	6' Path of Egress	3' Path of Egress	6' Path of Egress	
7.5'	1FC Avg ¹	32'	20'	35'	28'	100' Corridor, 8' wide, and 12' high with 80/50/20 reflectances
10'	1FC Avg ¹	20'	NA	27'	24'	

Maximum Spacing Guidelines – ELM2L

Mounting Height	Illumination Level	Single Luminaire Coverage		Multiple Luminaire Spacing		Application Notes
		3' Path of Egress	6' Path of Egress	3' Path of Egress	6' Path of Egress	
7.5'	1FC Avg ¹	28'	20'	33'	27'	100' Corridor, 8' wide, and 12' high with 80/50/20 reflectances
10'	1FC Avg ¹	20'	14'	27'	23'	

Also meets the additional illumination requirements of NFPA 101: 1FC minimum and max/min ratio of 40:1.



Premium LiFePO₄ Electronics Package

Life Safety code requires building owners to perform a minimum 30-second test every month and 90-minute test annually. Visual inspections and tests must be documented.

Self-Diagnostics and Remote Testing

- Automatically performs monthly and annual testing with multi-status diagnostics functions. Reducing testing and maintenance labor up to 66%.
- Remote transmitter (RTKIT) initiates 30-second test for on demand visual inspection from up to 40 feet away. Eliminates the need for a lift or ladder.



Lithium battery powers **compatible remotes** OR provides extended run-times.



LTP Extended Run-Times

Products	Total run-time with no remotes
ELM2L LTP	3 hours
ELM2LF LTP	3 hours



Visit www.lithonia.com for more information.