



Catalog Number
Notes
Type

Contractor Select™

# JEBL

## LED High Bay Light



The JEBL is built to last with 6kV surge protection standard, 55°C ambient temperature rating, and IP65 rated for elimination of dust, moisture and airborne contaminants. Designed for applications including warehousing, gymnasiums, manufacturing and outdoor canopies.

### FEATURES:

- Robust 6kV surge protection standard, meeting the ANSI standard for Industrial environments
- Listed for wet locations and IP65 rated to help protect against dust, and airborne contaminants from indoor and outdoor environments



Catalog Number	UPC	Description	Replaces up to	Lumens	Input Watts	CCT	Voltage	Distribution	Pallet Qty.
JEBL 12L 40K 80CRI WH	00191848153840	JEBL LED High Bay	4-lamp T5HO, 6-lamp T8	13,356	92W	4000K	120-277	General	54
JEBL 12L 50K 80CRI WH	00191848153901	JEBL LED High Bay	4-lamp T5HO, 6-lamp T8	13,452	92W	5000K	120-277	General	54
JEBL 18L 40K 80CRI WH	00191848153895	JEBL LED High Bay	6-lamp T5HO, 8-lamp T8, 400W HID	19,783	136W	4000K	120-277	General	54
JEBL 18L 50K 80CRI WH	00191848153888	JEBL LED High Bay	6-lamp T5HO, 8-lamp T8, 400W HID	19,926	136W	5000K	120-277	General	54
JEBL 24L 40K 80CRI WH	00191848153918	JEBL LED High Bay	6-lamp T5HO, 8-lamp T8, 400W HID	26,699	181W	4000K	120-277	General	42
JEBL 24L 50K 80CRI WH	00191848153956	JEBL LED High Bay	6-lamp T5HO, 8-lamp T8, 400W HID	26,890	181W	5000K	120-277	General	42
JEBL 30L 40K 80CRI WH	00191848153925	JEBL LED High Bay	10-lamp T5HO, 575W HID	31,588	218W	4000K	120-277	General	42
JEBL 30L 50K 80CRI WH	00191848153932	JEBL LED High Bay	10-lamp T5HO, 575W HID	31,815	218W	5000K	120-277	General	42

### OPERATIONAL DATA

Lumen Package	Color Temperature	Color Rendering Index	Lumens	Wattage	Comparable Light Source:	Product Weight	Package Weight	Ambient temperature
12000LM	40K	80CRI	13,356	92.4	4-lamp T5HO, 6-lamp T8	7.53 lbs	9.7 lbs	-40° C to 55° C
	50K		13,452					
18000LM	40K	80CRI	19,783	136	6-lamp T5HO, 8-lamp T8, 400W HID	8.79 lbs	10.82 lbs	-40° C to 55° C
	50K		19,926					
24000LM	40K	80CRI	26,699	181.6	8-lamp T5HO, 400W HID	12.3 lbs	14.98 lbs	-40° C to 50° C
	50K		26,890					
30000LM	40K	80CRI	31,588	218	10-lamp T5HO, 575W HID	12.3 lbs	14.98 lbs	-40° C to 45° C
	50K		31,815					

Accessories next page



## Specifications

### INTENDED USE:

The Lithonia Lighting JEBL LED High bay is an affordable LED solution for users who prefer a luminaire with the look and feel of a round form factor. The JEBL delivers comfortable and uniform lighting for a variety of applications. **Certain airborne contaminants can diminish integrity of acrylic. [Click here for Acrylic Environmental Compatibility table for suitable uses.](#)**

Certain airborne contaminants may adversely affect the functioning of LEDs and other electronic components, depending on various factors such as concentrations of the contaminants, ventilation, and temperature at the end-user location. **[Click here for a list of substances that may not be suitable for interaction with LEDs and other electronic components.](#)**

### CONSTRUCTION:

JEBL features a white die-cast aluminum housing. Powder coat corrosion resistant finish provides 500 hours salt fog rating. Optional clear polycarbonate or diffuse aluminum reflectors available separately. Corrosion resistant external hardware standard.

### OPTICS:

A .16" thick clear tempered glass lens protects LEDs. Placement, spacing, and aperture of LEDs provides a 120 degree spread of light.

### ELECTRICAL:

High-efficiency LEDs. 0-10V dimming standard for a dimming range of 100% to 10%. Input voltage is MVOLT (120-277V). Suitable for 50/60Hz. Luminaire Surge Protection Level: Designed to withstand up to 6kV/3kA per ANSI C82.77-5-2015. L90 > 54,000 hours.

### CONTROLS:

Sensors may be field installed utilizing the wiring box accessory that is attached to the top of the fixture in the field. Recommended Acuity Brands sensors: [SBOR](#), [rSBOR](#), [XPA SBOR](#), and [XPA CMRB](#).

### INSTALLATION:

Corrosion resistant 1/4" NPT eye bolt with 1/2" thick loop and 6' cord with dimming lead provided for easy installation. 3/4" reducer available for stem or hook mounting. Optional surface mount bracket allows flexibility by adjusting in 15 degree increments for a total range of 150 degrees. Also capable of accepting 3/4" stem or hook. Recommended hooks include HKMG and HKF.

### LISTINGS:

CSA certified to US and Canadian safety standards. Wet location listed. For use under covered ceilings. See Operational Data Chart for temperature ratings. IP65 rated. Certified to meet NSF Splash Zone 2.

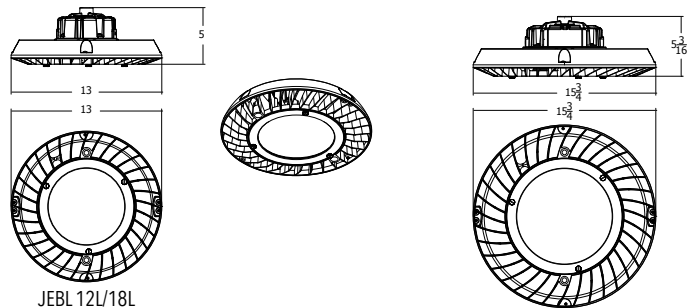
DesignLights Consortium® (DLC) Premium qualified product.

### WARRANTY:

5-year limited warranty. Complete warranty terms located at: [www.acuitybrands.com/support/customer-support/terms-and-conditions](http://www.acuitybrands.com/support/customer-support/terms-and-conditions)

**Note:** Actual performance may differ as a result of end-user environment and application. All values are design or typical values, measured under laboratory conditions at 25 °C. Specifications subject to change without notice.

## Dimensions



All dimensions are inches (centimeters) unless otherwise indicated.

### Accessories: Order as separate catalog number.

JEBLPCLR1 M4	Polycarbonate clear reflector for 12L and 18L
JEBLDALR1 M4	Diffuse Aluminum reflector for 12L and 18L
JEBLPCLR2 M4	Polycarbonate clear reflector for 24L and 30L
JEBLDALR2 M4	Diffuse Aluminum reflector for 24L and 30L
JEBLMTG ADAPTER M12	3/4" reducer
JEBSMB1 M6	Surface mount bracket for 12L and 18L
JEBSMB2 M6	Surface mount bracket for 24L and 30L
JCBLSC120	Safety cable 120"
JCBLSC240	Safety cable 240"
JEBLWBK18 M6	Wiring box kit for sensor attachment for use with 12L/18L fixtures
JEBLWBK M6	Wiring box kit for sensor attachment for use with 24L and 30L fixtures
JEBLWG1 M6	Lens wireguard for 12L and 18L <sup>1</sup>
JEBLWG2 M6	Lens wireguard for 24L and 30L <sup>1</sup>
HKF	Female aluminum hook
HKMG	Male grommeted aluminum hook

### NOTES

- Compatible with optional reflectors.

