



Adjustable, Auto-Release clothes/towel hook is recommended for patient rooms, shower rooms, bathrooms or day room areas. Housing is fabricated from 14 gage. 304 stainless steel and powder coated white. Hook assembly fabricated from stainless steel machined to a satin finish. Auto-release hooks have an adjustable releasing range of zero to 25 lbs. The release point is factory set to release at 10 lbs. +/- 2 lbs. at the base of the hook. The release point can be field adjusted using a 3/32" Allen wrench. Unit is furnished with 1/4-20 UNC tamper resistant screws for use with installer provided anchors.



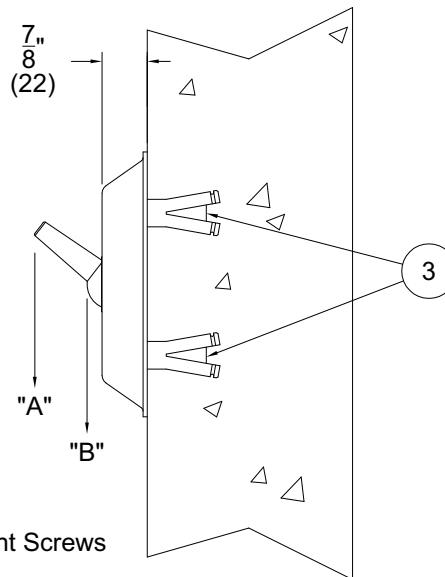
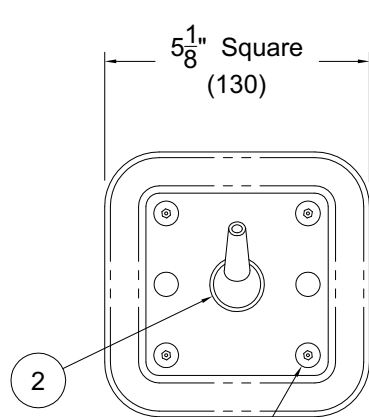
**U.S. PATENTS 9301658 & D7312915

WH1830A-SLPT

MODEL NUMBER AND OPTIONS SELECTION:

BASE MODEL NUMBER

- WH1830A-SLPT Adjustable Auto-Release Clothes Hooks, Front Mount (White)
- WH1830A-SLPT-SS Adjustable Auto-Release Clothes Hooks, Front Mount (Stainless Steel)



RELEASING POINT	
"A"	"B"
3 LBS.	10 LBS.
6 LBS.	20 LBS.

NOTE:
 RELEASE POINT
 FACTORY SET AT
 10 LBS.

- NOTES:**
1. Tamper-Resistant Screws
 2. Clothes Hook
 3. Wall Anchors (By Others)

DISCLAIMER:

This product is designed to decrease the probability that it may be utilized as an apparatus for ligature. It is not a replacement for professionals who are trained in the proper evaluation, management and supervision of persons at risk of suicide.

WARNING: Cancer and Reproductive Harm - www.P65Warnings.ca.gov

SELECTION SUMMARY & APPROVAL FOR MANUFACTURING

Model Number & Options _____ Quantity _____
 Company _____ Date _____
 Contact _____ Title _____
 Approval for Manufacturing/Signature _____



All dimensions are nominal and subject to manufacturer's change without notice. Whitehall assumes no responsibility for use of void or superseded data © Whitehall Manufacturing, Member of Morris Group International. Please visit www.whitehallmfg.com for most current specifications.