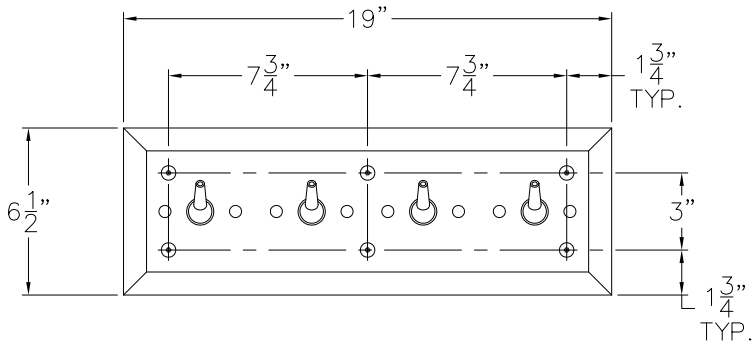
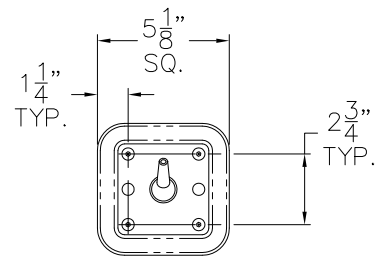


MODEL #WH1824A-SLPT

| REFERENCE DRAWING | |
|-------------------|--------------|
| FASTENERS | 9951-005-W01 |
| ADJUSTMENT | 9918-119-001 |



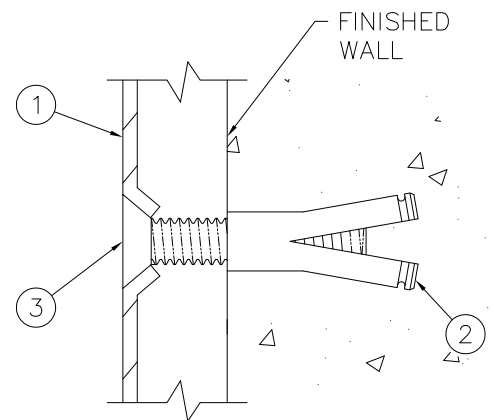
MODEL #WH1828A-SLPT



MODEL #WH1830A-SLPT

INSTALLATION INSTRUCTIONS:

- A- USE PUNCHED MOUNTING HOLES IN FIXTURE (1) AS A TEMPLATE FOR MARKING THE LOCATIONS FOR THE WALL ANCHORS (2) (BY OTHERS) ON THE WALL.
- B- INSTALL WALL ANCHORS (2) (BY OTHERS).
- C- FASTEN FIXTURE (1) TO WALL USING SCREWS (3) PROVIDED.

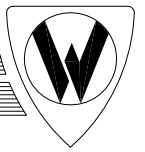


MOUNTING DETAIL



WHITEHALL MANUFACTURING
 P.O. BOX 3527 Industry, CA 91744
 15125 Proctor Ave Industry, CA 91746
 (626) 968-6681 FAX (626) 855-4862

| | | |
|---------------------------------------------------------------------------|--------------------------------|---------------------------------------|
| TITLE FRONT MOUNTED LIGATURE RESISTANT ADJUSTABLE TOWEL HOOK(S) | | |
| MANUFACTURE DATE JANUARY 2017 TO PRESENT | DATE ISSUED 01/20/17 | DRAWING NUMBER 9918-107-001 |
| | DATE REVISED | |



NOTE:

AUTO-RELEASE HOOKS ARE FACTORY SET TO SUPPORT ABOUT 10 POUNDS AT THE BASE (1) OF THE PIN. TESTING IS DONE USING PARACHUTE/550 CORD (2) LOOPED AROUND THE BASE OF THE HOOK AND WEIGHTED. PLEASE NOTE: IF LOAD TESTING IS DONE AT THE TIP OF THE HOOK (3), A MUCH LOWER LOAD WEIGHT WILL BE SUPPORTED.

TO CHECK IF HOOK IS PROPERLY ADJUSTED, USE A 10 POUND WEIGHT (SUGGESTED) AND A LENGTH OF PARACHUTE CORD (2) LOOPED AROUND THE BASE (1) OF THE PIN AND THE WEIGHT (4) HANGING CLOSE TO THE FLOOR. THE PIN SHOULD HOLD THIS LOAD. IF EXTRA WEIGHT IS ADDED, THE PIN SHOULD SLIP DOWNWARD AND RELEASE THE APPLIED LOAD.

IF ADJUSTMENT IS REQUIRED:

USE A 3/32" ALLEN WRENCH (5), BY OTHERS, INSERT INTO THE TIP OF THE PIN.

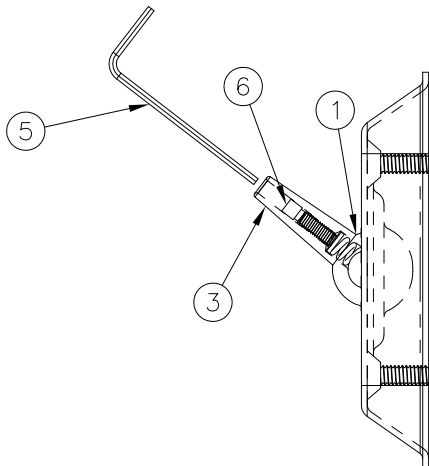
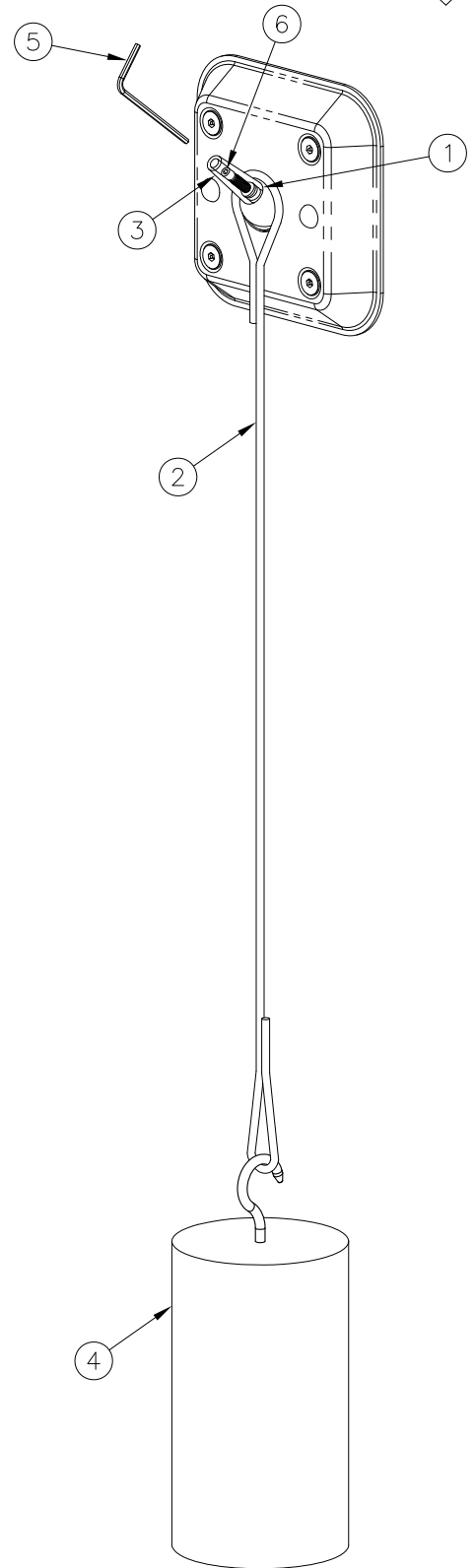
TO INCREASE TENSION, TURN THE ADJUSTING SCREW (6) CLOCKWISE AND; THEREFORE WILL INCREASE THE SUPPORTING LOAD WEIGHT. TURNING ADJUSTING SCREW (6) COUNTER-CLOCKWISE WILL REDUCE THE SUPPORTING LOAD.

NOTE:

IT IS RECOMMENDED THAT HOOKS ARE ADJUSTED TO SUPPORT LESS THAT 10 POUNDS AT THE BASE.

NOTE:

IF THE ADJUSTING SCREW (6) IS SCREWED ALL THE WAY IN, THE BASE OF HOOK SHOULD NOT HOLD A LOAD OF GREATER THAN 25 POUNDS. IF IT DOES THE ASSEMBLY SHOULD BE DISCARDED AND REPLACED BY CONTACTING FACTORY.



SCALED x 1-1/2

| | | | |
|-----------------------------------------------------------------------------------------------------------------------------------------------------------------------------------------------------------------------------|------------------------------------------------------------------------------|---------------------------------------|----------------------------------------------|
|  WHITEHALL MANUFACTURING P.O. BOX 3527 Industry, CA 91744 15125 Proctor Ave Industry, CA 91746 (626) 968-6681 FAX (626) 855-4862 | TITLE ADJUSTABLE AUTO-RELEASE CLOTHES/TOWEL HOOK ADJUSTMENT | | |
| | MANUFACTURE DATE JANUARY 2017 TO PRESENT | DATE ISSUED 01/20/17 | DRAWING NUMBER 9918-119-001 |
| | | DATE REVISED | |