



**3-Person Wall Mount  
Stainless Steel Wash Station**



Model	Flow-Rate
5A3F	Standard 2.0 GPM
5A3F-0.5	Low-Flow 0.5 GPM

**Product Specifications**

Ideal for use in the medical and clean room applications. Built to last using 16-gauge, type 304 stainless steel. Exposed surfaces have a satin finish.

Outside Dimensions	68" x 20" x 15" High
Inside Bowl Size	65" x 16-1/2" x 5" Deep
Back Splash Height	10"
Water Activation	Manual Faucet with 4" Handles
Faucet Mounting Center	8"
Faucet Mounting Holes	7/8"
Flow Rate	2 GPM
Inlet Connections	1/2" Male NPT
Drain Opening	2"
Finish	Satin
Strainer	1-1/2" dia. Duo Basket Strainer
Wall Mounting Bracket	1/4" dia. Mounting Holes

**Includes**

- (1) Three-person wall mount wash station
- (3) 8" on center faucets
- (3) Faucet mounting kit
- (2) Wall-mounting brackets
- (2) Support brackets
- (1) Strainer assembly with basket

**Product Compliance**

NSF/ANSI 2 Food Equipment  
NSF/ANSI 61, Section 9  
ASME A112.18.1/CSA B125.1  
ADA Compliant



Part: \_\_\_\_\_ Quantity: \_\_\_\_\_

Project: \_\_\_\_\_

Contact: \_\_\_\_\_

Date: \_\_\_\_\_

Approval: \_\_\_\_\_

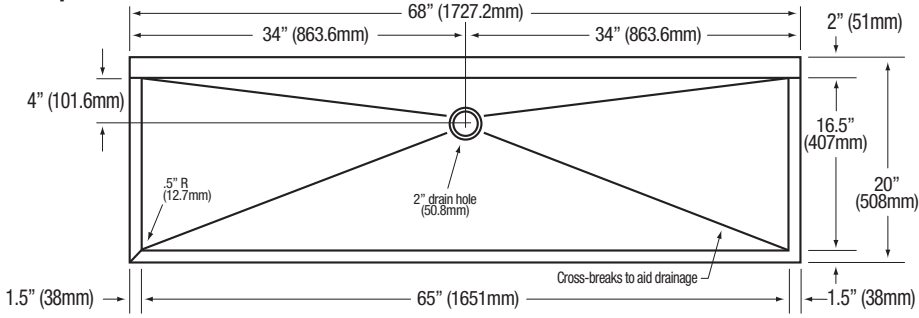
Notes:



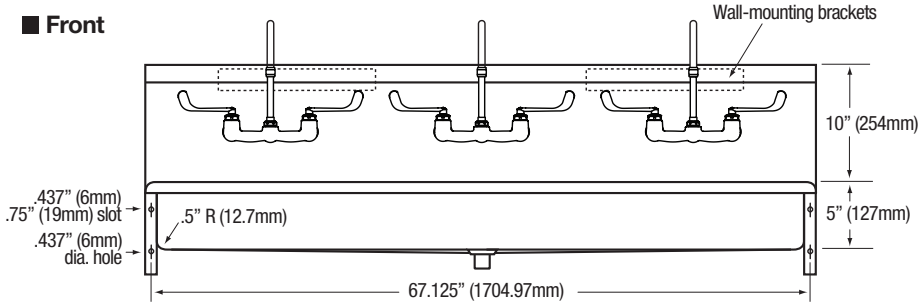
**WARNING:** Equipment that include faucets on this page may contain a chemical known to the State of California to cause cancer, birth defects or other reproductive harm.

**3-Person Wall Mount Stainless Steel Wash Station**  
**Models 5A3F and 5A3F-0.5**

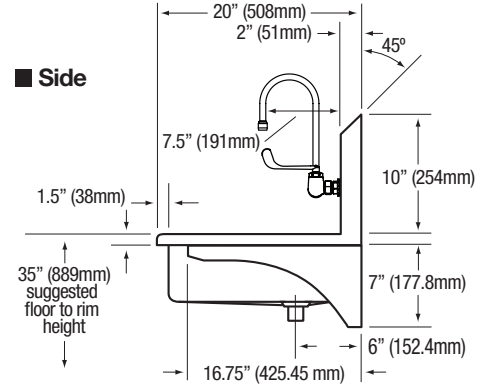
■ **Top**



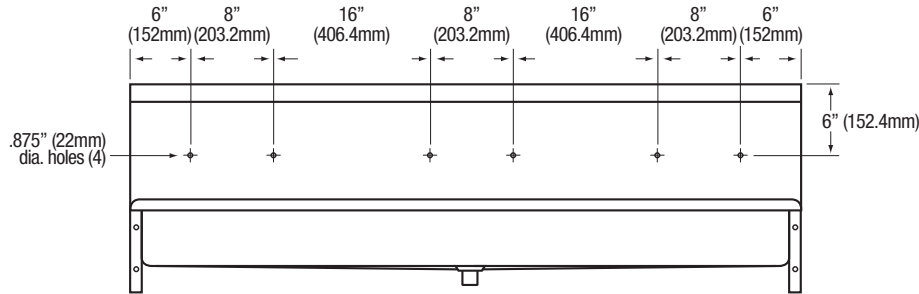
■ **Front**



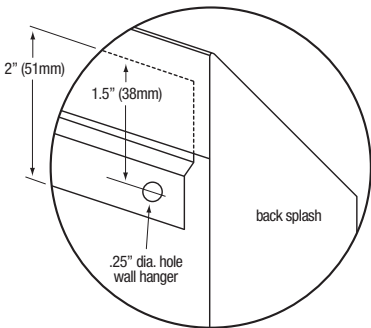
■ **Side**



■ **Hole Configurations**



■ **Wall Mounting Detail**



■ **Supply Line Detail**

