



**2-Person Wall Mount
Stainless Steel Wash Station**

Model	Flow-Rate
5A2F	Standard 2.0 GPM
5A2F-0.5	Low-Flow 0.5 GPM

Product Specifications

Ideal for use in the medical and clean room applications. Built to last using 16-gauge, type 304 stainless steel. Exposed surfaces have a satin finish.

Outside Dimensions	48" x 20" x 15" High
Inside Bowl Size	45" x 16-1/2" x 5" Deep
Back Splash Height	10"
Water Activation	Manual Faucet with 4" Handles
Faucet Mounting Center	8"
Faucet Mounting Holes	7/8"
Flow Rate	2 GPM
Inlet Connections	1/2" Male NPT
Drain Opening	2"
Finish	Satin
Strainer	1-1/2" dia. Duo Basket Strainer
Wall Mounting Bracket	1/4" dia. Mounting Holes

Includes

- (1) Two-person wall mount wash station
- (2) 8" on center faucets
- (2) Faucet mounting kit
- (2) Wall-mounting brackets
- (2) Support brackets
- (1) Strainer assembly with basket

Product Compliance

NSF/ANSI 2 Food Equipment
NSF/ANSI 61, Section 9
ASME A112.18.1/CSA B125.1
ADA Compliant



Part: _____ Quantity: _____

Project: _____

Contact: _____

Date: _____

Approval: _____

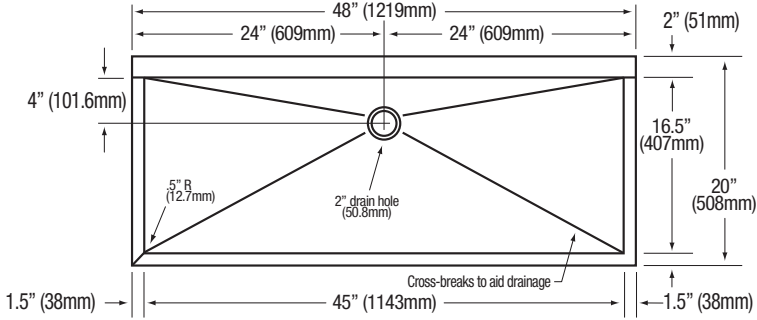
Notes:



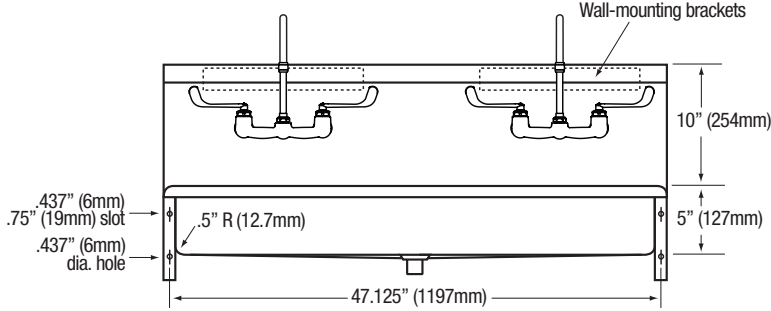
WARNING: Equipment that include faucets on this page may contain a chemical known to the State of California to cause cancer, birth defects or other reproductive harm.

**2-Person Wall Mount Stainless Steel Wash Station
Models 5A2F and 5A2F-0.5**

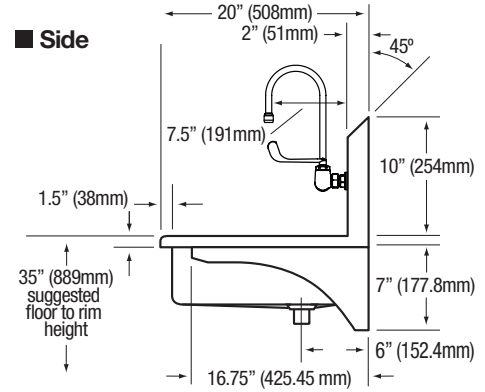
■ **Top**



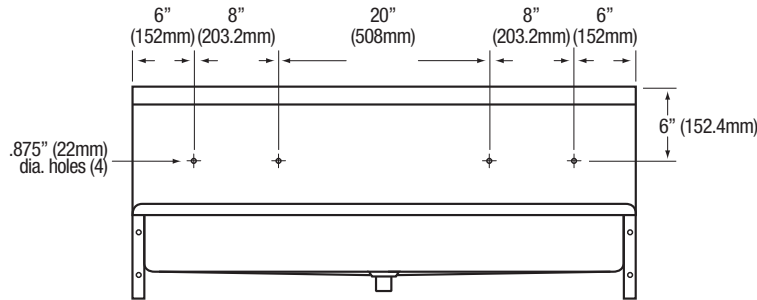
■ **Front**



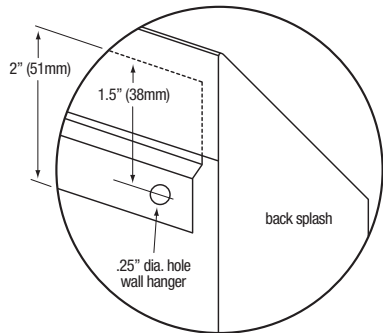
■ **Side**



■ **Hole Configurations**



■ **Wall Mounting Detail**



■ **Supply Line Detail**

