

**Hands-Free Wall Mount Stainless Steel Sink**

| Model    | Flow-Rate        |
|----------|------------------|
| 605D     | Standard 2.0 GPM |
| 605D-0.5 | Low-Flow 0.5 GPM |

**Product Specifications**

Hands-Free operation is ideal for use in food service applications. Deep drawn from heavy duty 18-gauge type 304 stainless steel with large rounded corners. Exposed surfaces have an electropolished finish to enhance resistance to corrosion, reduce any bacterial growth and make for easier cleaning. Specially designed knee valves provide easy access to working parts without disconnecting mount or plumbing.

|                       |                                 |
|-----------------------|---------------------------------|
| Outside Dimensions    | 16" x 15-1/2" x 13" High        |
| Inside Bowl Size      | 14" x 11" x 5" Deep             |
| Back Splash Height    | 8"                              |
| Water Activation      | Double Knee Pedal Valve         |
| Flow Rate             | 2 GPM                           |
| Inlet Connections     | 1/2" Male NPT                   |
| Drain Opening         | 2"                              |
| Finish                | Electropolished                 |
| Strainer              | 1-1/2" Dia. Duo Basket Strainer |
| Wall Mounting Bracket | 1/4" Dia. Mounting Holes        |

**Includes**

- 1) Wall mount sink
- (1) Double knee pedal valve with 2 nuts
- (1) Swivel gooseneck spout with aerator
- (1) Connecting tube for valve to spout connection
- (2) Fittings, brass, 0.375" male compression and 0.375" male NPT
- (1) Wall-mounting bracket
- (1) Strainer assembly with basket

**Product Compliance**

NSF/ANSI 2 Food Equipment  
NSF/ANSI 372 Low-Lead



Part: \_\_\_\_\_ Quantity: \_\_\_\_\_

Project: \_\_\_\_\_

Contact: \_\_\_\_\_

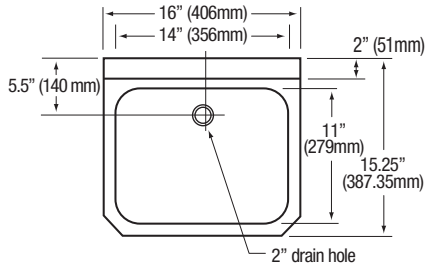
Date: \_\_\_\_\_

Approval: \_\_\_\_\_

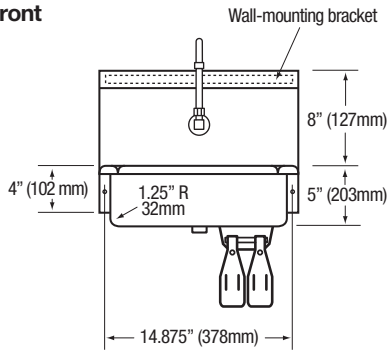
Notes:

**Hands-Free Wall Mount Stainless Steel Sink  
Models 605D and 605D-0.5**

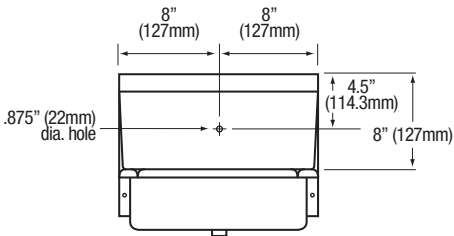
■ **Top**



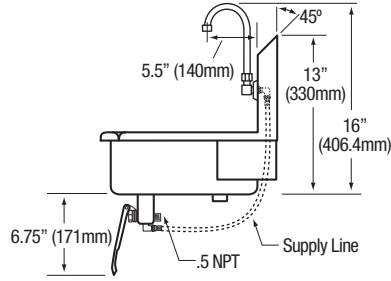
■ **Front**



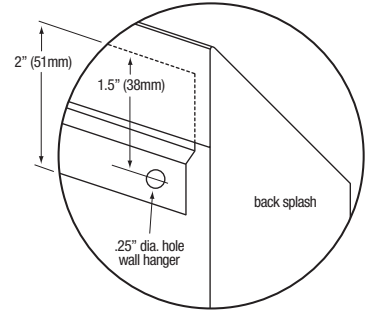
■ **Hole Configuration**



■ **Side**



■ **Wall Mounting Detail**



■ **Supply Line Detail**

