

## Commander® 8" Widespread Faucet

### FEATURES:

- Brass construction with corrosion resistant polished chrome finish
- Lavatory spout
- Vandal-resistant 4" wrist blade handle with color-coded indexes
- 1/4 turn ceramic cartridges to ensure drip-free performance
- Vandal-resistant 0.5 GPM (1.89 L/min) flow control
- Accommodates installations up to 1-1/2" thick
- 8" fixed centers with rigid copper tee connection
- 1/2" -14 NPSM inlets (supply lines not included)
- Drain assembly not included



### AERATOR/FLOW RATE ADD-ONS:

- A-BOLF: 0.5 GPM (1.89 L/min) Boca Spray & 1.5 GPM (5.7 L/min) Laminar Flow Outlet Kit
- A-EA12: 1.2 GPM (4.54 L/min) Aerator Flow Control
- A-ELF: 1.2 GPM (4.54 L/min) Laminar Flow Aerator

### HANDLE/HOSE ADD-ONS:

- A-CROSS: Cross Handle Kit
- A-HOSES: Flex Hose Kit
- A-LEVER: Lever Handle Kit

### DRAIN ADD-ONS:

- S-3440: Strainer drain with chrome plated brass strainer plate
- S-3470: Chrome plated brass push pop-up drain

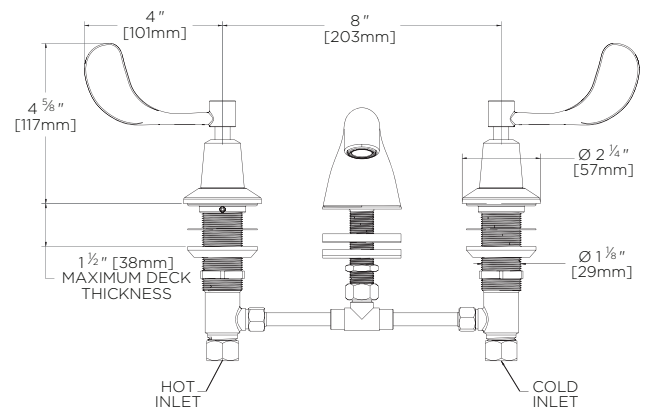
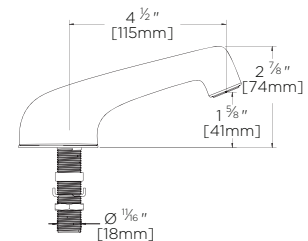
### STANDARDS:

- ASME A112.18.1/CSA B125.1 certified
- NSF/ANSI 61 certified
- NSF/ANSI 372 certified

### WARRANTY:

Visit [www.speakman.com](http://www.speakman.com) for full product warranty information

- 5 Year Limited Warranty (commercial)
- 5 Year Limited Warranty (residential)



1. All dimensions are in inches (millimeters) unless otherwise specified and are subject to change without notice.

Architect/Engineer Approval Space:

SPEAKMAN  
400 ANCHOR MILL ROAD  
NEW CASTLE, DE 19720

P: 800-537-2107  
F: 800-977-2747  
W: WWW.SPEAKMAN.COM  
R: 01-MAY 2018