



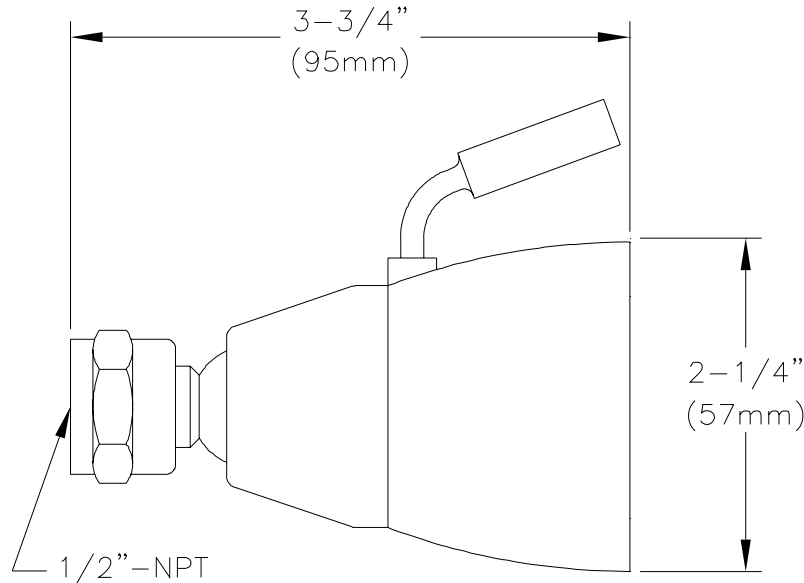
TEMP-GARD LARGE BRASS SHOWER HEAD W/ VOLUME CONTROL

Z7000-S5

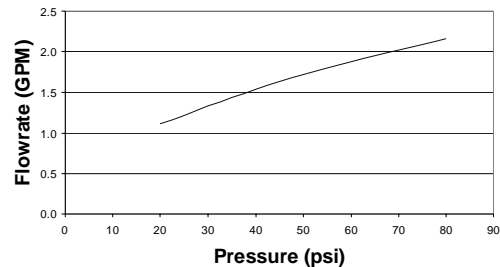
TAG _____



ENGINEERING SPECIFICATIONS: Self-cleaning brass shower head with hard chrome plated finish, brass chrome plated ball joint connector, maximum flow rate 2.5 GPM at 80 PSI, 1/2" NPT female threaded inlet, body width spray pattern adjusts from needle shower to heavy wash.



Z7000-S5 Flowrate*



* Actual flow rate may vary due to system and installation conditions.

Note: All dimensions are for reference only. Do not use for pre-plumbing

OPTIONAL ACCESSORIES

Suffix Description

- ___ -VP Vandal Proof
- ___ -STN Satin Nickel Finish
- ___ -1.25 Water Saver Flow Control, 1.25 GPM
- ___ -1.5 Water Saver Flow Control, 1.5 GPM
- ___ -1.75 Water Saver Flow Control, 1.75 GPM
- ___ -2.0 Water Saver Flow Control, 2.0 GPM

STANDARDS

Designed to comply with:
ASME A112.18.1-2005/CSA B125.1-05

ZURN INDUSTRIES, LLC ♦ COMMERCIAL BRASS OPERATION ♦ 2640 SOUTH WORK STREET ♦ FALCONER NY 14733

Phone: 1-800-997-3876 ♦ Fax: 1-919-775-3541 ♦ www.zurn.com

In Canada: ZURN INDUSTRIES LIMITED ♦ 3544 Nashua Drive ♦ Mississauga, Ontario L4V1L2 ♦ Phone: 905/405-8272 Fax: 905/405-1292