

®

SPEEDAIRE



1/4''-20 MINI ANGLE GRINDER

Model 45YY18



SPEEDART®

GETTING STARTED
OPERATION

SAFETY /
SPECIFICATIONS

ASSEMBLY /
INSTALLATION

TROUBLESHOOTING

MAINTENANCE /
REPAIR

**PLEASE READ AND SAVE
THESE INSTRUCTIONS.
READ CAREFULLY
BEFORE ATTEMPTING
TO ASSEMBLE, INSTALL,
OPERATE OR MAINTAIN THE
PRODUCT DESCRIBED.**

**PROTECT YOURSELF AND
OTHERS BY OBSERVING ALL
SAFETY INFORMATION. FAILURE
TO COMPLY WITH INSTRUCTIONS
COULD RESULT IN PERSONAL
INJURY AND/OR PROPERTY
DAMAGE! RETAIN INSTRUCTIONS
FOR FUTURE REFERENCE.**

**PLEASE REFER TO BACK COVER
FOR INFORMATION REGARDING
DAYTON'S WARRANTY AND OTHER
IMPORTANT INFORMATION.**

Model #: _____

Serial #: _____

Purch. Date: _____



1/4"-20 Mini Angle Grinder

45YY18

Owner's Manual

Model	Free Speed (RPM)	Wheel Diameter	Horsepower (HP)	Air Inlet (NPT)	Hose Size (Inch)	Arbor Hole Size	Average CFM @ 15-SEC Run TIME	Length (Inch)	Weight (Lbs)
45YY18	12,000	2 1/2"	0.4	1/4"	3/8"	3/8"	3	6	1.6

OPERATING INSTRUCTIONS

1. **REVIEW THIS ENTIRE MANUAL BEFORE OPERATING YOUR AIR TOOL.**
2. **BEFORE MOUNTING ACCESSORIES** and before placing tool in service, check the free running spindle speed with 90 PSI at the tool inlet. Periodically check the tool's free speed.
3. **ALWAYS WEAR APPROVED EYE PROTECTION.** Use a dust mask if the operation creates dust.
4. **PROTECT YOURSELF FROM NOISE.** Noise levels vary with work surface. If noise level is high, wear ear protectors.
5. **WEAR GLOVES AND PROTECTIVE CLOTHING** to avoid injuries caused by chips or pieces, malfunctioning attachments, or improperly clamped work.
6. **NEVER USE THIS AIR TOOL AT AIR PRESSURE ABOVE 90 PSI AT TOOL INLET. THIS IS AN UNGOVERNED TOOL AND ITS FREE SPEED WILL INCREASE IN PROPORTION TO ANY INCREASE IN AIR PRESSURE ABOVE 90 PSI.** Control air pressure with a reliable automatic air regulator. Periodically monitor air pressure at tool's air inlet while tool is running free speed.
7. **USE ONLY ACCESSORIES** with R.P.M. (speed) rating **AT** or **ABOVE** the **ACTUAL** free speed of the air tool. **THE RATED FREE RUNNING SPEED OF THIS TOOL** is 12,000 R.P.M.
8. **DISCONNECT TOOL FROM AIR SUPPLY BEFORE CHANGING OR INSPECTING ACCESSORIES.** Do not perform service work on tool while connected to an air supply.
9. **IF A SUDDEN CHANGE OCCURS** in the feel (vibration level) or sound (pitch) of the unit, the tool should be **IMMEDIATELY TURNED OFF** and the work head inspected for damage. Do not use cracked or chipped wheels, discs, wire brushes, mounted stones, etc.
10. **HANDLE THE TOOL SAFELY.** Do not carry the tool with a finger on or near the throttle while the tool is connected to an air supply. Do not carry the die grinder by the hose. Protect the hose from heat and sharp objects.
11. **WHEN NOT IN USE, DISCONNECT TOOL FROM AIR SUPPLY** to prevent accidental or unauthorized use in the absence of the operator.
12. **KEEP VISITORS AT A SAFE DISTANCE** and out of line with the tool's work head and work surface.



1/4" -20 Mini Angle Grinder

SAFETY / SPECIFICATIONS

! WARNING

Always operate, inspect and maintain this tool in accordance with American National Standards Institute Safety Code of Portable Air Tools (ANSI B186.1) and any other applicable safety code and regulations.

Always wear impact-resistant eye and face protection when operating or performing maintenance on the tool. Always wear hearing protection when using this tool. High sound levels can cause permanent hearing loss. Use hearing protection as recommended by your employer or OSHA regulation.

Unpacking

When unpacking the unit, carefully look for any damage that may have occurred during transit. Check for loose, missing or damaged parts.

General Safety Information

1. For Additional Safety Information Consult:

Your employer, union, and/or trade association. US Department of Labor (OSHA); www.osha.gov. "Safety Code For Portable Air Tools" (B186.1)

2. Entanglement Hazards

Keep away from rotating spindle and accessory.
Do not wear jewelry or loose clothing. Scalping can occur if hair is not kept away from the tool and accessories. Choking can occur if neckwear is not kept away from tool and accessories.

3. Workplace Hazards

Slip/Trip/Fall is a major cause of serious injury or death. Beware of excess hose left on the walking or work surface.
High sound levels can cause permanent hearing loss. Use hearing

protection as recommended by your employer or OSHA regulation (see 29 CFR part 1910).

Maintain a balanced body position and secure footing.

Repetitive work motions, awkward positions and exposure to vibration can be harmful to hands and arms. If numbness, tingling, pain or whitening of the skin occurs, stop using tool and consult a physician.

Avoid inhaling dust or handling debris from the work process which can be harmful to your health. Use dust extraction and wear respiratory protective equipment when working with materials which produce airborne particles. This tool is not intended for use in explosive atmospheres and is not insulated for contact with electric power sources. Potentially explosive atmospheres can be caused by dust and fumes resulting from sanding or grinding.

Use dust extraction or suppression system which is suitable for the material being processed.

Some dust created by power sanding, sawing, grinding, drilling and other construction activities contains chemicals known to the State of California to

cause cancer and birth defects or other reproductive harm.

Some examples of these chemicals are:

- Lead from lead based paints
- Crystalline silica bricks and cement and other masonry products
- And Arsenic and chromium from chemically-treated rubber

Your risk from these exposures varies, depending on how often you do this type of work. To reduce your exposure to these chemicals: work in a well ventilated area, and work with approved safety equipment, such as dust masks that are specially designed to filter out microscopic particles.

For professional use only.



Some dust created by power sanding, sawing, grinding, drilling, and other construction activities contains chemicals known to cause cancer, birth defects or other reproductive harm. Some examples of these chemicals are :

- . Lead from Lead-based paints
- . Crystalline silica from bricks and cement and other masonry products, and
- . Arsenic and chromium from chemically-treated lumber.

Your risk from these exposures varies, depending on how often you do this type of work. To reduce your exposure to these chemicals : work in a well-ventilated area, and work with approved safety equipment, such as those dust masks that are specially designed to filter out microscopic particles.



1/4"-20 Mini Angle Grinder

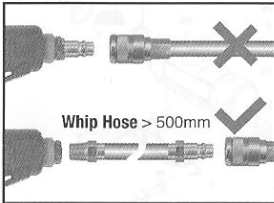
Piping System

Air mains and lines should be large enough to avoid excessive pressure loss under conditions of maximum flow.

In air lines, as in aftercoolers, water is continually precipitated as the air cools. For this reason pipe lines should be provided with a means of draining or trapping this water before it reaches the hose outlets.

It is advisable to pitch the mains in the direction of air flow so that both gravity and air flow will carry the water to traps or water legs located at frequent intervals. These should be drained regularly and never allowed to become full and inoperative. Use of automatic traps will eliminate manual draining and the possibility of traps becoming full.

However traps which drain to sewers can waste a considerable amount of air unless regularly inspected and kept in good working order.



Air Regulators

Clean, dry, lubricated air at the proper pressure is the most important requirement for proper operation of air tools. Speedaire® tools are designed to operate at 90 PSI unless otherwise specified.

Installation

On installations where the piping system does not provide clean, dry air, the use of filters at hose connection points is recommended. A good filter, kept properly drained, will remove nearly all entrained water whereas a poor one is practically useless. Most filters do not have adequate water storage capacity and, unless provided with an auxiliary storage receiver or automatic trap, soon cease to function.

Operation

1. Supply tool with 90PSI of clean, dry air. Higher pressure drastically reduces tool life. Connect tool to air line using pipe, hose, and fitting sizes. Do not install a quick coupler directly into the grinder throttle handle.
2. Use only mounted wheels or tire buffing accessories with adequate speed rating and the correct shaft diameter. Grinding accessory's rated speed must be equal to or greater than the speed of the die grinder.

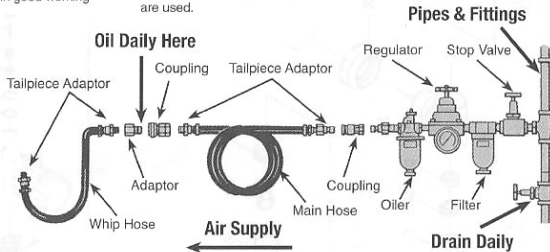
Provision for quick and positive inspection of operation and for leakage should be made when traps are installed.

Three-way cocks or stop and waste cocks in the drains are usually provided for this purpose.

To aid in preventing condensed moisture from reaching the tools, down pipes or hose connections should never be taken directly from the bottom of air pipes or mains.

Connection should be made at the top of the main and a long radius return bend used.

Leaders, valves and hose connections should be large enough to pass the maximum amount of air required by the tool or tools on the line. This is particularly important if manifolds, from which several hose lines run, are used.



Lubrication

Use an air line lubricator with Mobil Almo 525 air tool oil (model 4ZF22), adjusted to two (2) drops per minute. If an air line lubricator cannot be used, add air motor oil to the inlet once a day.

Moisture Elimination

The amount of moisture carried by compressed air varies as the temperature of the air drops after compression. As the temperature drops, water is precipitated. In order to eliminate as much water as possible, compressors should be equipped with intercoolers, aftercoolers, and full size receivers. These should be kept drained and in good working condition.

Compressor Intake

Locate the intake to obtain the coolest, driest and cleanest air available. Intakes should be of ample size and as direct as possible. Avoid steam pipes, escaping steam and dusty or wet locations (as near roofs, floors, ground, etc...). When practical, take air from out-of-door on the north side of the building. Provide proper screening and protection. Intake filters of suitable size should be used.

ASSEMBLY /
INSTALLATION



1/4"-20 Mini Angle Grinder

Troubleshooting

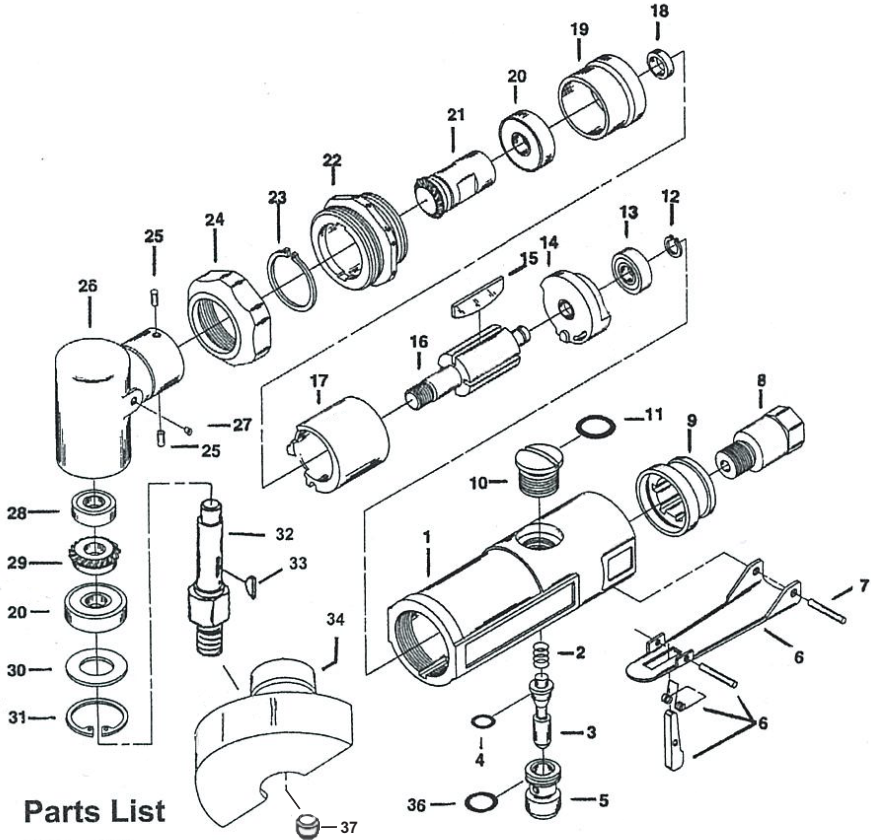
Problem	Possible Cause	Solution
There is moisture blowing out of the tool's exhaust.	There is water in the tank.	Drain the tank. (see the air compressor manual for instructions.) Lubricate the tool again and run for 1-2 seconds.
The tool runs slowly or will not operate.	There is grit or gum in the tool.	Flush the tool with air tool oil or gum solvent.
	The tool is out of oil.	Lubricate the tool according to the lubrication instructions in this manual.
	The air pressure is low.	▲ Adjust the regulator setting on the tool. ▲ Adjust the compressor regulator to the tool's maximum setting of 90psi.
	The air hose leaks.	▲ Check the fitting and connection; ▲ Check the air hose.
	The air pressure drops.	▲ Ensure the hose is the proper size. Long hoses or tools using large volumes of air may require a hose with an I.D. of 1/2" or larger depending on the total length of the hose. ▲ Do not use a multiple number of hoses connected together with a quick connect fitting. This causes additional pressure drops and reduces the tool power. Directly connect the hoses together.
	There is a worn rotor blade in the motor.	Replace the rotor blade.
There is a worn ball bearing in the motor.	Remove and inspect the bearing for rust, dirt, and grit. Replace or clean and grease the bearing with bearing grease.	

TROUBLESHOOTING

1/4"-20 Mini Angle Grinder

For Repair Parts, call 1-800-323-0620

45YY18



Parts List

Index No.	Part No.	Description
1.	2005.2	Housing
2.	6023	Trigger Spring
3.	3007	Trigger Stem
4.	4005	O-Ring
5.	3008	Trigger Body
6.	1110	Throttle Assembly
7.	5015	Rollpin
8.	3027	Hose Adapter
9.	7074	Exhaust Duct
10.	7073	Valve Plug
11.	4006	O-Ring
12.	6014	Motor Retaining Ring
13.	6004	Bearing
14.	7036	Rear End Plate
15.	4011	Rotor Vane (4)
16.	3012	Rotor
17.	7055	Cylinder
18.	3014	Rotor Spacer (when req'd)
19.	7035	Front End Plate
20.	6008.1	Bearing
21.	3140	Bevel Pinion
22.	3024	Retainer
23.	6016	Retaining Ring
24.	7021	Locknut
25.	5014	Rollpin (2)
26.	2012.1	Angle Head Housing
27.	6055	Grease Fitting
28.	6002	Bearing
29.	3141	Bevel Gear
30.	8015	Dust Shield
31.	6015	Bowed Snap Ring
32.	3063	Collet
33.	3066	Key
34.	7000	Guard Housing
35.	8011	Wrench (2) (not shown)
36.	4000	O-Ring
37.	3015	Spanner Nut

MAINTENANCE / REPAIR



1/4"-20 Mini Angle Grinder

SPEEDAIRE ONE-YEAR LIMITED WARRANTY

SPEEDAIRE ONE-YEAR LIMITED WARRANTY. All Speedaire® product models covered in this manual are warranted by Dayton Electric Mfg. Co. (Dayton) to the original user against defects in workmanship or materials under normal use for one year after date of purchase. If the Speedaire Product is part of a set, only the portion that is defective is subject to this warranty. Any product or part which is determined to be defective in material or workmanship and returned to an authorized service location, as Dayton or Dayton's designee designates, shipping costs prepaid, will be, as the exclusive remedy, repaired or replaced with a new or reconditioned product or part of equal utility or a full refund given, at Dayton's or Dayton's designee's option, at no charge. For limited warranty claim procedures, see "Warranty Service" below. This warranty is void if there is evidence of misuse, mis-repair, mis-installation, abuse or alteration. This warranty does not cover normal wear and tear of Speedaire Products or portions of them, or products or portions of them which are consumable in normal use. This limited warranty gives purchasers specific legal rights, and you may also have other rights which vary from jurisdiction to jurisdiction.

WARRANTY DISCLAIMERS AND LIMITATIONS OF LIABILITY RELATING TO ALL CUSTOMERS FOR ALL PRODUCTS

LIMITATION OF LIABILITY. TO THE EXTENT ALLOWABLE UNDER APPLICABLE LAW, DAYTON'S LIABILITY FOR CONSEQUENTIAL AND INCIDENTAL DAMAGES IS EXPRESSLY DISCLAIMED. DAYTON'S LIABILITY IN ALL EVENTS IS LIMITED TO AND SHALL NOT EXCEED THE PURCHASE PRICE PAID.

WARRANTY DISCLAIMER. A DILIGENT EFFORT HAS BEEN MADE TO PROVIDE PRODUCT INFORMATION AND ILLUSTRATE THE SPEEDAIRE PRODUCTS IN THIS LITERATURE ACCURATELY; HOWEVER, SUCH INFORMATION AND ILLUSTRATIONS ARE FOR THE SOLE PURPOSE OF IDENTIFICATION, AND DO NOT EXPRESS OR IMPLY A WARRANTY THAT THE SPEEDAIRE PRODUCTS ARE MERCHANTABILITY, OR FIT FOR A PARTICULAR PURPOSE, OR THAT THE SPEEDAIRE PRODUCTS WILL NECESSARILY CONFORM TO THE ILLUSTRATIONS OR DESCRIPTIONS. EXCEPT AS PROVIDED BELOW, NO WARRANTY OR AFFIRMATION OF FACT, EXPRESSED OR IMPLIED, OTHER THAN AS STATED IN THE "LIMITED WARRANTY" ABOVE IS MADE OR AUTHORIZED BY DAYTON.

PRODUCT SUITABILITY. MANY JURISDICTIONS HAVE CODES AND REGULATIONS GOVERNING SALES, CONSTRUCTION, INSTALLATION, AND/OR USE OF PRODUCTS FOR CERTAIN PURPOSES, WHICH MAY VARY FROM THOSE IN NEIGHBORING AREAS. WHILE ATTEMPTS ARE MADE TO ASSURE THAT SPEEDAIRE PRODUCTS COMPLY WITH SUCH CODES, DAYTON CANNOT GUARANTEE COMPLIANCE, AND CANNOT BE RESPONSIBLE FOR HOW THE PRODUCT IS INSTALLED OR USED. BEFORE PURCHASE AND USE OF A PRODUCT, REVIEW THE SAFETY/SPECIFICATIONS, AND ALL APPLICABLE NATIONAL AND LOCAL CODES AND REGULATIONS, AND BE SURE THAT THE SPEEDAIRE PRODUCT, INSTALLATION, AND USE WILL COMPLY WITH THEM.

CONSUMERS ONLY. CERTAIN ASPECTS OF DISCLAIMERS ARE NOT APPLICABLE TO CONSUMER PRODUCTS SOLD TO CONSUMERS; (A) SOME JURISDICTIONS DO NOT ALLOW THE EXCLUSION OR LIMITATION OF INCIDENTAL OR CONSEQUENTIAL DAMAGES, SO THE ABOVE LIMITATION OR EXCLUSION MAY NOT APPLY TO YOU; (B) ALSO, SOME JURISDICTIONS DO NOT ALLOW A LIMITATION ON HOW LONG AN IMPLIED WARRANTY LASTS, SO THE ABOVE LIMITATION MAY NOT APPLY TO YOU; AND (C) BY LAW, DURING THE PERIOD OF THIS LIMITED WARRANTY, ANY IMPLIED WARRANTIES OF MERCHANTABILITY OR FITNESS FOR A PARTICULAR PURPOSE APPLICABLE TO CONSUMER PRODUCTS PURCHASED BY CONSUMERS, MAY NOT BE EXCLUDED OR OTHERWISE DISCLAIMED.

THIS LIMITED WARRANTY ONLY APPLIES TO SPEEDAIRE PRODUCTS PURCHASED BY UNITED STATES PURCHASERS FOR DELIVERY IN THE UNITED STATES.

WARRANTY SERVICE

To obtain warranty service if you purchased the covered product directly from W.W. Grainger, Inc. (Grainger), (i) write or call or visit the local Grainger branch from which the product was purchased or another Grainger branch near you (see www.grainger.com for a listing of Grainger branches); or (ii) contact Grainger by going to www.grainger.com and clicking on the "Contact Us" link at the top of the page, then clicking on the "Email us" link; or (iii) call Customer Care (toll free) at 1-888-361-8649. To obtain warranty service if you purchased the covered product from another distributor or retailer, (i) go to www.grainger.com for Warranty Service; (ii) write or call or visit a Grainger branch near you; or (iii) call Customer Care (toll free) at 1-888-361-8649. In any case, you will need to provide, to the extent available, the purchase date, the original invoice number, the stock number, a description of the defect and anything else specified in this Speedaire One-Year Limited Warranty. You may be required to send the product in for inspection at your cost. You can follow up on the progress of inspections and corrections in the same ways. Title and risk of loss pass to buyer on delivery to common carrier, so if product was damaged in transit to you, file claim with carrier, not the retailer, Grainger or Dayton. For warranty information for purchasers and/or delivery outside the United States, please contact:

**Dayton Electric Mfg. Co.,
100 Grainger Parkway, Lake Forest, IL 60045 U.S.A.
or call +1-888-361-8649**



1/4"-20 Mini amoladora angular

GARANTÍA LIMITADA

LOS MODELOS DE LAS ARIADORAS DE BOQUILLA SPEEDAIRE®-CUBIERTO EN ESTE MANUAL ESTÁ GARANTIZADO POR DAYTON ELECTRIC MFG. CO. (DAYTON) AL USUARIO ORIGINAL CONTRA DEFECTOS DE FABRICACIÓN O MATERIALES BAJO USO NORMAL DURANTE UN AÑO A PARTIR DE LA FECHA DE COMPRA. CUALQUIER PARTE QUE SE DETERMINE DAÑADA EN CUANTO AL MATERIAL O LA MANO DE OBRA DEBE DEVOLVERSE A UN CENTRO DE SERVICIO AUTORIZADO, COMO LO DESIGNE DAYTON. LOS COSTOS DE ENVÍOS PREPAGADOS SERÁN EL REMEDIO EXCLUSIVO. SE REPARARÁ O REEMPLAZARÁ DE ACUERDO A LA DECISIÓN DE DAYTON. PARA CONOCER LOS PROCEDIMIENTOS DE SOLICITUD DE LA GARANTÍA LIMITADA, CONSULTE LA "DISPOSICIÓN PRONTA" PRESENTADA MÁS ADELANTE. ESTA GARANTÍA LIMITADA LES DA A LOS COMPRADORES DERECHOS LEGALES ESPECÍFICOS LOS CUALES VARÍAN SEGÚN LA JURISDICCIÓN.

LIMITACIÓN DE RESPONSABILIDAD. SEGÚN LO QUE PERMITA LA LEY VIGENTE, DAYTON RENUNCIA A CUALQUIER RESPONSABILIDAD POR DAÑOS INCIDENTALES O CONSECUENCIALES. LA RESPONSABILIDAD DE DAYTON EN TODOS LOS EVENTOS ESTÁ LIMITADA Y NO DEBE EXCEDER EL PRECIO DE COMPRA QUE SE HAYA PAGADO.

RENUNCIA DE GARANTÍA. SE HAN HECHO ESFUERZOS DILIGENTES PARA SUMINISTRAR INFORMACIÓN DEL PRODUCTO Y DESCRIBIR LOS PRODUCTOS EN ESTA LITERATURA DE FORMA PRECISA. SIN EMBARGO, DICHA INFORMACIÓN Y LAS ILUSTRACIONES SON SOLAMENTE PRODUCTOS EN ESTA LITERATURA DE FORMA PRECISA. SIN EMBARGO, DICHA INFORMACIÓN Y LAS ILUSTRACIONES SON SOLAMENTE CON EL PROPÓSITO DE IDENTIFICACIÓN Y NO EXPRESAN O IMPLICAN UNA GARANTÍA DE QUE LOS PRODUCTOS SON ESPECIALIZADOS O QUE SON IDÓNEOS PARA UN PROPÓSITO PARTICULAR O DE QUE LOS PRODUCTOS NECESARIAMENTE CORRESPONDERÁN CON LAS ILUSTRACIONES Y SUS DESCRIPCIONES, EXCEPTO POR LO EXPRESADO MÁS ADELANTE. NO HAY GARANTÍA O AFIRMACIÓN DE HECHO, DAYTON NO HACE O AUTORIZA NADA DIFERENTE A LO ESTABLECIDO EN LA "GARANTÍA LIMITADA" ANTERIOR.

Consejos y recomendaciones técnicas. Renuncia. A pesar de cualquier práctica pasada o negocios o costumbres comerciales, las ventas no incluirán el suministro de asesoría técnica o asistencia o diseño del sistema. Dayton no asume ninguna obligación o responsabilidad sobre cualquier recomendación, opinión o consejo no autorizado para escoger la instalación o uso de los productos.

Limitación del producto. Muchas jurisdicciones tienen reglas y códigos que rigen las ventas, construcción, instalación y uso de los productos para ciertos tipos de productos, los cuales pueden variar en las distintas áreas circunvecinas. A pesar de que se han hecho esfuerzos para garantizar que los productos de Dayton cumplan con dichas reglas, Dayton no puede garantizar idoneidad y no se hace responsable de como se instalará o usará el producto. Antes de comprar y usar el producto revise las aplicaciones del producto y todos los códigos y reglas nacionales aplicables y asegúrese de que la instalación del producto y el uso cumplan con ellos.

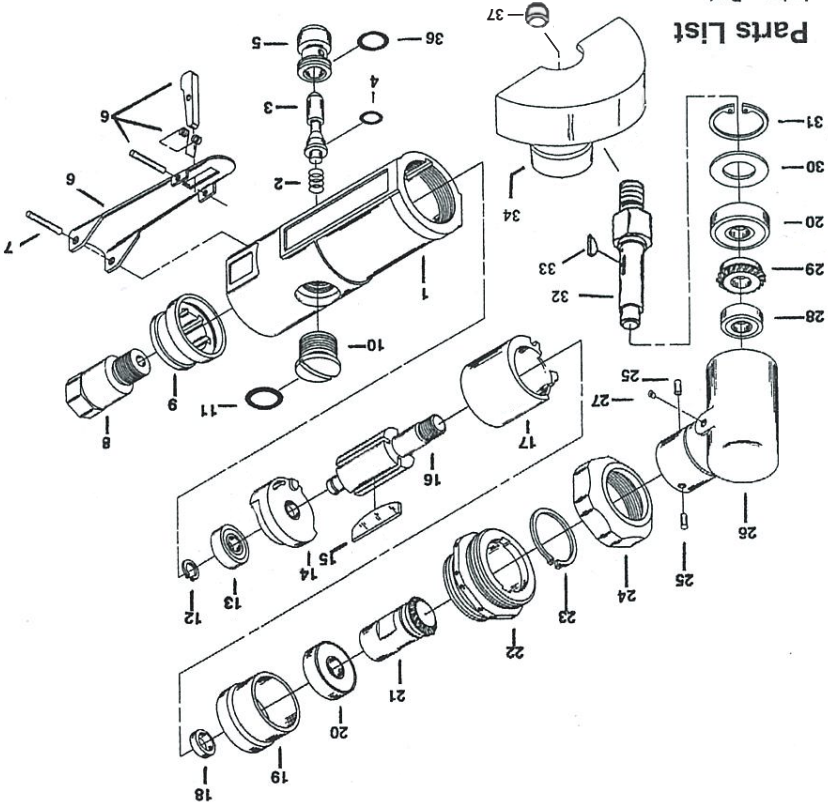
Cierto aspecto de la renuncia no son aplicables a los productos del consumidor, por ejemplo (a) algunas jurisdicciones no permiten la exclusión o limitación de datos incidentales o consecuenciales, de tal manera que la anterior limitación de exclusión puede que no sea aplicable a usted; (b) también, algunas jurisdicciones no permiten una limitación acerca de la duración de la garantía implícita, por lo tanto, la limitación anterior puede que no se aplique a usted y (c) de acuerdo a la ley, durante el periodo de esta garantía limitada, cualquier garantía implícita, de comerciabilidad implícita o adecuación para un propósito particular aplicable a productos del consumidor comprados por los consumidores, no se pueden excluir o renunciar de alguna forma.

Disposición pronta. Se hacen los esfuerzos de buena fe para hacer correcciones prontas u otros ajustes con respecto a cualquier producto que sea considerado defectuoso dentro de la garantía limitada. Para los productos que se consideran defectuosos dentro de la garantía limitada, primeramente escriba o llame al proveedor al cual le compró el producto. Los proveedores le darán instrucciones adicionales. Si no es posible solucionar su problema satisfactoriamente, póngase en contacto con Dayton en la dirección de abajo, especificando los datos del proveedor que incluyen, el nombre, dirección, fecha y número de factura, así como la descripción de la naturaleza del defecto. El título y riesgo de pérdida pasa al comprador durante la entrega a una empresa de transporte común. Si un producto se daña durante el transporte, usted debe hacer el reclamo al transportador.

Fabricado por Dayton Electric Mfg. Co., 100 Grainger Parkway, Lake Forest, Illinois 60045 EE.UU.

1/4"-20 Mini Amoladora angular

Para partes de repuesto, llame al 1-800-323-0620



Parts List

Index Part No.

22	3024
23	6016
24	7021
25	5014
26	2012,1
27	6055
28	6002
29	3141
30	8015
31	6015
32	3063
33	3066
34	7000
35	8011
36	4000
37	3015

1	2005,2
2	3007
3	4005
4	3008
5	1110
6	5015
7	3027
8	7074
9	7073
10	7073
11	4006
12	6014
13	6004
14	7036
15	4011
16	3012
17	7055
18	3014
19	7035
20	6008,1
21	3140

1/4"-20 amoladora angular



Identificación y solución de problemas

Problema	Causa posible	Solución
Hay cierta humedad que sale del tubo de escape de la herramienta.	Hay agua en el tanque.	Saque el agua del tanque. (Consulte el manual de instrucciones del compresor de aire). Lubrique la herramienta otra vez y déjela funcionando durante 1-2 segundos.
La herramienta funciona lentamente o no funciona.	Hay granalla o resina en la herramienta.	Lave la herramienta con aceite o solvente de resina para herramientas neumáticas.
Le falta aceite a la herramienta.	Lubrique la herramienta de acuerdo a las instrucciones de lubricación de este manual.	Lubrique la herramienta de acuerdo a las instrucciones de lubricación de este manual.
La presión de aire es baja.	<ul style="list-style-type: none"> ▲ Ajuste la configuración del regulador de la herramienta. ▲ Ajuste el regulador compresor con la especificación máxima de la herramienta de 90psi. 	<ul style="list-style-type: none"> ▲ Ajuste el regulador compresor con la especificación máxima de la herramienta de 90psi.
La manguera de aire tiene fugas.	<ul style="list-style-type: none"> ▲ Compruebe los accesorios y la conexión. ▲ Compruebe la manguera de aire. 	<ul style="list-style-type: none"> ▲ Compruebe los accesorios y la conexión. ▲ Compruebe la manguera de aire.
La presión de aire ha descendido.	<ul style="list-style-type: none"> ▲ Asegúrese de que la manguera tenga el tamaño apropiado. Las mangueras largas o las herramientas que usen grandes volúmenes de aire pueden necesitar mangueras con un I.D. de 1/2" o mayor, dependiendo de la longitud total de la manguera. ▲ No use varias mangueras conectadas juntas con un accesorio de conexión rápida. Esto causa que la presión adicional disminuya y reduce la potencia de la herramienta. Conecte directamente las mangueras. 	<ul style="list-style-type: none"> ▲ Asegúrese de que la manguera tenga el tamaño apropiado. Las mangueras largas o las herramientas que usen grandes volúmenes de aire pueden necesitar mangueras con un I.D. de 1/2" o mayor, dependiendo de la longitud total de la manguera. ▲ No use varias mangueras conectadas juntas con un accesorio de conexión rápida. Esto causa que la presión adicional disminuya y reduce la potencia de la herramienta. Conecte directamente las mangueras.
Hay una cuchilla desgastada del rotor en el motor.	Reemplace la cuchilla del rotor.	Reemplace la cuchilla del rotor.
Hay un cojinete de bola en el motor.	<ul style="list-style-type: none"> Quitte e inspeccione el cojinete para ver si hay óxido, mugre o gravilla. Reemplácelo o limpie el cojinete y aplique grasa apropiada para cojinetes. 	<ul style="list-style-type: none"> Quitte e inspeccione el cojinete para ver si hay óxido, mugre o gravilla. Reemplácelo o limpie el cojinete y aplique grasa apropiada para cojinetes.

IDENTIFICACION DE PROBLEMAS

1/4"-20 Mini amoladora angular



Sistema de tubería

Los conductos de aire principales deben ser lo suficientemente grandes para evitar pérdida de presión excesiva en condiciones de máximo flujo.

En las líneas de aire así como en los post-filtros, el agua se precipita naturalmente a medida que el aire se enfría. Por esta razón, los tubos se deben diseñar con un medio de drenaje o de recolección de esta agua antes de que alcance las salidas de las mangueras.

Se aconseja dar paso a la red en las direcciones del flujo de aire, de tal manera que tanto la gravedad como el flujo del aire conduzcan el agua hacia los colectores o conductos de agua utilizados a intervalos frecuentes. El uso de conexiones libres, de válvulas y mangueras, deben ser lo suficientemente inclinadas de retorno de gran radio.

Las conexiones de la línea de aire requerida por la herramienta o grandes para pasar la cantidad máxima de aire requerida por la herramienta o herramientas de la línea. Esto es particularmente importante si se usan los colectores, de los cuales dependen varias líneas de mangueras.

Sin embargo, los colectores que se drenarán en los acortamientos pueden regularmente y se mantengan en buena condición de trabajo.



Reguladores de aire

El aire limpio, seco y lubricado con la presión apropiada, es el requisito más importante para el funcionamiento correcto de las herramientas neumáticas. Las herramientas Speedaire® están diseñadas para funcionar a 90 PSI, a menos que se indique algo diferente.

Instalación

En instalaciones donde el sistema de tubería no suministre aire limpio y seco, se recomienda el uso de filtros en los puntos de conexión de las mangueras. Un buen filtro, mantenido drenado apropiadamente eliminará casi todo el agua que entre mientras que uno en condiciones deficientes es prácticamente inoperante. La mayoría de los filtros no tienen capacidad de almacenamiento de agua adecuada y a menos que se suministre un receptor de almacenamiento auxiliar o un purificador automática, dejará de funcionar pronto.

Funcionamiento

1. Suministra a la herramienta aire seco y limpio con una presión de 90 PSI. Una presión mayor reduce drásticamente la duración de la herramienta. Conecte la herramienta a la línea de aire usando tamaños de tubos y mangueras adecuados. No instale un acortador rápido directamente en el manubrio del acelerador de la amoladora.
 2. Use solamente nuevas instalaciones o accesorios de amonificación de neumáticos con la velocidad adecuada y el diámetro del eje correcto. La velocidad nominal de los accesorios de la amoladora debe ser igual o superior a la velocidad de la amoladora de boquilla.

Eliminación de la humedad

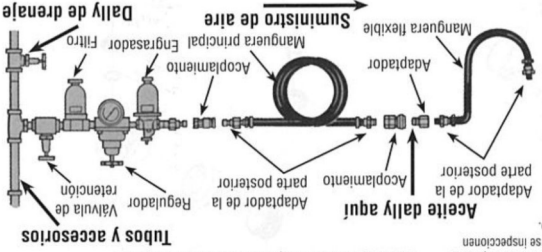
La cantidad de humedad que tiene el aire comprimido varía a medida que la temperatura del aire disminuye después de la compresión. A medida que la temperatura disminuye el agua se precipita. Con el fin de eliminar la mayor cantidad de agua posible, los compresores deben tener, enfriadores intermedios, posenfriadores y receptores de tamaño completo. Estos se deben mantener drenados y en buena condición de trabajo.

Conducto de entrada del compresor

Localice el conducto de entrada para obtener el aire más frío, más seco y más limpio disponible. El conducto de entrada debe ser lo más amplio y directo posible. Evite los tubos de vapor, escape de vapor y polvo o lugares húmedos (como techos cercanos, suelos, etc. ...). Cuando sea práctico, saque el aire de la parte norte del edificio. Suministre cribado y protección apropiados. Se deben usar filtros de entrada de tamaños apropiados.

Lubricación

Use lubricante de línea de aire con aceite para herramientas neumáticas Mobil Almo 525 (modelo 4ZF22), ajustado a (2) gotas por minuto. Si no se puede encontrar lubricante de línea de aire, agregue aceite para motor de aire al conducto de entrada una vez al día.



Tubos y accesorios

Al instalar colectores, debe inspeccionarse rápidamente la operación o fugas. Usualmente se suministran para este propósito válvulas de tres vías o válvulas de parada o desperdigado. Para evitar que la humedad condensada llegue hasta las herramientas, los tubos inferiores o las conexiones de mangueras nunca se deben tomar directamente desde la base de los tubos de aire o redes. Las conexiones se deben hacer en la parte superior de la red y se debe usar una inclinación de retorno de gran radio. Las conexiones libres, de válvulas y mangueras, deben ser lo suficientemente grandes para pasar la cantidad máxima de aire requerida por la herramienta o herramientas de la línea. Esto es particularmente importante si se usan los colectores, de los cuales dependen varias líneas de mangueras.

MONTAJE /
INSTALACION

SPEEDAIRE®

1/4"-20 Mini Amoladora angular

⚠ ADVERTENCIA

Siempre use, inspeccione y haga mantenimiento a esta herramienta, de acuerdo con las normas de seguridad del Instituto Nacional Estadounidense de Normas (American National Standards Institute, ANSI)(ANSI B186.1) para herramientas neumáticas portátiles y cualquier otras normas y regulaciones de seguridad aplicables.

Siempre use protección facial y ocular resistente a impactos cuando use o le haga mantenimiento a esta herramienta.

El empleador o las regulaciones de OSHA recomiendan usar protección auditiva. Siempre use protección auditiva cuando utilice esta herramienta. Los niveles de ruido alto pueden causar pérdida auditiva.

SEGURIDAD / ESPECIFICACIONES

Desempaque

Cuando desempaque la unidad, cuidadosamente busque cualquier daño que haya ocurrido durante el transporte. Busque partes caídas, sueltas o que

hagan falta.

1. Para obtener información de seguridad

bracos. Si se presenta entumecimiento, hormigueo o hinchamiento de la piel. Deje de usar la

máquina y consulte a un médico.

Evite inhalar polvo o los residuos que se generan

en el proceso de trabajo porque pueden afectar su

salud. Use equipo de extracción de polvo y de

protección respiratoria cuando trabaje con

materiales que produzcan partículas transportadas

por el aire.

Esta herramienta no se ha certificado para usarla

en atmósferas explosivas y no está aislada para el

contacto con fuentes de alimentación eléctrica.

El polvo y los gases que se generan del lijado o

esmerillado pueden ocasionar entornos

explosivos potenciales.

Use el sistema de extracción o supresión que sea

adecuado para el material que se está procesando.

Asmerillados, perforaciones y otras actividades de

construcción, contienen químicos que el estado de

California ha considerado como causantes del

cáncer, malformaciones congénitas y otras

acciones reproductivas.

Algunos ejemplos de estos químicos son:

- Ladrillos de sílice cristalino y cemento y otros

productos de albañilería.

- Arsénico y como de gomas tratadas

químicamente.

El riesgo a estas exposiciones varía según la

frecuencia con la cual realice este tipo de

trabajos. Para reducir su exposición a estos

químicos: Trabaje en un área bien ventilada y

con el equipo de seguridad apropiado, como

máscaras anti polvo, las cuales están

diseñadas especialmente para filtrar las

partículas microscópicas.

Solamente para uso profesional.

3. Peligros de accesorios

Los desajustes/rotaciones/tales son las

causas principales de lesiones graves o incluso la

morte. Tenga cuidado de no dejar mangueras

superficies de trabajo o de desplazamiento.

Los niveles de ruido alto pueden causar pérdida

auditiva. Use protección auditiva, de acuerdo a lo

recomendado por su empleador o las regulaciones

de OSHA (consulte 29 CFR parte 1910).

Parte del polvo creado por lijado, aserrado, esmerillado,

perforaciones y otras actividades de construcción,

contienen químicos considerados como causantes

del cáncer. Algunos ejemplos de estos químicos son:

- Plomo de pinturas a base de plomo

- Ladrillos de sílice cristalino y cemento y otros productos de albañilería.

- Arsénico y como de materias tratadas químicamente.

El riesgo a estas exposiciones varía según la frecuencia con la cual realice este tipo de trabajos. Para reducir su exposición a estos químicos:

Trabaje en un área bien ventilada y con el equipo de seguridad apropiado, como máscaras anti polvo, las cuales están diseñadas especialmente para filtrar

las partículas microscópicas.





1/4"-20 Mini amoladora angular 45YY18

Manual de instrucción

OPERAR INSTRUCCIONES

1. LEER ESTE MANUAL COMPLETAMENTE ANTES DE OPERAR ESTA AMOLADORA NEUMÁTICA.
2. ANTES DE INSTALAR LOS ACCESORIOS Y antes de usar esta herramienta neumática, revise de la velocidad de giro en vacío usando una presión de aire útil de 6,2 bar (90 psi). La velocidad de giro normal a esta presión es de 12,000 rpm. Verifique esta velocidad cada cierto tiempo.
3. SIEMPRE USE PROTECCION PARA LOS OJOS. También use mascarar con filtro anll polvo.
4. PROTEJASE CONTRA EL RUIDO. Los niveles de ruido dependen de los materiales amolados. Use protección auditiva.
5. USE GUANTES Y ROPA DE PROTECCION PERSONAL para prevenir posibles lesiones causadas por fragmentos sueltos, mal funcionamiento de accesorios o materiales mal fijados.
6. NUNCA USE ESTA AMOLADORA NEUMÁTICA A PRESIONES DE SUMINISTRO DE AIRE QUE EXCEDAN 6,2 bar (90 psi). ESTA HERRAMIENTA NO CUENTA CON REGULADOR INTERNO DE VELOCIDAD Y ESTA FUNCION AUMENTA PROPORCIONALMENTE CON PRESIONES DE AIRE SOBRE 6,2 bar (90 psi). Regule el aire suministrado con un regulador de presión neumático. Revise la presión de aire a la entrada de la herramienta mientras esta funcione en vacío.
7. USE SOLO ACCESORIOS con velocidades de giro admisibles IGUALES o MAYORES a las indicadas para esta amoladora. LA VELOCIDAD DE GIRO EN VACIO A 6,2 bar (90 psi) DE ESTA HERRAMIENTA son 12,000 rpm.
8. DESCONECTE LA HERRAMIENTA DE LA TOMA DE AIRE ANTES DE REVISAR O CAMBIAR ACCESORIOS. No realice mantenimiento a la herramienta mientras esté conectada a la toma de aire.
9. SI OCURRE ALGUN CAMBIO INESPERADO en cómo se siente la vibración o el sonido de la amoladora, APAGUE LA HERRAMIENTA INMEDIATAMENTE y revise la cabeza de amolar por algún daño. No use útiles dañados, desgastados o fisurados, puas de los cepillos de alambre flojas o rotas, etc.
10. UTILIZE LA HERRAMIENTA EN FORMA SEGURA. No transporte la herramienta con un dedo sobre o cerca del mando mientras la misma esté conectada a la toma de aire. No transporte la amoladora por la manguera de la toma de aire. Proteja la manguera de aire contra daños causados por calor o cortadura.
11. CUANDO ESTÉ FUERA DE USO, DESCONECTE DE LA TOMA DE AIRE para prevenir accidentes o uso accidental.
12. MANTENGA ALEJADOS DE SU PUESTO DE TRABAJO A ESPECTADORES Y VISITANTES y fuera del área de posible contacto.

Modelos	Velocidad libbre (RPM)	Diámetro de la rueda	Potencia en caballos de fuerza (HP)	Conducto de entrada de aire (NPT)	Dimensiones de la manguerante (pulgadas)	Tamaño del orificio de mandril	PCM promedio @ 15 segundos operar	Longitud (pulgadas)	Peso (Lbs)
45YY18	12,000	2 1/2"	0.4	1/4"	3/8"	3/8"	3	6	1.6

MANTENIMIENTO /
REPARACION

IDENTIFICACION
DE PROBLEMAS

MONTAJE /
INSTALACION

SEGURIDAD /
ESPECIFICACIONES

PARA COMENZAR
OPERACION

SPEEDWARE®

POR FAVOR, LEA Y GUARDE ESTAS INSTRUCCIONES. LEALAS CUIDADOSAMENTE ANTES DE TRATAR DE MONTAR, INSTALAR, OPERAR O DAR MANTENIMIENTO AL PRODUCTO AQUI DESCRITO.

PROTEJASE USTED MISMO Y A LOS DEMAS OBSERVANDO TODA LA INFORMACION DE SEGURIDAD. ¡EL NO CUMPLIR CON LAS INSTRUCCIONES PUEDE OCASIONAR DAÑOS, TANTO PERSONALES COMO A LA PROPIEDAD! GUARDE ESTAS INSTRUCCIONES PARA REFERENCIA EN EL FUTURO.

CONSULTE LA CUBIERTA POSTERIOR PARA VER LA INFORMACION DE GARANTIA DE DAYTON Y OTRA INFORMACION IMPORTANTE.

Num. de Modelo: _____

Num. de Serie: _____

Fecha de Compra: _____

SPEEDAIR®

®

1/4"-20 MINI AMOLADORA ANGULAR

Modelo 45YY18

