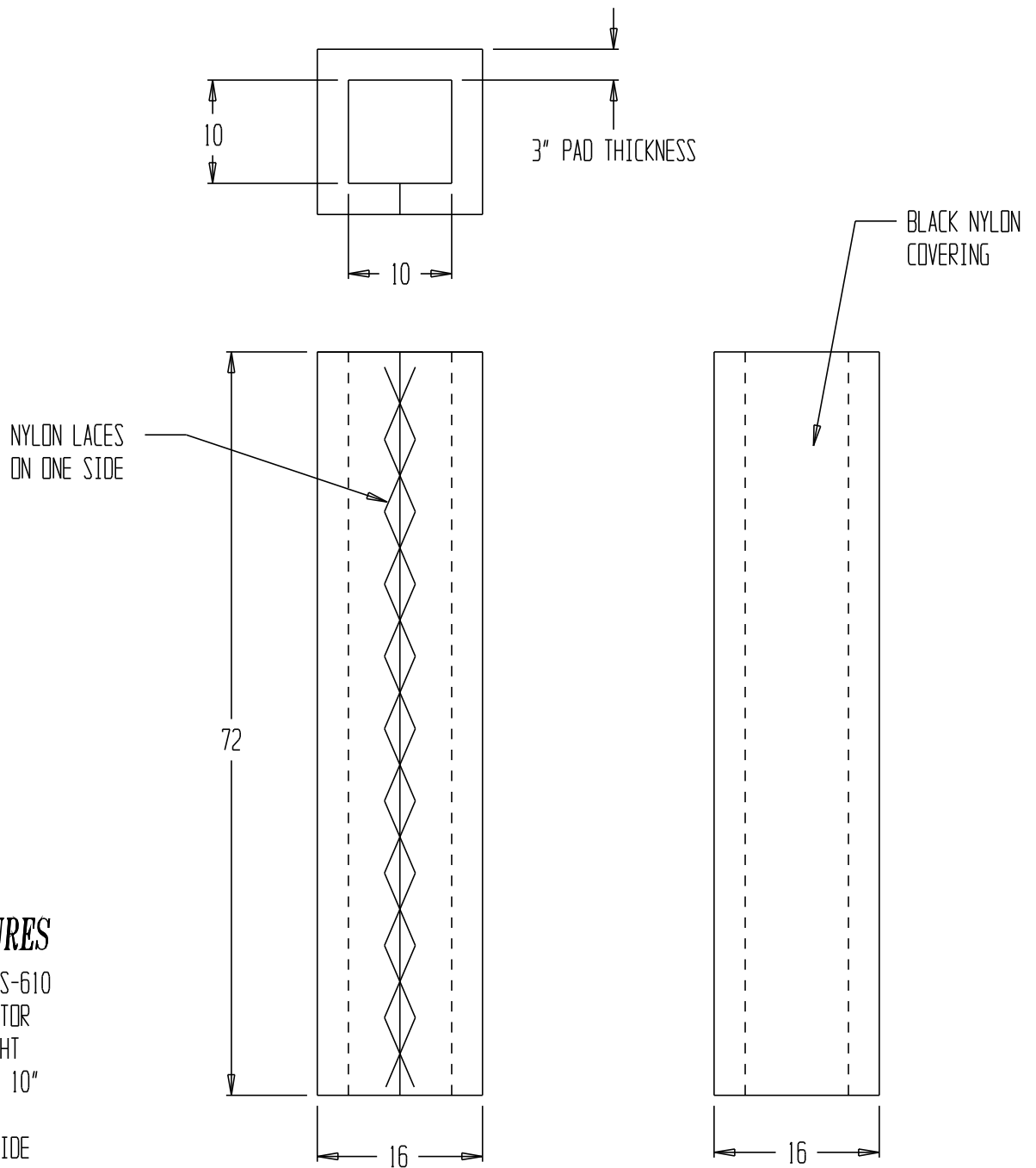


STRUCTURAL COLUMN PAD - V-PAD-S-610



STANDARD FEATURES

MODEL NUMBER: V-PAD-S-610
 SQUARE COLUMN PROTECTOR
 72" OVERALL PAD HEIGHT
 COLUMN SIZE IS 10" x 10"
 ONE PIECE DESIGN
 NYLON LACES ON ONE SIDE
 3" PAD THICKNESS
 BLACK NYLON COVERING

SPECIAL FEATURES

-

Any additions, deletions or omissions must be corrected on this drawing, as this drawing will be considered all inclusive.

All graphics provided are for reference only. If certain dimensions are critical please verify those dimensions with your salesperson

**A
P
P
R
O
V
A
L**

I, THE UNDERSIGNED, AGREE THAT THE PRODUCT AS REPRESENTED SATISFIES DESIGN & DIMENSION REQUIREMENTS. I ALSO ACKNOWLEDGE MY DUTY TO CONFIRM PRODUCT & INSTALLATION COMPLIANCE WITH ALL APPLICABLE FEDERAL, STATE AND LOCAL REGULATIONS & STANDARDS.

ALL SPECIAL UNITS ARE NON-RETURNABLE

[] As drawn [] As marked

Signed: _____ Date: _____

LEAD TIME WILL START UPON RECEIPT OF SIGNED APPROVAL DRAWING

DISTRIBUTOR'S NAME: -		P.O.#: _
		W.O.#: _
DRAWN BY: BB	DATE: 2/25/14	SALES: _
REFERENCE: -	SCALE: 1:16	DRWG./FILE NAME:
QUOTED LEADTIME: _	QUOTE #: _	V-PAD-S-610