

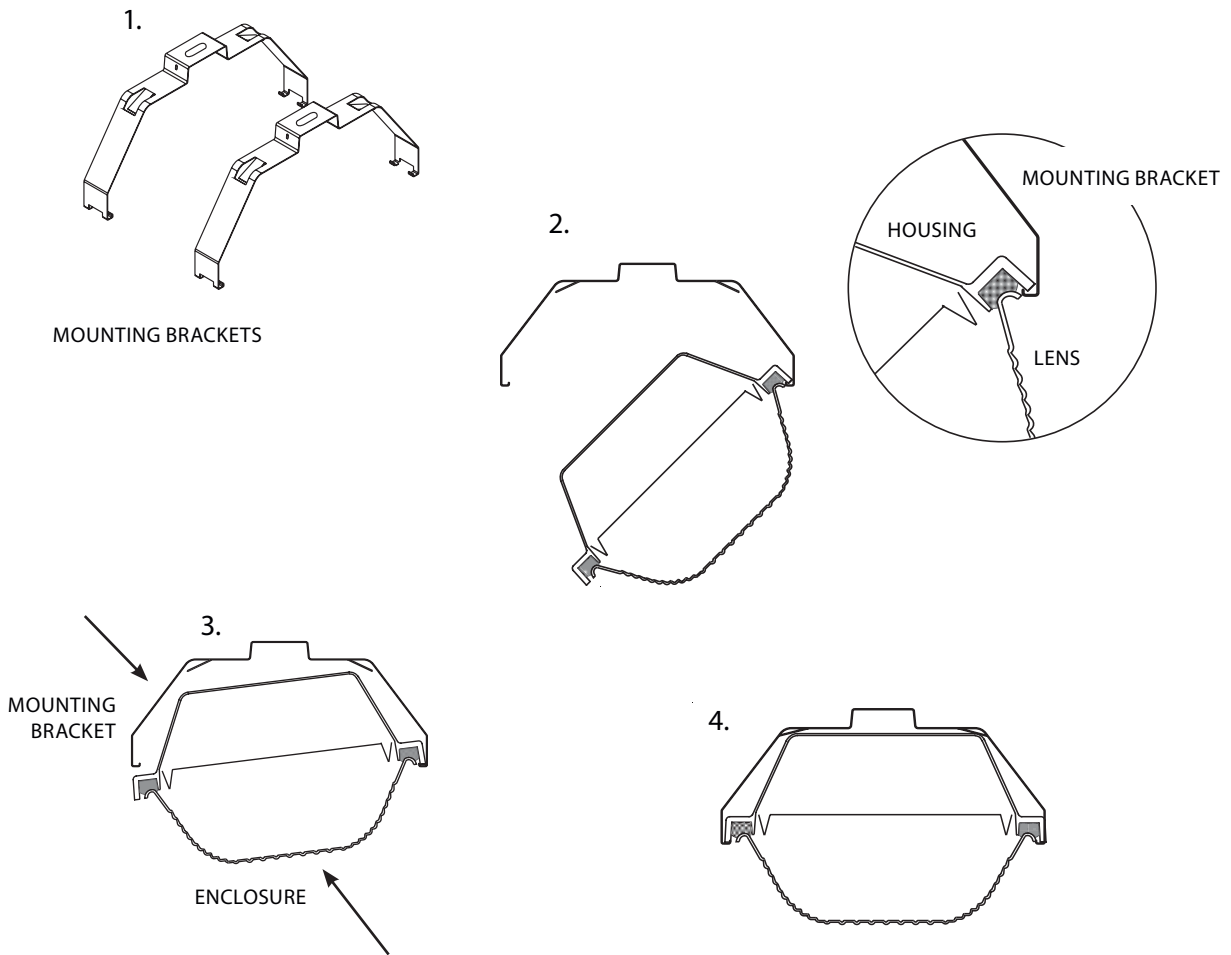
LXEM, LXEP, HEM, XEM INSTALLATION: SURFACE MOUNT BRACKETS

Columbia Lighting products are intended solely for installation by licensed electricians.

LINE DRAWING

TYPICAL. DOES NOT REPRESENT ALL POSSIBLE PRODUCT CONFIGURATIONS.

Information shown applies to LXEM, LXEP and HEM LED products and XEM fluorescent products.



1. Securely attach mounting brackets (2) to mounting surface. The enclosure will engage the mounting brackets at any point along its length, except for where there are latches. It is recommended that the dimension between brackets equal about 60% of the enclosure's length.
2. Insert one side of the housing into the mounting brackets.
3. Push up on the enclosure and then press in on the mounting bracket until the mounting bracket clicks into place.
4. Verify that the enclosure is fully supported before connecting to a power supply.

Note: Use flexible conduit only

Above depiction is for typical use only and may not represent exact housing or bracket styles in field. Subject to change without notice. All products must be installed in accordance with state, local, and national codes; code compliance is by others.

LXEM, XEM INSTALLATION: PENDANT MOUNT, CHAIN HANGER

Columbia Lighting products are intended solely for installation by licensed electricians.

LINE DRAWING

TYPICAL. DOES NOT REPRESENT ALL POSSIBLE PRODUCT CONFIGURATIONS.

Information shown applies to LXEM, and LXEP LED products and XEM fluorescent products.

XEDPM Dual Pendant Bracket Option (pendant by others)

Order as an option by placing XEDPM at the end of the XEM, LXEM or LXEP catalog number.

Option consists of two pendant brackets shipped with fixture. Note center hole in bracket (Figure A) at bracket center is shaped to allow interface with 3/8" OD threaded rod (by others). For example of installed threaded rod, see Figure B. XEDPM brackets must be ordered as an option and are not provided standard. Standard surface mount bracket will not accept pendant mounting.

XEHC Chain Hanger Kit Accessory

Order as an accessory on a separate line item of the purchase order.

Kit consists of (2) 14" chain lengths and (2) open based triangular bails. Chain is threaded onto bail. Bail is then placed into holes provided in mounting bracket (see Figure C for example). XEHC Chain Hanger is not provided standard. It must be ordered as an accessory. XEHC will interface with both the standard surface mount bracket and the XEDPM dual pendant mount bracket.

FIGURE A: XEDPM DUAL PENDANT MOUNT BRACKET

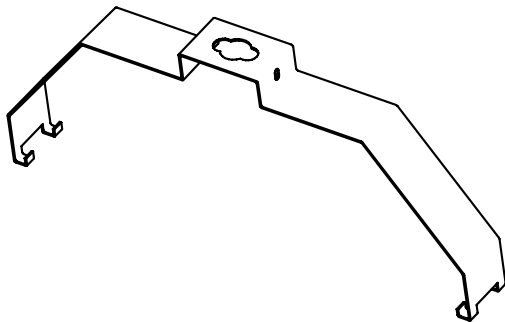


FIGURE B: XEDPM BRACKET INSTALLED WITH 3/8" OD ROD AND ROD RETENTION BY OTHERS

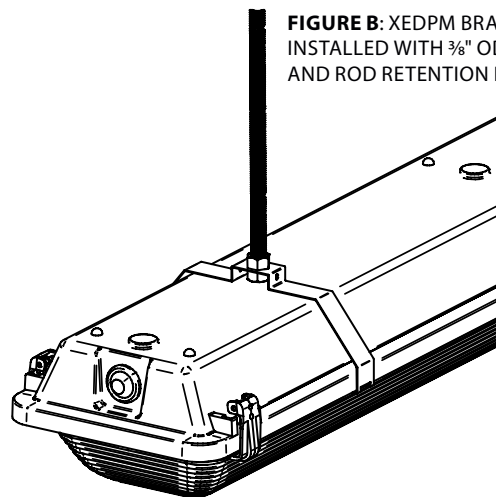
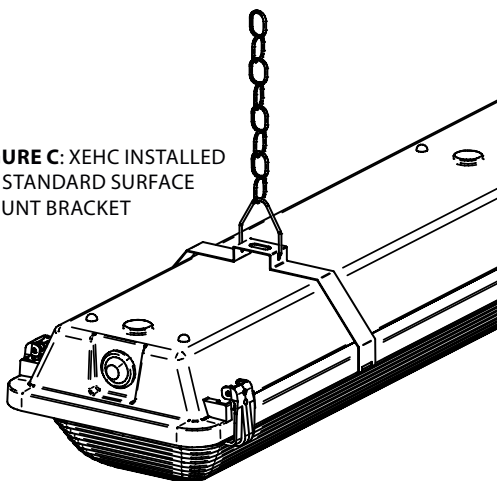


FIGURE C: XEHC INSTALLED ON STANDARD SURFACE MOUNT BRACKET



LXEM, LXEP, XEM INSTALLATION: MOUNTING BRACKETS

Columbia Lighting products are intended solely for installation by licensed electricians.

XE45MB 45° Mounting Bracket

Kit consists of (2) mounting brackets. Must be ordered as an accessory. Used in place of the standard surface mount clips which ship with all XE family products. For 8' products four brackets (two kits) are recommended.

XE45MBSS 45° Stainless Steel Mounting Bracket

Kit consists of (2) stainless steel angled mounting brackets. Must be ordered as an accessory. Used in place of the standard surface mount clips which ship with all XE family products. For 8' products four brackets (two kits) are recommended.

STEP 1. Mount angle bracket to structure

STEP 2. Clip top portion of bracket to housing.

Note: This mounting method does not require the use of surface mount clips shipped with the XE family; discard surface mount clips.



STEP 3. Push housing up and back to clip lower section of bracket firmly into place. Verify secure engagement and adjust as necessary.



SUGGESTED MOUNTING POINT LOCATIONS

Luminaire Length	# of Kits Required	Dimension, Center to Center Bracket Position	Dimension, Center of Bracket to End of Housing
2'	1	7"	7"
4'	1	19"	7"
8'	2	20" (first set) / 43" (second set)	7"