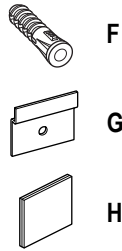
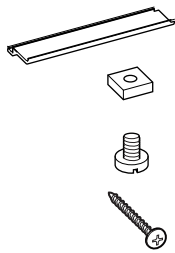
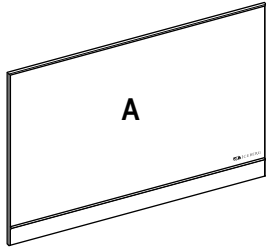




Polarity

Magnetic Dry Erase Board

31240 / 31250 / 31260 / 31280



- A Dry Erase Board (1X)
- B Eraser Tray (1X)
- C Tray Nut (in bottom track - 2X)
- D Tray Screw (2X)
- E Screws (2X)
- F Anchors (2X)
- G Mounting Z-Bracket (2X)
- H Adhesive Pad (2X)



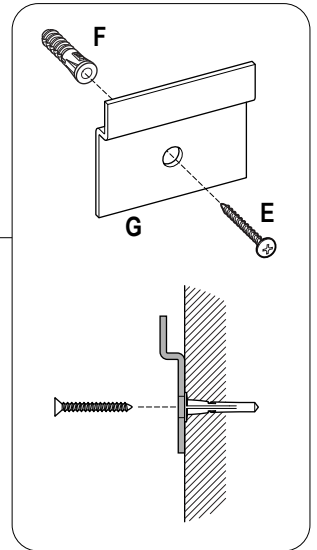
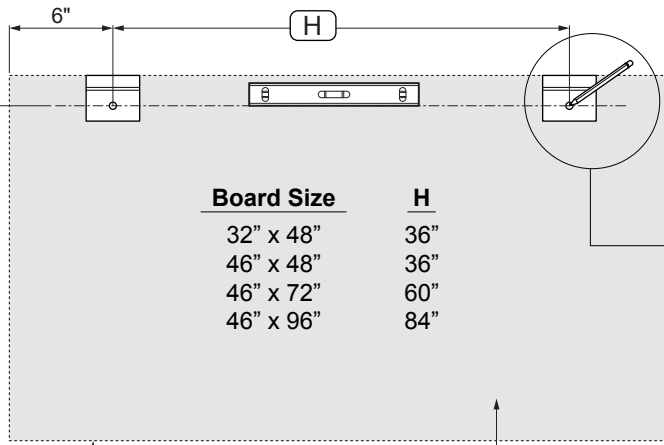
1 Decide where board will be placed, and carefully measure the location for the **Mounting Brackets** (2X).

Secure Z-Brackets with wall anchors provided.

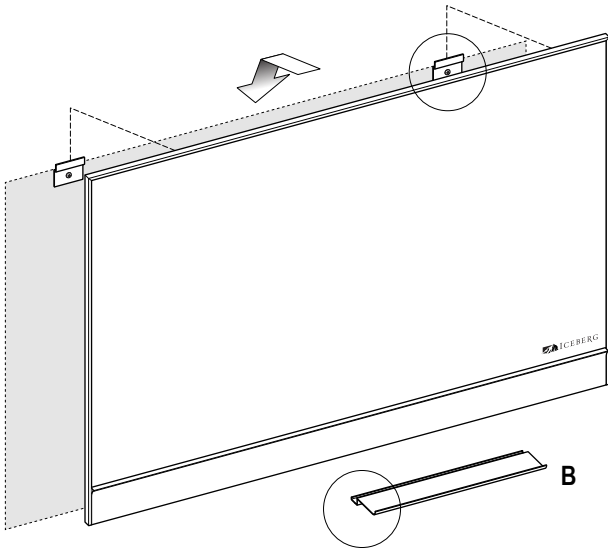
81" Height from floor (Except 32x48 Board)

36" Height from floor recommended

Board location

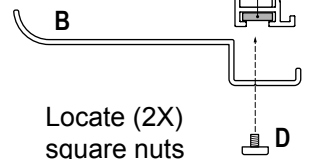
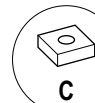


2 Elevate board at **30° angle** and hook back frame channel into secured mounted **Z-Brackets**. Check that board is secure in place before releasing.



Angle to secure or remove board

Place **Adhesive Pad** in bottom corners (2x)



Locate (2X) square nuts with screws to mount **Tray**