



SPEEDWARE



Air Ratchet Wrench

Model 45NW46



SPEEDARTE

**PLEASE READ AND SAVE
THESE INSTRUCTIONS.
READ CAREFULLY
BEFORE ATTEMPTING
TO ASSEMBLE, INSTALL,
OPERATE OR MAINTAIN THE
PRODUCT DESCRIBED.**

**PROTECT YOURSELF AND
OTHERS BY OBSERVING ALL
SAFETY INFORMATION. FAILURE
TO COMPLY WITH INSTRUCTIONS
COULD RESULT IN PERSONAL
INJURY AND/OR PROPERTY
DAMAGE! RETAIN INSTRUCTIONS
FOR FUTURE REFERENCE.**

**PLEASE REFER TO BACK COVER
FOR INFORMATION REGARDING
DAYTON'S WARRANTY AND OTHER
IMPORTANT INFORMATION.**

Model #: _____

Serial #: _____

Purch. Date: _____

BEFORE YOU BEGIN

Pre-Operation

- Before connecting the tool to the air supply, clean the air hose of accumulated dust and moisture. Before removing a tool for service or changing accessories, be sure the air line is shut off and drained of air. This will prevent the tool from operating if the throttle is accidentally engaged.

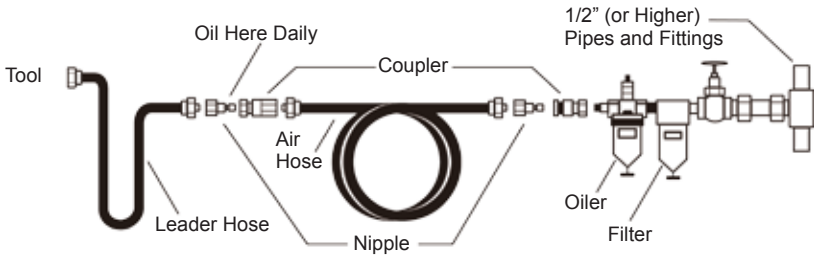


Figure 1

- Tool air inlet is 1/4" NPT threaded. Suitable couplers (not included) may be used.

UNPACKING



Contents:

- Air Ratchet Wrench



Inspect:

- When unpacking the unit, carefully look for any damage that may have occurred during transit. Check for loose, missing or damaged parts.



- See **General Safety Instructions on page 2**, and **Cautions and Warnings** as shown.



GENERAL SAFETY INSTRUCTIONS

For Additional Safety Information Consult:

- Your employer, union, and/or trade association. US Department of Labor(OSHA); www.osha.gov. "Safety Code For Portable Air Tools" (B186.1) available from: www.ansi.org.

Entanglement Hazards

- Keep away from rotating drive. Do not wear jewelry or loose clothing. Choking can occur if neckwear is not kept away from the tool and accessories.
- Scalping can occur if hair is not kept away from the tool and accessories. Avoid direct contact with accessories during use.
- Use only proper accessories designed for use with pneumatic screwdrivers, nutrunners, ratchets, and pulse tools.

Projectile Hazards

- Always wear impact-resistant eye protection when involved with or near the operation, repair or maintenance of the tool or changing accessories on the tool.
- Be sure all others in the area are wearing impact-resistant eye protection. Even small projectiles can cause eye injuries and blindness.
- Do not use hand sockets as they can shatter. Use only impact sockets in good condition.
- Always use the simplest hook-up possible. Long, springy extension bars and adapters absorb power and could break.
- Never operate the tool off of the work. It may run too fast and cause the accessory to be thrown off the tool.
- Serious injury can result from over torqued or under-torqued fasteners, which can break, or loosen and separate. Released assemblies can become dangerous projectiles.
- Assemblies requiring a specific torque must be checked using a torque wrench.

NOTE: Using a "Click" torque wrench does not check for potentially dangerous over-torqued conditions.

GENERAL SAFETY INSTRUCTIONS (CONTINUED)

Workplace Hazards

- Slip/Trip/Fall is a major cause of serious injury or death. Beware of excess hose left on the walking of work surface.
- High sound levels can cause permanent hearing loss. Use hearing protection as recommended by your employer or OSHA regulation (see 29 CFR part 1910).
- Maintain a balanced body position and secure footing.
- Repetitive work motions, awkward positions and exposure to vibration can be harmful to hands and arms. If numbness, tingling, pain or whitening of the skin occurs, stop using tool and consult a physician. Always support the tool's handle securely, in the direction opposite of the spindle rotation, to reduce the effect of sudden torque reaction during final tightening and initial loosening.
- An additional support handle or absorption bar may be needed to resist torque reaction. Absorption bars must be positioned correctly to avoid injury.
- Proceed with caution in unfamiliar surroundings. Be aware of potential hazards created by your work activity. Some dust created by power sanding, sawing, grinding, drilling and other construction activities contain chemicals known to the State of California to cause cancer and birth defects or other reproductive harm. Some examples of these chemicals are:
 - Lead from lead based paints
 - Crystalline silica bricks and cement and other masonry products
 - And Arsenic and chromium from chemically-treated rubber.
 - Your risk from these exposures varies, depending on how often perform this type of work. To reduce your exposure to these chemicals: work in a well ventilated area, and work with approved safety equipment, such as dust masks that are specially designed to filter out microscopic particles.

Additional Safety Topics

- The workpiece must be held securely. This tool and its accessories must not be modified.
- This tool is not insulated for coming into contact with electric power sources and is not recommended for use in explosive atmospheres.
- Operators and maintenance personal must be physically able to handle the bulk, weight and power of the tool and be capable of performing the job task. For professional use only.

SPEEDAIRE®

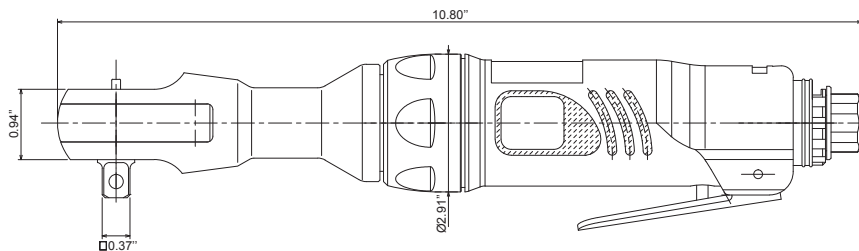
SPECIFICATIONS

45NW46

Average CFM @ 15 Second Run Time	5.7
Max. Torque	110 ft lbs.
Torque Range	10 to 90 ft lbs.
Free Speed	180 RPM
Required Pressure	90 PSI
Square Drive Size	3/8"
Air Inlet	1/4" NPT
Min. Hose Size	3/8"

DIMENSIONS

Length	10.63"
Weight	2.75 lb.
Head Height	1.64"
Head Width	1-5/8"



INSTALLATION

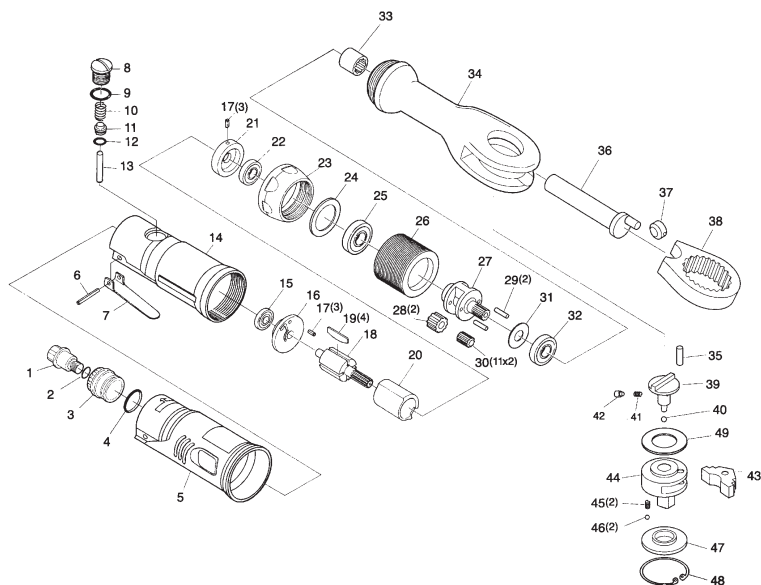
- Designed to operate on 90 PSI, lower pressure (below 90 PSI) will lower performance of the tool while air pressure over 90 PSI raise the performance of the tool beyond its rated capacity and could cause serious damage to tool and injury to user.
- Always use clean dry air. Excessive moisture and dirt will greatly reduce the life of any air motor. The installation of an in-line filter regulator-lubricator positioned as close to the tool as possible is recommended.

OPERATING INSTRUCTIONS

- Supply tool with 90 PSI of clean, dry air. Higher pressure drastically reduces tool life. Connect tool to air line using pipe, hose, and fitting sizes shown in Figure 1.

Air Supply and Connection Hazards

- Air under pressure can cause severe injury.
- Always shut off air supply, drain hose of air pressure and disconnect tool from air supply when not in use, before changing accessories or when making repairs. Never direct air at yourself or anyone else.
- Whipping hoses can cause serious injury. Always check for damaged or loose hoses and fittings.
- Whenever universal twist couplings are used, lock pins must be installed. Do not exceed maximum air pressure of 90 PSI or as stated on tool nameplate.
- To change rotation direction, twist reverse button on head of air ratchet.
- To adjust torque output, turn the built in air regulator in accordance with the diagram on the tool.

REPAIR PARTS ILLUSTRATION FOR 45NW46**Lubrication**

Use an air line lubricator with Mobil Almo 525 air tool oil (model 4ZF22), adjusted to two (2) drops per minute. If an air line lubricator cannot be used, add air motor oil to the inlet once a day.

**For Repair Parts, call 1-800-Grainger
24 hours a day – 365 days a year**

Please provide following information:

- Model number
- Serial number (if any)
- Part description and number as shown in parts list

REPAIR PARTS LIST FOR 45NW46

Ref. No.	Description	Part Number:	Qty.
1	Swivel Inlet Bushing	1130-01	1
2	O Ring	P-10	1
3	Exhaust Sleeve	1130-03	1
4	O Ring	S-22.4	1
5	Housing Cover	1130-05	1
6	Spring Pin	SP3X28	1
7	Throttle Lever	1130-07	1
8	Valve Screw	1130-08	1
9	Valve Screw O Ring	1130-09	1
10	Throttle Valve Spring	1130-10	1
11	Throttle Valve	1130-11	1
12	Throttle Valve O Ring	P-4	1
13	Throttle Plunger	1130-13	1
14	Motor Housing	1130-14	1
15	Ball Bearing	696ZZ	1
16	Rear End Plate	1130-16	1
17	Spring Pin	SP2.5X5	3
18	Rotor	1130-18	1
19	Rotor Blade	1130-19	4
20	Cylinder	1130-20	1
21	Front End Plate	1130-21	1
22	Ball Bearing	608ZZ	6
23	Clamp Nut	1130-23	1
24	Washer	1130-24	1
25	Ball Bearing	6001ZZ	1
26	Internal Gear	1130-26	1
27	Planet Cage	1130-27	1
28	Planet Gear	1130-28	2
29	Planet Pin	1130-29	2
30	Needle Roller	1130-30	11X2
31	Washer	1130-31	1
32	Ball Bearing	608ZZ	2
33	Needle Bearing	1130-33	1
34	Ratchet Housing	1130-34	1
35	Dowel Pin	1130-35	1
36	Crank Shaft	1130-36	2
37	Drive Bushing	1130-37	1
38	Yoke	1130-38	1
39	Reverse Button 3/8"	1130-39	4
40	Steel Ball	1130-40	1



REPAIR PARTS LIST FOR 45NW46 (CONTINUED)

Ref. No.	Description	Part Number:	Qty.
41	Ratchet Spring	1130-41	1
42	Lock Pin	1130-42	1
43	Ratchet Pawl	1130-43	1
44	Anvil 3/8"	1130-44	
45	Spring	1130-45	2
46	Steel Ball	1130-46	2
47	Thrust Washer 3/8"	1130-47	1
48	Retaining Ring	1130-48	1
49	Spacer	1130-49	

GETTING STARTED

SAFETY / SPECIFICATIONS

ASSEMBLY / INSTALLATION

OPERATION

TROUBLESHOOTING

MAINTENANCE / REPAIR

SPEEDAIRE ONE-YEAR LIMITED WARRANTY

SPEEDAIRE ONE-YEAR LIMITED WARRANTY. All Speedaire® product models covered in this manual are warranted by Dayton Electric Mfg. Co. ("Dayton") to the original user against defects in workmanship or materials under normal use for one year after date of purchase. If the Speedaire Product is part of a set, only the portion that is defective is subject to this warranty. Any product or part which is determined to be defective in material or workmanship and returned to an authorized service location, as Dayton or Dayton's designee designates, shipping costs prepaid, will be, as the exclusive remedy, repaired or replaced with a new or reconditioned product or part of equal utility or a full refund given, at Dayton's or Dayton's designee's option, at no charge. For limited warranty claim procedures, see "Warranty Service" below. This warranty is void if there is evidence of misuse, mis-repair, mis-installation, abuse or alteration. This warranty does not cover normal wear and tear of Speedaire Products or portions of them, or products or portions of them which are consumable in normal use. This limited warranty gives purchasers specific legal rights, and you may also have other rights which vary from jurisdiction to jurisdiction.

WARRANTY DISCLAIMERS AND LIMITATIONS OF LIABILITY RELATING TO ALL CUSTOMERS FOR ALL PRODUCTS

LIMITATION OF LIABILITY. TO THE EXTENT ALLOWABLE UNDER APPLICABLE LAW, DAYTON'S LIABILITY FOR CONSEQUENTIAL AND INCIDENTAL DAMAGES IS EXPRESSLY DISCLAIMED. DAYTON'S LIABILITY IN ALL EVENTS IS LIMITED TO AND SHALL NOT EXCEED THE PURCHASE PRICE PAID.

WARRANTY DISCLAIMER. A DILIGENT EFFORT HAS BEEN MADE TO PROVIDE PRODUCT INFORMATION AND ILLUSTRATE THE SPEEDAIRE PRODUCTS IN THIS LITERATURE ACCURATELY; HOWEVER, SUCH INFORMATION AND ILLUSTRATIONS ARE FOR THE SOLE PURPOSE OF IDENTIFICATION, AND DO NOT EXPRESS OR IMPLY A WARRANTY THAT THE SPEEDAIRE PRODUCTS ARE MERCHANTABILITY, OR FIT FOR A PARTICULAR PURPOSE, OR THAT THE SPEEDAIRE PRODUCTS WILL NECESSARILY CONFORM TO THE ILLUSTRATIONS OR DESCRIPTIONS. EXCEPT AS PROVIDED BELOW, NO WARRANTY OR AFFIRMATION OF FACT, EXPRESSED OR IMPLIED, OTHER THAN AS STATED IN THE "LIMITED WARRANTY" ABOVE IS MADE OR AUTHORIZED BY DAYTON.

PRODUCT SUITABILITY. MANY JURISDICTIONS HAVE CODES AND REGULATIONS GOVERNING SALES, CONSTRUCTION, INSTALLATION, AND/OR USE OF PRODUCTS FOR CERTAIN PURPOSES, WHICH MAY VARY FROM THOSE IN NEIGHBORING AREAS. WHILE ATTEMPTS ARE MADE TO ASSURE THAT SPEEDAIRE PRODUCTS COMPLY WITH SUCH CODES, DAYTON CANNOT GUARANTEE COMPLIANCE, AND CANNOT BE RESPONSIBLE FOR HOW THE PRODUCT IS INSTALLED OR USED. BEFORE PURCHASE AND USE OF A PRODUCT, REVIEW THE SAFETY/SPECIFICATIONS, AND ALL APPLICABLE NATIONAL AND LOCAL CODES AND REGULATIONS, AND BE SURE THAT THE SPEEDAIRE PRODUCT, INSTALLATION, AND USE WILL COMPLY WITH THEM.

CONSUMERS ONLY. CERTAIN ASPECTS OF DISCLAIMERS ARE NOT APPLICABLE TO CONSUMER PRODUCTS SOLD TO CONSUMERS; (A) SOME JURISDICTIONS DO NOT ALLOW THE EXCLUSION OR LIMITATION OF INCIDENTAL OR CONSEQUENTIAL DAMAGES, SO THE ABOVE LIMITATION OR EXCLUSION MAY NOT APPLY TO YOU; (B) ALSO, SOME JURISDICTIONS DO NOT ALLOW A LIMITATION ON HOW LONG AN IMPLIED WARRANTY LASTS, SO THE ABOVE LIMITATION MAY NOT APPLY TO YOU; AND (C) BY LAW, DURING THE PERIOD OF THIS LIMITED WARRANTY, ANY IMPLIED WARRANTIES OF MERCHANTABILITY OR FITNESS FOR A PARTICULAR PURPOSE APPLICABLE TO CONSUMER PRODUCTS PURCHASED BY CONSUMERS, MAY NOT BE EXCLUDED OR OTHERWISE DISCLAIMED.

THIS LIMITED WARRANTY ONLY APPLIES TO SPEEDAIRE PRODUCTS PURCHASED BY UNITED STATES PURCHASERS FOR DELIVERY IN THE UNITED STATES.

WARRANTY SERVICE

To obtain warranty service if you purchased the covered product directly from W.W. Grainger, Inc. ("Grainger"), (i) write or call or visit the local Grainger branch from which the product was purchased or another Grainger branch near you (see www.grainger.com for a listing of Grainger branches); or (ii) contact Grainger by going to www.grainger.com and clicking on the "Contact Us" link at the top of the page, then clicking on the "Email us" link; or (iii) call Customer Care (toll free) at 1-888-361-8649. To obtain warranty service if you purchased the covered product from another distributor or retailer, (i) go to www.grainger.com for Warranty Service; (ii) write or call or visit a Grainger branch near you; or (iii) call Customer Care (toll free) at 1-888-361-8649. In any case, you will need to provide, to the extent available, the purchase date, the original invoice number, the stock number, a description of the defect and anything else specified in this Speedaire One-Year Limited Warranty. You may be required to send the product in for inspection at your cost. You can follow up on the progress of inspections and corrections in the same ways. Title and risk of loss pass to buyer on delivery to common carrier, so if product was damaged in transit to you, file claim with carrier, not the retailer, Grainger or Dayton. For warranty information for purchasers and/or delivery outside the United States, please contact:

**Dayton Electric Mfg. Co.,
100 Grainger Parkway, Lake Forest, IL 60045 U.S.A.
or call +1-888-361-8649**



SPEEDAR®



Llave de Matraca Neumatica

Modelos 45NW46



SPEEDARF

**POR FAVOR, LEA Y GUARDE
ESTAS INSTRUCCIONES. LEALAS
CUIDADOSAMENTE ANTES DE
TRATAR DE MONTAR, INSTALAR,
OPERAR O DAR MANTENIMIENTO
AL PRODUCTO AQUI DESCRITO.**

**PROTEJASE USTED MISMO Y
A LOS DEMAS OBSERVANDO
TODA LA INFORMACION DE
SEGURIDAD. ¡EL NO CUMPLIR
CON LAS INSTRUCCIONES
PUEDE OCASIONAR DAÑOS,
TANTO PERSONALES COMO
A LA PROPIEDAD! GUARDE
ESTAS INSTRUCCIONES PARA
REFERENCIA EN EL FUTURO.**

**CONSULTE LA CUBIERTA
POSTERIOR PARA VER
LA INFORMACION DE
GARANTIA DE DAYTON Y OTRA
INFORMACION IMPORTANTE.**

Núm. de Modelo: _____

Núm. de Serie: _____

Fecha de Compra: _____

*Formulario 5SXXXX / Impreso en XXXX
XXXXX Versión XX XX/XXXX*

© 2013 Dayton Electric Manufacturing Co.
Reservados todos los derechos

ANTES DE COMENZAR

Antes del Uso

- Antes de que la herramienta se conecte con el abastecimiento de aire, limpie el polvo y la humedad que se han acumulado en la manguera de aire. Antes de desconectar una herramienta para darle servicio o para cambiar accesorios asegúrese que la tubería de aire esté apagada y sin aire. Esto evitará que la herramienta opere si el mando se engancha por accidente.

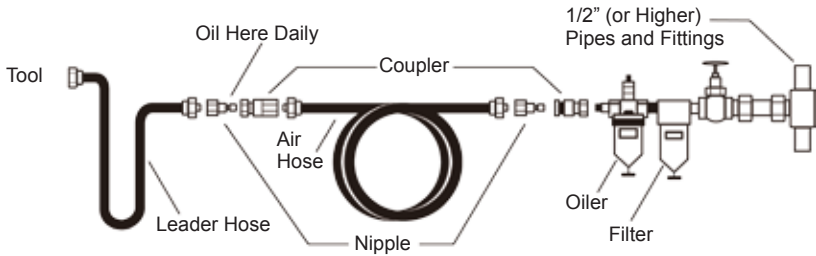


Figure 1

- Entrada de aire herramienta es 1/4" NPT roscado. Acopladores adecuados (no incluidos) pueden ser usados.

DESEMPAQUE



Contenido:

- Llave de Matraca Neumatica



Inspeccionar:

- Cuando desempaque la unidad, verifique cuidadosamente si han ocurrido daños durante el envío. Revise si hay partes que faltan, que están sueltas o que están dañadas.



- **Ver Instrucciones de Seguridad General en la página 2, Precauciones y Advertencias Como se muestra.**

INFORMACIÓN DE SEGURIDAD GENERAL

Para Más Información De Seguridad, Consulte

- A su empresa, sindicato, asociación de empleados, etc. Ministerio de trabajo (OSHA); www.osha.gov. "Safety Code For Portable Air Tools" (B186.1) available from: www.ansi.org.

Peligros De Enredo

- No se acerque a la cabeza giradora mientras rota.
- No lleve joyas ni ropas colgadas. Mantenga cualquier tipo de collar alejado de la herramienta, corre riesgo de decapitación."
- No acerque el cabello a la herramienta o sus accesorios, corre el riesgo de perder un mechón o parte del cuero cabelludo. Evite el contacto directo con los accesorios durante su uso."
- Utilice exclusivamente accesorios diseñados específicamente para estos equipos neumáticos y herramienta vibratoria.

Peligros De Proyectoil

- Utilice siempre protección facial y ocular resistente a impactos si trabaja con la herramienta, cerca de ella, en su reparación o mantenimiento o en el cambio de accesorios.
- Asegúrese que todas las personas cercanas a la herramienta llevan protección facial y ocular resistente a impactos.
- Incluso los proyectiles de tamaño reducido pueden dañar el ojo y producir ceguera. No emplee clavijas manuales, que pueden romperse.
- Emplee exclusivamente clavijas para equipos neumáticos o de impacto en buenas condiciones.
- Utilice siempre el acoplamiento más sencillo posible. Las barras de extensión y los adaptors de gran longitud y elasticidad acumulan energía y pueden sufrir rupturas.
- Siempre que sea posible utilice un casquillo profundo.
- Es posible que se acelere y que el accesorio salga despedido de la herramienta. Los sujetadores demasiado apretados o no apretados lo suficiente pueden romperse o soltarse y separarse, pudiendo producir lesiones graves.
- Los conjuntos sueltos pueden transformarse en proyectiles. Los conjuntos que requieren una torsión específica deben revisarse con un medidor de torsión.

NOTA: Las supuestas llaves de torsión de "Chasquido" no detectan las condiciones de apriete excesivo, las cuales son potencialmente peligrosas.

Riesgos En El Lugar De Trabajo

- Los resbalones, caídas y tropiezos son uno de los principales motivos de accidentes laborales graves y muertes.
- Tenga mucho cuidado de no tender excesivas mangueras de aire en la superficie de trabajo o en lugares de paso. Los sonidos a gran volumen pueden producir pérdidas permanentes de capacidad auditiva.
- Utilice las protecciones sonoras que recomiende su empresa o por la regulación de OSHA (consulte 29 CFR sección 1910).

INFORMACIÓN DE SEGURIDAD GENERAL (CONTINUADO)

- Mantenga una posición corporal equilibrada y asiente firmemente los pies en el suelo.

Riesgos En El Lugar De Trabajo

- Los movimientos repetitivos, las posturas forzadas y la exposición a vibraciones pueden ser perjudiciales para las manos y los brazos. En caso de pérdida de sensibilidad, hormigueo, dolores o palidez de la piel, deje de utilizar la herramienta y consulte con un médico.
- Siempre sostenga la agarradera del equipo firmemente, en la dirección de la aguja, para reducir el efecto de una reacción sorpresiva durante el ajuste final y desajuste inicial.
- Puede necesitar un asa o una barra de absorción adicionales para resistir la reacción de torsión. Las barras de absorción han de colocarse en la posición correcta para evitar riesgos."
- Tenga sumo cuidado en entornos que no conozca. Siempre debe ser consciente de los riesgos potenciales que se crean con su actividad laboral.
- Las operaciones de lijar, aserruchar, esmerilar, taladrar y otras actividades de construcción producen polvo que podría contener productos químicos que se ha demostrado en el Estado de California que causan cáncer, defectos de nacimiento u otros daños reproductivos. Algunos ejemplos de estos productos químicos son los siguientes:
 - Plomo de las pinturas con base de plomo
 - Cemento y ladrillos de sílice cristalina y otros productos de mampostería
 - Arsenico y cromo del caucho sometido a tratamiento químico.
- El riesgo de exposición varía de acuerdo con la frecuencia que usted realice este tipo de trabajo.
- Para reducir su exposición a estos productos químicos: trabaje en una área bien ventilada y con equipo de seguridad apropiado, tal como máscaras contra el polvo especialmente diseñadas para filtrar las partículas microscópicas.

Cuestiones Adicionales De Seguridad

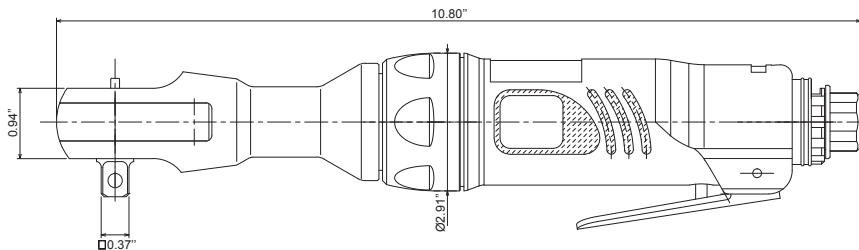
- El material de trabajo ha de estar firmemente seguro.
- Esta herramienta y sus accesorios no deben modificarse.
- Esta herramienta no dispone de aislamiento para entrar en contacto con las fuentes de corriente eléctrica y no se recomienda su uso en ambientes explosivos.
- Los usuarios y el personal de mantenimiento han de poder manejar físicamente el bulto y el peso del equipo, así como estar capacitados para efectuar el trabajo requerido.
- Sólo para uso profesional.

ESPECIFICACIONES**45NW46**

Average CFM @ 15 Second Run Time	5.7
Max. Torque	110 ft lbs.
Torque Range	10 to 90 ft lbs.
Free Speed	180 RPM
Required Pressure	90 PSI
Square Drive Size	3/8"
Air Inlet	1/4" NPT
Min. Hose Size	3/8"

DIMENSIONS

Length	10.63"
Weight	2.75 lb.
Head Height	1.64"
Head Width	1-5/8"



INSTALACION

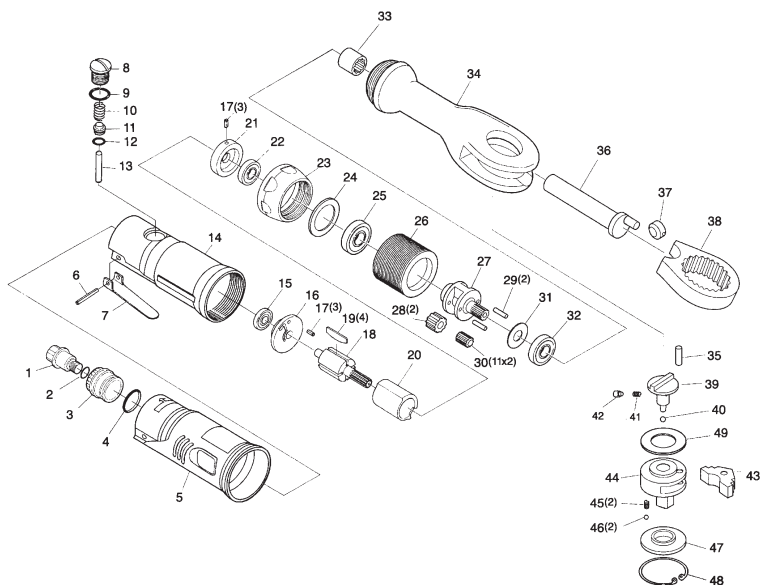
- La herramienta ha sido diseñada para operar a 620 kPa, por lo tanto, la presión más baja (por debajo de 620 kPa) reducirá su rendimiento y la presión de aire más alta (sobre 620 kPa) aumentará el rendimiento de la herramienta por sobre su capacidad nominal, lo que podría dañarla gravemente o lesionar al usuario.
- Siempre use aire limpio y seco. La humedad excesiva y la mugre reducen considerablemente la duración de cualquier motor de aire. Recomendamos la instalación en línea de un filtro-regulador-lubricador, tan cerca de la herramienta como sea posible.

OPERACION

- Aplique a la herramienta 6,3 kg/cm² (6,2 bares) de aire limpio y seco. Una presión alta reduce la vida útil de la herramienta. Conecte la herramienta en la línea de aire usando el tubo y la manguera; encaje las piezas según los tamaños indicados en Figure 2.

Riesgos De Suministro De Aire Y Conexiones

- El aire a presión puede producir daños importantes.
- Cuando no utilice la herramienta, cuando vaya a cambiar algún accesorio o vaya a efectuar reparaciones, cierre siempre el suministro de aire, cierre la manguera de drenaje de presión de aire y desconecte la herramienta.
- No dirija nunca el chorro de aire hacia usted o ningún otro.
- La manguera de conexión puede ser muy peligrosa, verifique siempre la manguera y sus conexiones.
- Cuando emplee acoplamientos universales por torcedura, debe instalar clavijas de cierre.
- Nunca supere la presión máxima de aire (620 kPa o según indique la placa de la herramienta).

ILUSTRACION DE LAS PARTES DE REPARACION PARA LOS MODELOS 45NW46**Lubricación**

Emplee un lubricante de línea de aire con aceite para herramientas neumáticas Mobil Almo 525 (modelo 4ZF22), ajustado a dos (2) gotas por minuto. Si no se puede utilizar un lubricante de línea de aire, aplique aceite para motor neumático al orificio de entrada una vez al día.

**Para Obtener Partes de Reparación
en México llame al 001-800-527-2331
en EE.UU. llame al 1-800-Grainger**

24 horas al día, 365 días al año

Por favor proporcione la siguiente información:

- Número de modelo
- Número de serie (si lo tiene)
- Descripción de la parte y número que le corresponde en la lista de partes

LISTA DE PARTES DE REPARACION PARA LOS MODELOS 45NW46

No. de Ref.	Descripción	Número de Parte:	Cant.
1	Swivel Inlet Bushing	1130-01	1
2	O Ring	P-10	1
3	Exhaust Sleeve	1130-03	1
4	O Ring	S-22.4	1
5	Housing Cover	1130-05	1
6	Spring Pin	SP3X28	1
7	Throttle Lever	1130-07	1
8	Valve Screw	1130-08	1
9	Valve Screw O Ring	1130-09	1
10	Throttle Valve Spring	1130-10	1
11	Throttle Valve	1130-11	1
12	Throttle Valve O Ring	P-4	1
13	Throttle Plunger	1130-13	1
14	Motor Housing	1130-14	1
15	Ball Bearing	696ZZ	1
16	Rear End Plate	1130-16	1
17	Spring Pin	SP2.5X5	3
18	Rotor	1130-18	1
19	Rotor Blade	1130-19	4
20	Cylinder	1130-20	1
21	Front End Plate	1130-21	1
22	Ball Bearing	608ZZ	6
23	Clamp Nut	1130-23	1
24	Washer	1130-24	1
25	Ball Bearing	6001ZZ	1
26	Internal Gear	1130-26	1
27	Planet Cage	1130-27	1
28	Planet Gear	1130-28	2
29	Planet Pin	1130-29	2
30	Needle Roller	1130-30	11X2
31	Washer	1130-31	1
32	Ball Bearing	608ZZ	2
33	Needle Bearing	1130-33	1
34	Ratchet Housing	1130-34	1
35	Dowel Pin	1130-35	1
36	Crank Shaft	1130-36	2
37	Drive Bushing	1130-37	1
38	Yoke	1130-38	1
39	Reverse Button 3/8"	1130-39	4
40	Steel Ball	1130-40	1

PARA COMENZAR

SEGURIDAD /
ESPECIFICACIONESMONTAJE /
INSTALACION

OPERACION

IDENTIFICACION
DE PROBLEMASMANTENIMIENTO /
REPARACION



LISTA DE PARTES DE REPARACION PARA LOS MODELOS 45NW46 (CONTINUADO)

No. de Ref.	Descripción	Número de Parte:	Cant.
41	Ratchet Spring	1130-41	1
42	Lock Pin	1130-42	1
43	Ratchet Pawl	1130-43	1
44	Anvil 3/8"	1130-44	
45	Spring	1130-45	2
46	Steel Ball	1130-46	2
47	Thrust Washer 3/8"	1130-47	1
48	Retaining Ring	1130-48	1
49	Spacer	1130-49	

GARANTIA LIMITADA DE SPEEDAIRE POR UN AÑO

GARANTIA LIMITADA DE SPEEDAIRE POR UN AÑO. Dayton Electric Mfg. Co. ("Dayton") le garantiza al usuario original que todos los modelos de los productos Speedaire® tratados en este manual están libres de defectos en la mano de obra o el material, cuando se les somete a uso normal, por un año a partir de la fecha de compra. Si el producto Speedaire es parte de un juego, sólo la parte defectuosa está sujeta a esta garantía. Cualquier producto o parte que se halle defectuoso, ya sea en el material o en la mano de obra, y sea devuelto (con los costos de envío pagados por adelantado) a un centro de servicio autorizado designado por Dayton o por una entidad designada por Dayton, será reparado o reemplazado (no existe otra posibilidad) por un producto o parte nuevo o reacondicionado de igual uso o se le reembolsará el costo total, según lo determine Dayton o una entidad designada por Dayton, libre de costo. Para obtener información sobre los procedimientos de reclamo cubiertos en la garantía limitada, vea la sección "Servicio de Garantía" que aparece más adelante. Se anulará esta garantía si se detecta evidencia de mal uso, reparación defectuosa, instalación defectuosa, abuso o modificación. Esta garantía no cubre desgaste y ruptura normal de los productos Speedaire o parte de los mismos, o productos o partes de los mismos que se pueden utilizar durante uso normal. Esta garantía limitada les otorga a los compradores derechos legales específicos y también puede usted tener otros derechos que varíen de jurisdicción a jurisdicción.

EXCLUSIÓN DE RESPONSABILIDAD DE LA GARANTÍA Y LÍMITES DE RESPONSABILIDAD RELACIONADOS A TODOS LOS CLIENTES PARA TODOS LOS PRODUCTOS

LÍMITES DE RESPONSABILIDAD. EN LA MEDIDA EN QUE LAS LEYES APLICABLES LO PERMITAN, LA RESPONSABILIDAD DE DAYTON POR LOS DAÑOS EMERGENTES O INCIDENTALES ESTA EXPRESAMENTE EXCLUIDA. LA RESPONSABILIDAD DE DAYTON EXPRESAMENTE ESTA LIMITADA Y NO PUEDE EXCEDER EL PRECIO DE COMPRA PAGADO POR EL ARTICULO.

EXCLUSIÓN DE RESPONSABILIDAD DE LA GARANTÍA. SE HA HECHO UN ESFUERZO DILIGENTE PARA PROPORCIONAR INFORMACION E ILUSTRACIONES APROPIADAS SOBRE LOS PRODUCTOS SPEEDAIRE EN ESTE MANUAL; SIN EMBARGO, ESTA INFORMACION Y LAS ILUSTRACIONES TIENEN COMO UNICO PROPOSITO LA IDENTIFICACION DE LOS PRODUCTOS Y NO EXPRESAN NI IMPLICAN GARANTIA DE QUE LOS PRODUCTOS SPEEDAIRE SEAN VENDIBLES O ADECUADOS PARA UN PROPOSITO EN PARTICULAR NI QUE SE AJUSTAN NECESARIAMENTE A LAS ILUSTRACIONES O DESCRIPCIONES. CON EXCEPCION DE LO QUE SE ESTABLECE A CONTINUACION, DAYTON NO HACE NI AUTORIZA NINGUNA GARANTIA O AFIRMACION DE HECHO, EXPRESA O IMPLICITA, QUE NO SEA ESTIPULADA EN LA "GARANTIA LIMITADA" ANTERIOR.

ADAPTACION DEL PRODUCTO. MUCHAS JURISDICCIONES TIENEN CODIGOS O REGULACIONES SOBRE LA VENTA, EL DISEÑO, LA INSTALACION Y/O EL USO DE PRODUCTOS PARA CIERTAS APLICACIONES; DICHAS LEYES PUEDEN VARIAR DE UN AREA A OTRA. SI BIEN SE TRATA DE QUE LOS PRODUCTOS SPEEDAIRE CUMPLAN CON DICHOS CODIGOS, NO SE PUEDE GARANTIZAR SU CONFORMIDAD Y NO SE PUEDE HACER RESPONSABLE POR LA FORMA EN QUE SE INSTALE O USE SU PRODUCTO. ANTES DE COMPRAR Y USAR EL PRODUCTO, REVISE LA INFORMACION DE SEGURIDAD/ESPECIFICACIONES, Y TODOS LOS CODIGOS Y REGULACIONES NACIONALES Y LOCALES APLICABLES, Y ASEGURESE QUE LOS PRODUCTOS SPEEDAIRE, LA INSTALACION Y EL USO LOS CUMPLAN.

CONSUMIDOR SOLAMENTE. CIERTOS ASPECTOS DE LIMITE DE RESPONSABILIDAD NO SE APLICAN A PRODUCTOS AL CONSUMIDOR; ES DECIR (A) ALGUNAS JURISDICCIONES NO PERMITEN LA EXCLUSIÓN NI LIMITACIÓN DE DAÑOS INCIDENTALES O CONSECUENTES, DE MODO QUE LAS LIMITACIONES O EXCLUSIONES ANTERIORES QUIZAS NO APLIQUEN EN SU CASO; (B) ASIMISMO, ALGUNAS JURISDICCIONES NO PERMITEN LIMITAR EL PLAZO DE UNA GARANTIA IMPLICITA, POR LO TANTO, LA LIMITACION ANTERIOR QUIZAS NO APLIQUE EN SU CASO; Y (C) POR LEY, MIENTRAS LA GARANTIA LIMITADA ESTE VIGENTE NO PODRAN EXCLUIRSE NI LIMITARSE EN MODO ALGUNO NINGUNA GARANTIA IMPLICITA DE COMERCIALIZACION O DE IDONEIDAD PARA UN PROPOSITO EN PARTICULAR APLICABLES A LOS PRODUCTOS AL CONSUMIDOR ADQUIRIDOS POR ESTE.

ESTA GARANTIA LIMITADA APLICA UNICAMENTE A LOS PRODUCTOS SPEEDAIRE COMPRADOS POR COMPRADORES EN LOS ESTADOS UNIDOS PARA ENTREGA EN LOS ESTADOS UNIDOS.

SERVICIO DE GARANTIA

Para obtener un servicio de garantía si compró un producto cubierto directamente de W.W. Grainger, Inc. ("Grainger"), (i) escriba, llame o visite la sucursal local de Grainger donde compró el producto u otra sucursal de Grainger cerca de usted (visite www.grainger.com para obtener una lista de las sucursales); o (ii) comuníquese con Grainger visitando www.grainger.com y haga clic en el enlace "Contact Us" en la parte superior de la página, luego haga clic en enlace "Email us"; o (iii) llame a Servicio al Cliente (libre de cargo) al 1-888-361-8649. Para obtener servicio de garantía si compró el producto cubierto a través de otro distribuidor o minorista, (i), visite www.grainger.com para el Servicio de Garantía; (ii) escriba, llame o visite la sucursal de Grainger cerca de usted; o (iii) llame a Servicio al Cliente (libre de cargo) al 1-888-361-8649. En cualquiera de los casos, necesitará proporcionar, cuando esté disponible, la fecha de compra, el número de factura original, el número de pieza, una descripción del defecto, y cualquier otra información que especifique esta Garantía limitada de Speedaire por un año. Se le podría solicitar que envíe el producto a su propio coste para que lo inspeccionen. Puede hacer un seguimiento de los avances de las inspecciones y medidas correctivas de la misma forma. El título y el riesgo de pérdida pasa del comprador en el momento de la entrega a la compañía de transporte, por lo que si el producto sufre daños durante el transporte, presente un reclamo a la compañía transportista, no al minorista, Grainger o Dayton. Para información sobre la garantía para compradores y/o entregas fuera de los Estados Unidos, comuníquese con:

**Dayton Electric Mfg. Co.,
100 Grainger Parkway, Lake Forest, IL 60045 EE.UU.
o llame al +1-888-361-8649**



SPEEDAR®



Clé à Cliquet Pneumatique

Modèles 45NW46

®

SPEEDART

**LIRE ET CONSERVER CES
INSTRUCTIONS. IL FAUT LES
LIRE ATTENTIVEMENT AVANT DE
COMMENCER À ASSEMBLER,
INSTALLER, FAIRE FONCTIONNER
OU ENTRETENIR L'APPAREIL
DÉCRIT.**

**POUR SE PROTÉGER ET PROTÉGER
AUTRUI, OBSERVER TOUTES LES
INFORMATIONS SUR LA SÉCURITÉ.
NÉGLIGER D'APPLIQUER CES
INSTRUCTIONS PEUT CAUSER
DES BLESSURES ET/OU DES
DOMMAGES MATÉRIELS!
CONSERVER CES INSTRUCTIONS
POUR CONSULTATION ULTÉRIEURE.**

**SE REPORTER AU DOS DE LA
PRÉSENTE BROCHURE POUR LES
INFORMATIONS CONCERNANT LA
GARANTIE DAYTON ET D'AUTRES
INFORMATIONS IMPORTANTES.**

N° de modèle : _____

N° de série : _____

Date d'achat : _____

*Brochure 5SXXXX / Imprimée en XXXX
XXXXX Version XX XX/XXXX*

© 2013 Dayton Electric Manufacturing Co.
Tous droits réservés

AVANT DE COMMENCER

Installation

- L'outil est conçu pour fonctionner à une pression de 620 kPa. Son fonctionnement à une pression inférieure rend l'outil moins performant, alors que son fonctionnement à une pression supérieure accroît ses performances au-delà de sa capacité nominale et risque d'endommager l'outil et de blesser l'utilisateur.
- Alimenter toujours l'outil en air propre et sec. Une humidité et une saleté excessives réduisent grandement la durée de service de tout moteur pneumatique. Nous recommandons la pose d'un filtre-régulateur-lubrificateur sur la conduite, aussi près de l'outil que possible.

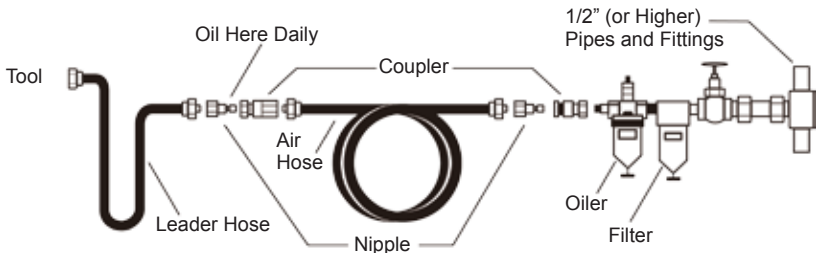


Figure 1

- Valve de outil est 1/4" NPT.

DÉBALLAGE

Contenu:



- Clé à Cliquet Pneumatique

Examiner Avec Attention:



- Lors du déballage de l'outil, vérifiez-le soigneusement pour rechercher tout dommage susceptible de s'être produit en cours de transport. Recherchez également toute pièce desserrée, manquante ou endommagée.



- Voir les Instructions Générales de Sécurité à la page 2, et Également les (Précautions et) Avertissements indiqués.

INFORMATION DE SÉCURITÉ GÉNÉRALE

Pour Obtenir Des Renseignements Supplémentaires Sur Les Mesures De Sécurité, Veuillez Consulter

- Votre employeur, syndicat et/ou association commerciale, Le ministère du travail des Etats-Unis (O.S.H.A.), www.osha.gov. Le code de sécurité pour les outils portatifs pneumatiques (B186 .1) disponible auprès de: www.ansi.org.

Risques Encourus Par Enchevêtrement

- Ne vous approchez pas d'une transmission rotative.
- Ne portez pas de bijoux ou de vêtements amples.
- A proximité de l'outil et de ses accessoires, cravats, écharpes, foulards et autres peuvent présenter un risque d'étranglement.
- A proximité de l'outil et de ses accessoires, les cheveux doivent être attachés sous risqué d'être arrachés.
- Évitez de toucher aux accessoires pendant leur utilisation.
- N'utilisez que les accessoires spécialement conçus pour fonctionner avec des tournevis, des machines à visser des écrous, des cliquets à air comprimé et mécanisme à impulsions.

Risques De Projedions

- Portez toujours un masque anti-choc couvrant les yeux et le visage si vous vous tenez près de l'outil, si vous l'utilisez le reparez, le révisiez ou changez des accessoires.
- Assurez-vous que toutes les personnes à proximité de l'outil aient une protection similaire."
- Même de petits projectiles peuvent abîmer les yeux et provoquer la cécité.
- N'utilisez pas de raccords manuels qui peuvent se briser.
- N'utilisez que des raccords pneumatiques ou à percussion en bon état.
- Utilisez les agrafes les plus simples possible. Les barres d'extension longues et flexibles et les adaptateurs absorbent les chocs et peuvent se briser. Si possible, utilisez des embases larges.
- N'utilisez jamais l'outil à vide pour éviter tout risque d'emballement.
- L'accessoire pourrait se détacher de l'outil. Des blessures graves peuvent résulter d'un serrage excessif ou insuffisant des dispositifs de fixation, car ceux-ci peuvent casser ou se desserrer et se détacher. Les assemblages nécessitant un couple de serrage spécifique doivent être vérifiés avec un contrôleur de couple.
- Remarque: les outils dynamométriques à cliquet ne permettent pas de vérifier l'existence d'un couple de serrage excessif.

Risques Sur Le Lieu De Travail

- Les chutes peuvent être à l'origine de blessures graves, voire mortelles.
- Faites attention aux tuyaux qui traînent par terre ou sur le plan de travail.
- Un fort niveau sonore peut provoquer une perte auditive irréversible.

INFORMATION DE SÉCURITÉ GÉNÉRALE (CONTINUE)

- Adoptez une position bien équilibrée et évitez toute surface glissante. Portez le modèle de casque antibruit préconisé par votre employeur ou la réglementation O.S.H.A. (voir 29 CFR part 1910).
- Des gestes répétitifs, de mauvaises positions et une exposition aux vibrations peuvent avoir des effets nuisibles sur les membres supérieurs.
- En cas de sensation d'engourdissement, de picotement, de douleur ou en cas de décoloration de la peau, cessez d'utiliser l'outil et consultez un médecin. Soutenez toujours bien le manche de l'outil, dans la direction opposée à la rotation de l'axe, afin de réduire l'effet du couple antagoniste pendant le serrage final et le desserrage initial.
- Une barre d'absorption ou une poignée de support supplémentaire est souvent nécessaire pour résister au couple antagoniste. Les barres d'absorption doivent être fixées correctement afin d'éviter tout risque de blessure.
- Soyez prudent dans un environnement non familier. Faites attention aux dangers possibles résultant de votre travail.
- Certaines poussières générées par les activités de construction telles que ponçage, sciage, meulage, pençage, etc., contiennent des substances chimiques qui, selon l'État de Californie, sont cancérigènes ou peuvent causer des anomalies congénitales ou encore constituer des dangers pour la reproduction.
- Exemples de tels produits chimiques:
- Plomb provenant des peintures au plomb;
- Silice cristalline provenant des briques, du ciment et d'autres matériaux de maçonnerie;
- Arsenic et chrome provenant des caoutchoucs traités chimiquement.
- Votre risque d'exposition à ces produits nocifs dépend de la fréquence à laquelle vous effectuez ces travaux. Pour réduire votre exposition à ces produits chimiques, travaillez dans un local bien aéré et portez un équipement de protection homologué tel que des masques antipoussière spécialement conçus pour arrêter les particules microscopiques.

Consignes De Sécurité Supplémentaires

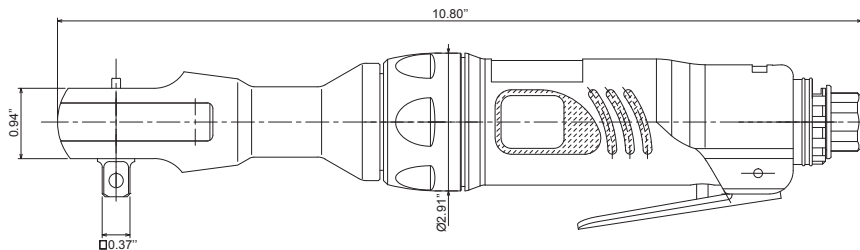
- La pièce doit être fermement maintenue en place.
- Cet outil et ses accessoires ne doivent pas être modifiés.
- Cet outil n'est pas isolé pour venir en contact avec les sources de courant et il est déconseillé de l'utiliser dans une atmosphère explosive.
- Le personnel de maintenance et les opérateurs doivent être physiquement aptes à manier cet outil tant au niveau du poids, de l'encombrement que de la puissance, et être à même d'effectuer le travail. Pour utilisation professionnelle uniquement.

CARACTÉRISTIQUES**45NW46**

Average CFM @ 15 Second Run Time	5.7
Max. Torque	110 ft lbs.
Torque Range	10 to 90 ft lbs.
Free Speed	180 RPM
Required Pressure	90 PSI
Square Drive Size	3/8"
Air Inlet	1/4" NPT
Min. Hose Size	3/8"

DIMENSIONS

Length	10.63"
Weight	2.75 lb.
Head Height	1.64"
Head Width	1-5/8"



INSTALLATION

Avant Utilization

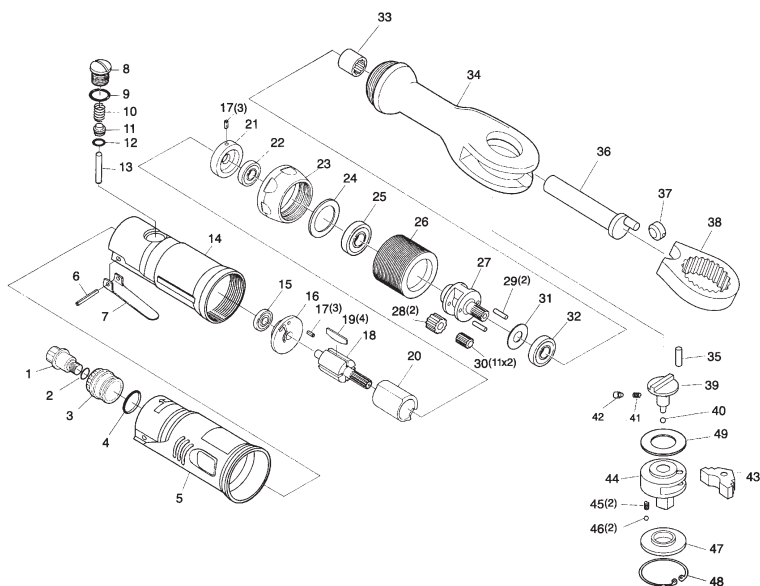
- Avant de raccorder l'outil à l'alimentation en air, nettoyez le tuyau d'air pour le débarrasser de la poussière et de l'eau.
- débarrasser de la poussière et de l'eau. Avant de débrancher un outil pour entretien ou changement de accessoires, veillez à coupler l'alimentation en air et à purger le tuyau de l'air qu'il contient. Cela empêche l'outil de se mettre en marche si sa commande est actionnée accidentellement.

FONCTIONNEMENT

- Cet outil doit être alimenté en air pur et sec à une pression de 620 kPa. Une pression plus élevée entraînerait une usure nettement plus rapide. Reliez l'outil à la ligne d'air en utilisant la conduite, le tuyau et les raccords dans les dimensions indiquées dans Figure 2.

Risques Lies A L'air Comprime

- L'air comprimé peut provoquer des blessures graves.
- Avant de remplacer des accessoires ou d'effectuer une réparation, ou lorsque l'outil est inutilisé, veillez à couper l'arrivée d'air comprimé à purger le tuyau, puis à le débrancher de l'alimentation principale.
- Ne dirigez jamais le jet d'air vers vous ou toute autre personne.
- Des tuyaux mal raccordés, endommagés ou aux bagues desserrées peuvent provoquer des blessures graves s'ils se détachent.
- Vérifiez tuyaux et bagues.
- Si vous utilisez des attaches torsadées universelles, prenez soin d'installer des goupilles de sécurité.
- Ne dépassez pas une pression d'air maximum de 620 kPa ou celle indiquée sur l'outil.

**ILLUSTRATION DES PIÈCES DÉTACHÉES POUR LES MODÈLES
45NW46****Lubrification**

Utilisez un lubrificateur sur la canalisation d'air réglé pour dispenser deux (2) gouttes huile pour outils pneumatiques Mobil Almo 525 modèle 4ZF22) par minute. Si vous ne pouvez pas utiliser un lubrificateur sur la conduite d'air, ajoutez de l'huile dans l'unité d'admission une fois par jour.

**Pour commander des pièces détachées,
composer le 1-800-Grainger
24 heures par jour – 365 jours par an**

Fournir les informations suivantes :

- Numéro de modèle
- Numéro de série (s'il y en a un)
- Description et numéro de pièce comme indiqué sur la liste des pièces

LISTE DES PIÈCES DÉTACHÉES POUR LES MODÈLES 45NW46

N° de réf.	Description	Numéro de pièce :	Qté
1	Swivel Inlet Bushing	1130-01	1
2	O Ring	P-10	1
3	Exhaust Sleeve	1130-03	1
4	O Ring	S-22.4	1
5	Housing Cover	1130-05	1
6	Spring Pin	SP3X28	1
7	Throttle Lever	1130-07	1
8	Valve Screw	1130-08	1
9	Valve Screw O Ring	1130-09	1
10	Throttle Valve Spring	1130-10	1
11	Throttle Valve	1130-11	1
12	Throttle Valve O Ring	P-4	1
13	Throttle Plunger	1130-13	1
14	Motor Housing	1130-14	1
15	Ball Bearing	696ZZ	1
16	Rear End Plate	1130-16	1
17	Spring Pin	SP2.5X5	3
18	Rotor	1130-18	1
19	Rotor Blade	1130-19	4
20	Cylinder	1130-20	1
21	Front End Plate	1130-21	1
22	Ball Bearing	608ZZ	6
23	Clamp Nut	1130-23	1
24	Washer	1130-24	1
25	Ball Bearing	6001ZZ	1
26	Internal Gear	1130-26	1
27	Planet Cage	1130-27	1
28	Planet Gear	1130-28	2
29	Planet Pin	1130-29	2
30	Needle Roller	1130-30	11X2
31	Washer	1130-31	1
32	Ball Bearing	608ZZ	2
33	Needle Bearing	1130-33	1
34	Ratchet Housing	1130-34	1
35	Dowel Pin	1130-35	1
36	Crank Shaft	1130-36	2
37	Drive Bushing	1130-37	1
38	Yoke	1130-38	1
39	Reverse Button 3/8"	1130-39	4
40	Steel Ball	1130-40	1

**LISTE DES PIÈCES DÉTACHÉES POUR LES MODÈLES 45NW46
(CONTINUE)**

N° de réf.	Description	Numéro de pièce :	Qté
41	Ratchet Spring	1130-41	1
42	Lock Pin	1130-42	1
43	Ratchet Pawl	1130-43	1
44	Anvil 3/8"	1130-44	
45	Spring	1130-45	2
46	Steel Ball	1130-46	2
47	Thrust Washer 3/8"	1130-47	1
48	Retaining Ring	1130-48	1
49	Spacer	1130-49	

GARANTIE LIMITÉE D'UN AN FOURNIE PAR SPEEDAIRE

GARANTIE LIMITÉE D'UN AN FOURNIE PAR SPEEDAIRE. Tous les modèles de produits Speedaire® couverts dans ce manuel sont garantis par Dayton Electric Mfg. Co. (« Dayton ») au premier utilisateur contre tout défaut de fabrication ou de matériau, dans des conditions d'utilisation normales durant un an à compter de la date d'achat. Si le produit Speedaire fait partie d'un ensemble, seul le composant du produit présentant un défaut est couvert par la présente garantie. Tout produit ou toute pièce présentant un défaut de fabrication ou de matériau et retourné(e) à un centre de service agréé désigné par Dayton ou par un représentant désigné de Dayton, port payé, sera à titre de recours exclusif, réparé(e) ou remplacé(e) par un produit neuf ou une pièce neuve, ou par un produit ou une pièce remis à neuf d'utilité égale, ou fera l'objet d'un remboursement intégral, au choix de Dayton ou d'un représentant désigné de Dayton, sans frais. Voir les procédures de réclamation sous garantie limitée sous la rubrique « Service de garantie » ci-après. La présente garantie est annulée en cas de preuve de mésusage, de réparation défectueuse, d'installation défectueuse, d'utilisation abusive ou de modification. La présente garantie ne couvre pas l'usure normale des produits Speedaire ou des composants de ces produits, ou des produits ou des composants de ces produits qui sont consommables lors d'une utilisation normale. La présente garantie limitée donne aux acheteurs des droits spécifiques et il est également possible de bénéficier d'autres droits qui varient selon les juridictions.

CLAUSES D'EXONÉRATION DE GARANTIE ET LIMITES DE RESPONSABILITÉ CONCERNANT TOUS LES CLIENTS POUR TOUS LES PRODUITS

LIMITES DE RESPONSABILITÉ. DANS LA MESURE PERMISE AU TITRE DE LA LOI APPLICABLE, DAYTON DÉCLINE EXPRESSÉMENT TOUTE RESPONSABILITÉ POUR TOUT DOMMAGE ACCESSOIRE ET INDIRECT. LA RESPONSABILITÉ DE DAYTON EST DANS TOUS LES CAS LIMITÉE ET NE SAURAIT DÉPASSER LE PRIX D'ACHAT.

CLAUSE D'EXONÉRATION DE GARANTIE. DE DILIGENTS EFFORTS ONT ÉTÉ FAITS POUR FOURNIR AVEC PRÉCISION LES INFORMATIONS ET ILLUSTRATIONS DES PRODUITS DÉCRITS DANS CETTE BROCHURE; CEPENDANT, DE TELLES INFORMATIONS ET ILLUSTRATIONS SONT POUR LA SEULE RAISON D'IDENTIFICATION, ET N'EXPRIMENT NI N'IMPLIQUENT QUE LES PRODUITS SPEEDAIRE SONT COMMERCIALISABLES, OU ADAPTABLES À UN BESOIN PARTICULIER, NI QUE CES PRODUITS SPEEDAIRE SONT NÉCESSAIREMENT CONFORMES AUX ILLUSTRATIONS OU DESCRIPTIONS FOURNIES. SAUF DISPOSITIONS CONTRAIRES CI-DESSOUS, AUCUNE GARANTIE OU AFFIRMATION DE FAIT, EXPRESSE OU IMPLICITE, AUTRE QUE CELLE ÉNONCÉE À LA RUBRIQUE « GARANTIE LIMITÉE » CI-DESSUS, N'EST FOURNIE OU AUTORISÉE PAR DAYTON.

CONFORMITÉ DU PRODUIT. DANS DE NOMBREUSES JURIDICTIONS, LES CODES ET LES RÉGLEMENTATIONS QUI RÉGISSENT LES VENTES, LA CONSTRUCTION, L'INSTALLATION ET/OU L'UTILISATION DE PRODUITS POUR CERTAINS USAGES PEUVENT ÊTRE DIFFÉRENTS DE CEUX DE RÉGIONS AVOISINANTES. BIEN QUE DAYTON SE SOIT EFFORCÉE DE RENDRE SES PRODUITS CONFORMES À CES CODES, LA SOCIÉTÉ NE PEUT EN GARANTIR LA CONFORMITÉ ET NE SAURAIT ÊTRE RESPONSABLE DE LA MANIÈRE DONT LES PRODUITS SONT INSTALLÉS OU UTILISÉS. AVANT D'ACHETER ET D'UTILISER UN PRODUIT, IL EST CONSEILLÉ D'ÉTUDIER LES DIRECTIVES DE SÉCURITÉ/CARACTÉRISTIQUES TECHNIQUES AINSI QUE LES CODES ET RÉGLEMENTATIONS NATIONAUX ET LOCAUX APPLICABLES, ET DE S'ASSURER DE LA CONFORMITÉ À CES CODES DE CES PRODUITS SPEEDAIRE, DE LEUR INSTALLATION ET DE LEUR UTILISATION.

CONSOMMATEURS SEULEMENT. CERTAINS ASPECTS DES DÉNIS DE GARANTIE NE SONT PAS APPLICABLES AUX PRODUITS DE CONSOMMATION VENDUS AUX CONSOMMATEURS (A) CERTAINES JURIDICTIONS N'AUTORISENT PAS L'EXCLUSION OU LA LIMITATION DES DOMMAGES ACCESSOIRES OU INDIRECTS, DE SORTE QUE LA LIMITATION OU L'EXCLUSION SUSMENTIONNÉE PEUT NE PAS S'APPLIQUER À VOTRE CAS; (B) EN OUTRE, CERTAINES JURIDICTIONS N'AUTORISENT PAS DE LIMITER SUR LA DURÉE D'UNE GARANTIE IMPLICITE, PAR CONSÉQUENT LA LIMITE SUSMENTIONNÉE PEUT NE PAS S'APPLIQUER À VOTRE CAS; ET (C) EN VERTU DE LA LOI, DURANT LA PÉRIODE DE GARANTIE LIMITÉE, TOUTE GARANTIE IMPLICITE DE QUALITÉ MARCHANDE OU D'ADÉQUATION À UN USAGE PARTICULIER APPLICABLE AUX PRODUITS DE CONSOMMATION ACHETÉS PAR DES CONSOMMATEURS, EST SUSCEPTIBLE DE NE PAS POUVOIR ÊTRE EXCLUE OU AUTREMENT DÉNIÉE.

LA PRÉSENTE GARANTIE LIMITÉE S'APPLIQUE SEULEMENT AUX PRODUITS SPEEDAIRE ACHETÉS PAR DES ACHETEURS AUX ÉTATS-UNIS POUR UNE LIVRAISON À L'INTÉRIEUR DES ÉTATS-UNIS.

SERVICE DE GARANTIE

Pour obtenir le service de garantie si le produit couvert a été acheté directement auprès de W.W. Grainger, Inc. (« Grainger »), (i) écrire, téléphoner à la succursale ou visiter la succursale locale de Grainger auprès de laquelle le produit a été acheté ou une autre succursale de Grainger à proximité (consulter le site www.grainger.com pour obtenir la liste des succursales de Grainger); ou (ii) communiquer avec Grainger en se rendant sur le site www.grainger.com et en cliquant sur le lien « Contact Us » en haut de la page, puis sur le lien « Email us »; ou (iii) appeler le service clientèle (sans frais) en composant le 1-888-361-8649. Pour obtenir le service de garantie si le produit couvert a été acheté auprès d'un autre distributeur ou d'un autre détaillant, (i) se rendre sur le site www.grainger.com pour obtenir le service de garantie; (ii) écrire, téléphoner à une succursale ou visiter une succursale de Grainger à proximité; ou (iii) appeler le service clientèle (sans frais) en composant le 1-888-361-8649. Dans tous les cas, il sera nécessaire de fournir dans la mesure du possible, la date d'achat, le numéro d'origine de la facture, le numéro de stock, une description du défaut et tout autre élément spécifié en vertu de la présente garantie limitée d'un an de Speedaire. Il sera peut-être exigé de renvoyer le produit moyennant certains frais pour qu'il soit vérifié. Il est possible d'obtenir un suivi quant aux vérifications et aux modifications en cours par les moyens indiqués. Le titre et le risque de perte passe de l'acheteur au transporteur public lors de la livraison, par conséquent si le produit est endommagé pendant son transport, toute réclamation doit être déposée auprès du transporteur, et non pas auprès du détaillant, Grainger ou Dayton. Pour toute information sur la garantie concernant les acheteurs et/ou une livraison à l'extérieur des États-Unis, veuillez prendre contact avec :

**Dayton Electric Mfg. Co.,
100 Grainger Parkway, Lake Forest, IL 60045 États-Unis
ou composer le +1-888-361-8649**