



# Z6955-XL-S

Aqua-FIT® Battery Powered Faucet

TAG \_\_\_\_\_

## Architectural/Engineering Specification:

Zurn AquaSense® faucets are ideal for high-use applications where durability and hands-free operation are necessary. ADA compliant, battery powered, polished chrome-plated cast brass sensor faucet with infrared proximity sensor for retrofit and new construction.

Zurn Lead Free products (-XL) is the line of durable, high quality brass faucets and fixtures that are designed and manufactured to comply with Section 1417 of the Safe Drinking Water Act (SDWA) which mandates the weighted average lead content of no more than 0.25% of the wetted surface.

## Product Features:

- Line Purge
- Metering Mode
- Infrared convergence-type proximity sensor
- 30 second time out feature
- Chrome-plated Cast Brass Body
- In-line filter
- 4 "AA" batteries
- Inlet for a 1/2" ball riser

## Suffix Options:

- 5S Five Second Time out Feature
- 10S Ten Second Time out Feature
- 15S Fifteen Second Time out Feature
- 60S Sixty Second Time out Feature
- LP12 Line Purge 2min/12 hr
- LP24 Line Purge 2min/24 hr
- LP48 Line Purge 2min/48 hr
- MV Temperature Mixing Valve
- SH Supply Hoses for Mixing Valve
- TMV-1 Thermostatic Mixing Valve for Single Faucets



## Aerator Options:

	Flowrate GPM [LpM]	Vandal Resistant	*WaterSense Labeled	Outlet Type
<b>-E</b>	1.5[5.7]	✓	✓	Aerator
<b>-F</b>	0.5[1.9]	✓		Spray
<b>-J</b>	1.5[5.7]	✓	✓	Laminar
<b>-K</b>	1.0[3.8]	✓	✓	Laminar
<b>-L</b>	1.0[3.8]	✓	✓	Aerator
<b>-M</b>	0.35[1.3]	✓		Spray
<b>-N</b>	0.5[1.9]	✓		Laminar

## Power Supply Choices (Sold Separately):

- ACA 6 VDC Plug-In Power Converter
- HW6 Hardwired Power Converter
- LL "10 Year Battery" - Long Life

## Optional Power Supply Accessories:

- CWB Connector Wire for Plug-In Power Converter
- MJ Mini Junction Box

**NOTE: For Hardwire applications furnish P6000-HW6 power converter. Order P6000-HW6 power converter separately.**

**The P6000-HW6 and P6000-MJ will power up to 8 sensor faucets.**

## Compliance and Certification:

- Low-Lead Compliant
- ADA Compliant



XL LEAD FREE

ADA  
DESIGNED

WaterSense  
Meets EPA Criteria  
Certified by  
IAPMO R&T

ZURN INDUSTRIES, LLC 511 W. Freshwater Way, Milwaukee, WI U.S.A. 53204 · Ph. 1-855-ONE-ZURN, Fax 919-775-3541

In Canada: ZURN INDUSTRIES LIMITED 7900 Goreway Drive, Unit 10, Brampton, Ontario L6T 5W6, Ph. 905-405-8272, Fax 905-405-1292

Rev. A

Date: 11/08/19

C.N. No. SAN008590

Prod. | Dwg. No. SS Z6955-XL-S

### Architectural/Engineering Approval

The information contained in this document is subject to change without notice. Please contact Zurn for most up to date information.

\*This device is WaterSense labeled when used with the appropriate flow rate and certified for residential and private restrooms.



US 1.855.ONE.ZURN CANADA 1.905.405.8272 ZURN.COM



# Z6955-XL-S

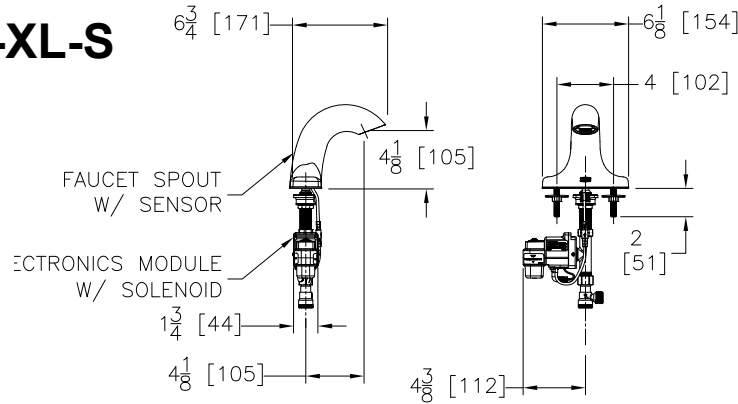
Aqua-FIT® Battery Powered Faucet

TAG \_\_\_\_\_

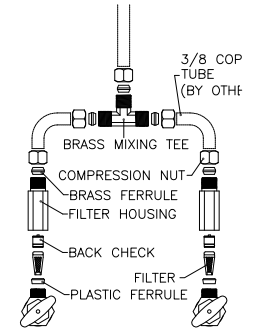
## TYPICAL Z6955-XL-S

AquaSense Battery Powered Faucet

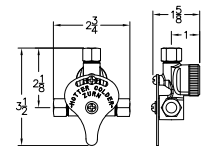
NOTE: Recommended through hole diameter to properly mount the spout/shank is 1-1/8" to 1-1/4".



### Optional Mixing Valves



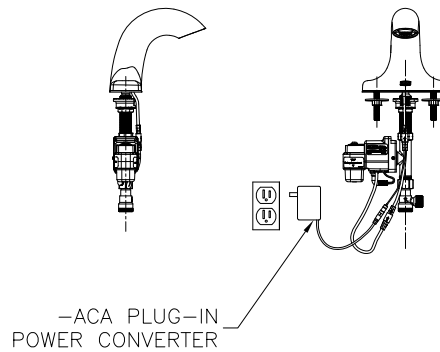
P6900-MT  
Mixing Tee



P6900-MV  
Temperature Mixing Valve

## TYPICAL Z6955-XL-S-ACA

AquaSense Plug-In Powered Faucet



## TYPICAL Z6955-XL-S-CWB

AquaSense Hardwire Powered Faucet

Optional:  
\* Optional -MJ mini junction box for connecting up to 8 faucets

NOTE: MUST USE EITHER ZURN P6000-HW6 HARDWIRE POWER CONVERTER OR ZURN P6000-ACA PLUG-IN POWER CONVERTER TO ENSURE PROPER OPERATION. USING A POWER CONVERTER OTHER THAN ZURN MAY RESULT IN OPERATION MALFUNCTION OR UNIT FAILURE.

