



VESTIL MANUFACTURING CORP.
 2999 North Wayne Street, P.O. Box 507, Angola, IN 46703
 Telephone: (260) 665-7586 -or- Toll Free (800) 348-0868
 Fax: (260) 665-1339
 www.vestilmfg.com e-mail: info@vestil.com

NVD-40 NEAR VERTICAL DRUM LIFTER INSTRUCTION MANUAL



Receiving instructions:

After delivery, IMMEDIATELY remove the packaging from the product. Inspect the product closely to determine whether it sustained damage during transport. If damage is discovered, immediately record a complete description of the damage on the bill of lading. If the product is undamaged, discard the packaging.

NOTES:

- 1) Compliance with laws, regulations, codes, and non-voluntary standards enforced in the location where the product is *used* is exclusively the responsibility of the owner/end-user.
- 2) VESTIL is **not liable** for any injury or property damage that occurs as a consequence of failing to apply either: a) the instructions in this manual; or b) information provided on product labeling.

Table of Contents

Signal Words.....	2
Safety Guidelines.....	2
Introduction.....	3
Operation.....	3
Inspections & Maintenance.....	5
Label Placement.....	5
Limited warranty.....	6

Signal Words:

This manual uses SIGNAL WORDS to indicate the likelihood of personal injuries, as well as the probable seriousness of those injuries, if the product is misused in the ways described. Other signal words call attention to uses of the product likely cause property damage.

The signal words used appear below along with the meaning of each word:



Identifies a hazardous situation which, if not avoided, **WILL** result in **DEATH** or **SERIOUS INJURY**. Use of this signal word is limited to the most extreme situations.



Identifies a hazardous situation which, if not avoided, **COULD** result in **DEATH** or **SERIOUS INJURY**.



Indicates a hazardous situation which, if not avoided, **COULD** result in **MINOR** or **MODERATE** injury.



Identifies practices likely to result in product/property damage, such as operation that might damage the product.

Each person who assembles, installs, uses, or maintains this product should read the entire manual **and fully understand the directions in advance**. **If after reading the manual you do not understand an instruction, ask your supervisor or employer for clarification, because failure to adhere to the directions in this manual might result in serious personal injury.**

Safety guidelines:

Vestil diligently strives to identify foreseeable hazards associated with the use of its products. However, material handling is inherently dangerous and no manual can address every conceivable risk. The end-user ultimately is responsible for exercising sound judgment at all times.



Electrocution might result if any part of the product contacts electrified wires. Reduce the likelihood of electrocution by applying **common sense**:

- DO NOT *contact* electrified wires with any part of this device, your body, or clothing.
- DO NOT use or store the product where contact with electrified wires is likely.
- Always inspect the usage area before using the product & implement precautions that account for conditions.



If this product is used improperly or carelessly, the operator and/or bystanders might sustain serious personal injuries or even be killed. To reduce the likelihood of injury:

- ***Failure to read and understand the entire manual before assembling, installing, using or servicing the product is a misuse of the product.***
- Read the manual to refresh your understanding of proper use and maintenance procedures.
- DO NOT attempt to resolve any problem(s) with the product unless you are both authorized to do so and certain that it will be safe to use afterwards.
- DO NOT modify the product in any way UNLESS you first obtain written approval from Vestil. Unauthorized modifications automatically void the Limited Warranty and might make the product unsafe to use.
- DO NOT exceed the maximum rated load (see Label 993 on product).
- Inspect the product before each use.
 - A. DO NOT use this product if the inspection reveals structural damage. Examples of structural damage include, but are not limited to, the following: 1) Cracked, broken or significantly deformed load-bearing members; 2) cracked welds; 3) missing or deformed safety chain/strap; 3) corrosion, severe wear, or other condition that affects the ability of the product to support weight or itself. Replace each part that fails to pass an inspection, and DO NOT use the product until it is fully restored to normal condition.
 - B. DO NOT use the product if any unusual noise or movement is observed. If a malfunction occurs, remove the unit from service and notify your supervisor & maintenance personnel about the issue.
- DO NOT use this device UNLESS all product labels (see "Label Placement Diagram") are readable and undamaged.
- Always make sure that the shackle pin (see item 5 on p. 4) is secure before applying a load to the load hook. Tighten the screw pin before each use.



- Proper use, maintenance, and storage are essential for this product to function properly.
- Always use this product in accordance with the instructions in this manual and consistent with any training relevant to machines, devices, etc. used in conjunction with this product.
 - Keep the product clean & dry. Lubricate moving parts.
 - Contact the manufacturer for MSDS information

Introduction

This product is designed for the transportation of 55 gallon, closed head, steel drums using an overhead lifting device. The Drum Lifter has several features. The Hoisting Eyelet can slide along the lifter so the drum can be lifted and transport in a horizontal or in a near-vertical position. The mounting features can accommodate most top and bottom lip geometries. The Upper Bracket slides along the lifter to accommodate a range of drum heights from 16" to 40". The steel construction makes it robust and it is powder coated for a tough finish. The Hook Plate is sold separately.

Operation



- A bent lifter tube has lost its lifting integrity which can result in failure when lifting loads below the rated capacity. The drum may drop and roll onto a person or equipment causing damage and/or injury.

Near Vertical Lift

1. Verify the drum's weight does not exceed the Drum Lift's capacity shown on the label.
2. Tilt the drum just enough to slide the Lower Bracket, item 1, under the drum.
3. Slowly lower the drum so the lower rim sets inside the groove within the Lower Bracket.
4. Slide the Upper Bracket, item 3, down so the drum's upper rim is nested within the Upper Bracket.
5. Tighten the Toggle Bolt, item 6.



- If the Toggle bolts are not tightened, the drum will not be securely held during lifting, transporting or while lowering. The drum may drop and roll onto a person or equipment causing damage and/or injury.

6. Position the Lifting Slide Bracket, item 2, up against the Upper Bracket.
7. Tighten the Toggle Bolt on the Lifting Slide Bracket.
8. Using the Hoisting Eyelet, slowly lift the drum about a foot off the floor.
9. Verify the Upper Bracket and the Lifting Slide Bracket's position along the tube has not changed. If changes are noticed, slowly lower the drum, loosen brackets, re-position and tighten.
10. Repeat steps 8 and 9 until the drum is secure. Continue Lifting

Horizontal Lift



- Do not attempt to stand a drum upright by sliding the Hoisting Eyelet while horizontally supporting a drum. The sudden weight shift may separate the drum from the Drum Lift. The drum would likely drop and may roll onto a person or equipment causing damage and/or injury.

1. Verify the drum's weight does not exceed the Drum Lift's capacity shown on the label.
2. Position the Drum Lift directly on top of the drum. The Drum Lift should not be resting on the floor or located on the drum's side.
3. Position the Lower Bracket so the drum's lip is nested within the Lower Bracket.
4. Slide the Upper Bracket, item 3, along the tube until the drum's opposite rim is nested within the Upper Bracket.
5. Tighten the Toggle Bolt, item 6.
6. Slide and position the Lifting Bracket so it is centered over the drum.



- If the Lifting Bracket is not centered over the drum, the Lifting Bracket may slide to one end while lifting, transporting or while lowering and the drum could drop and may roll onto a person or equipment causing damage and/or injury.

7. Tighten the Toggle Bolt, item 6.
8. Using the Hoisting Eyelet, slowly lift the drum about a foot off the floor.

9. Verify the Upper Bracket and the Lifting Slide Bracket's position along the tube has not changed. If changes are noticed, slowly lower the drum, loosen brackets, re-position and tighten.
10. Repeat steps 8 and 9 until the drum is secure. Continue Lifting

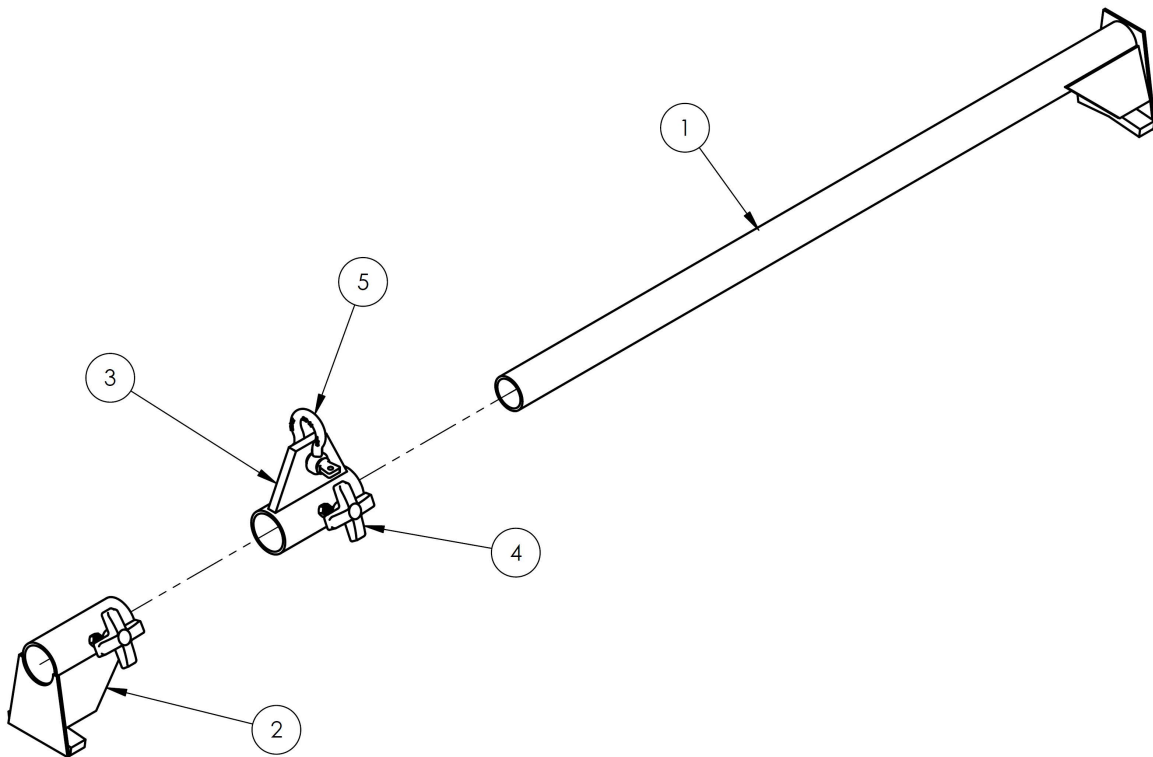
Transporting



• Sudden changes in speed or sharp turns will increase the load's weight and may result in the drum separating from the Drum Lift. A falling and rolling drum may cause serious, personal injury or equipment damage.

1. Increase the speed slowly.
2. Slow down before and during turns.
3. Decrease the speed slowly.
4. Be aware of your surrounds at all times.

Exploded Parts Diagram and Bill of Material



5	N/A	Specialty hardware, 2-ton shackle, 1/2"	1
4	N/A	Knob, 3/8" - 16 UNC THD x 1 1/4"	1
3	09-516-045	Weldment, bracket, lifting slide	1
2	09-516-047	Weldment, bracket, upper	1
1	09-516-048	Weldment, bracket, lower	1
Item	Part Number	Description	Qty

Inspection and Maintenance



- All threads should be clean and not stripped. The drum may become unsecured, drop and may roll onto a person or equipment causing damage and/or injury.
- A bent tube has lost its lifting integrity which can result in failure when lifting loads below the rated capacity. The drum may drop and roll onto a person or equipment causing damage and/or injury.

Every Use

- Verify the Hoisting Eyelet assembly, item 2, slides freely along the tube, item 1.
- Verify the Toggle Bolt threads, item 6, are not stripped. The Toggle Bolt should freely pass through the nut, contact the tube and can be adequately tightened.
- The Hoisting Eyelet, item 4, freely rotates about the Securing Bolt, item 5.
- Verify the Securing Bolt's threads are not damaged. The bolt should turn freely.
- The Securing Bolt's end should extend beyond the Hoisting Eyelet.
- Verify the Sliding Bracket slides freely along the tube.
- Verify the Sliding Bracket's Toggle Bolt threads are not stripped. The Toggle Bolt should freely pass through the nut, contact the tube and can be adequately tightened.
- The labels should be present and legible. Contact the vendor if a new label is needed.

Monthly

- Perform Every Use inspection.
- If rust is present, properly prepare the surface and paint.
- Verify thread integrity with the two Toggle Bolts, the Securing Bolt and their respective female threads are clean and not stripped. If stripped, clean threads with a tap or die.
- Verify the tube has not been deformed. It should be straight. Remove from service and recycle if observed.
- Inspect the welds for cracks and fractures. Remove from service and recycle if observed.

Label Placement

Model No. _____	Serial No. _____
No. Modelo _____	No. Serie _____
Capacity _____ lbs.	Lifter Weight _____ lbs.
Capacidad _____ kgs.	Peso del Elevador _____ kgs.
BHT-1 Design Category: B BHT-1 Categoría de Diseño B	BHT-1 Service Category: 1 BHT-1 Categoría de Servicio: 1
Read Owners Manual for product safety warnings Lea Manual de Proprietarios para advertencias de seguridad de producto	

4-1/2"

⚠ WARNING	⚠ ADVERTENCIA
<ul style="list-style-type: none"> • DO NOT exceed rated capacity • DO NOT use if damaged, malfunctioning, or missing parts • DO NOT lift people OR lift loads over people • DO NOT raise load higher than necessary • DO NOT leave a suspended load unattended • DO NOT use lifter unless you read and understand the owner's manual • DO NOT alter OR modify lifter • DO NOT remove OR obscure any label • STAY CLEAR of suspended loads • Secure load before using this device 	<ul style="list-style-type: none"> • NO exceda la capacidad tasada • NO USE si las partes estan dañadas, no funcionan correctamente o faltan partes. • NO eleve al personal o eleve cargas sobre el personal • NO eleve la carga mas alto de lo necesario • NO deje desatendida una carga que este suspendida • NO use el elevador a no ser que haya leído y entendido las instrucciones del manual del propietario • NO altere o modifique el elevador • NO quite u oscurezca ninguna etiqueta • MANTENGASE alejado de las cargas suspendidas • Asegure la carga antes de usar este dispositivo

Label 993,
A two sided label



LIMITED WARRANTY

Vestil Manufacturing Corporation (“Vestil”) warrants this product to be free of defects in material and workmanship during the warranty period. *Our warranty obligation is to provide a replacement for a defective original part if the part is covered by the warranty, after we receive a proper request from the warrantee (you) for warranty service.*

Who may request service?

Only a warrantee may request service. *You are a warrantee if you purchased the product from Vestil or from an authorized distributor AND Vestil has been fully paid.*

What is an “original part”?

An original part is a part used to make the product as shipped to the warrantee.

What is a “proper request”?

A request for warranty service is proper if Vestil receives: 1) a photocopy of the Customer Invoice that displays the shipping date; AND 2) a written request for warranty service including your name and phone number. Send requests by any of the following methods:

Mail
Vestil Manufacturing Corporation
2999 North Wayne Street, PO Box 507
Angola, IN 46703

Fax
(260) 665-1339
Phone
(260) 665-7586

Email
sales@vestil.com

In the written request, list the parts believed to be defective and include the address where replacements should be delivered.

What is covered under the warranty?

After Vestil receives your request for warranty service, an authorized representative will contact you to determine whether your claim is covered by the warranty. Before providing warranty service, Vestil may require you to send the entire product, or just the defective part or parts, to its facility in Angola, IN. The warranty covers defects in the following *original* dynamic components: motors, hydraulic pumps, electronic controllers, switches and cylinders. It also covers defects in *original* parts that wear under normal usage conditions (“wearing parts”): bearings, hoses, wheels, seals, brushes, batteries, and the battery charger.

How long is the warranty period?

The warranty period for original dynamic components is 30 days. For wearing parts, the warranty period is 30 days. The warranty periods begin on the date when Vestil ships the product to the warrantee. If the product was purchased from an authorized distributor, the periods begin when the distributor ships the product. Vestil may, at its sole discretion, extend the warranty periods for products shipped from authorized distributors by up to 30 days to account for shipping time.

If a defective part is covered by the warranty, what will Vestil do to correct the problem?

Vestil will provide an appropriate replacement for any *covered* part. An authorized representative of Vestil will contact you to discuss your claim.

What is not covered by the warranty?

1. Labor;
2. Freight;
3. Occurrence of any of the following, which automatically voids the warranty:
 - Product misuse;
 - Negligent operation or repair;
 - Corrosion or use in corrosive environments;
 - Inadequate or improper maintenance;
 - Damage sustained during shipping;
 - Collisions or other incidental contacts causing damage to the product;
 - Unauthorized modifications: DO NOT modify the product IN ANY WAY without first receiving written authorization from Vestil. Modification(s) might make the product unsafe to use or might cause excessive and/or abnormal wear.

Do any other warranties apply to the product?

Vestil Manufacturing Corp. makes no other express warranties. All implied warranties are disclaimed to the extent allowed by law. Any implied warranty not disclaimed is limited in scope to the terms of this Limited Warranty.

