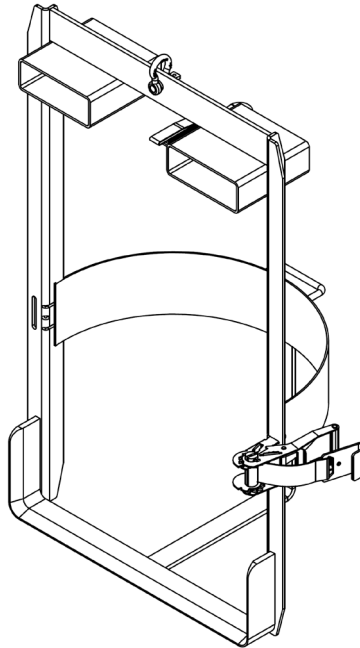




VESTIL MANUFACTURING CORP.
 2999 North Wayne Street, P.O. Box 507, Angola, IN 46703
 Telephone: (260) 665-7586 -or- Toll Free (800) 348-0868
 Fax: (260) 665-1339
 Web: www.vestilmfg.com e-mail: info@vestil.com

DRUM-LUG Drum Lifter Instruction Manual



Receiving Instructions

After delivery, remove the packaging from the product. Inspect the product closely to determine whether it sustained damage during transport. If damage is discovered, record a complete description of it on the bill of lading. If the product is undamaged, discard the packaging.

NOTE: The end-user is solely responsible for confirming that product design, use, and maintenance comply with laws, regulations, codes, and mandatory standards applied where the product is used.

Technical Service & Replacement Parts

For answers to questions not addressed in these instructions and to order replacement parts, labels, and accessories, call our Technical Service and Parts Department at (260) 665-7586. The department can also be contacted online at http://www.vestilmfg.com/parts_info.htm.

Electronic copies of Instruction Manuals

Additional copies of this instruction manual may be downloaded from <https://www.vestil.com/page-manuals.php>.

Table of Contents

Signal Words.....	2
Safety Instructions.....	2
Labeling Diagram.....	2
Exploded View and Bill of Materials.....	3
Specifications.....	3
National Standards.....	4
Using the Lifter.....	4 - 5
Record of Satisfactory Condition.....	5
Load Tests.....	5
Inspections & Maintenance.....	5
Limited Warranty.....	5

SIGNAL WORDS

This manual uses SIGNAL WORDS to draw attention to uses of the product that could result in personal injuries, as well as the probable seriousness of those injuries. “NOTICE” alerts the reader to uses likely to result in property damage. Signal words used in this manual appear below along with the definition of each word.



Identifies a hazardous situation which, if not avoided, WILL result in DEATH or SERIOUS INJURY. Use of this signal word is limited to the most extreme situations.



Identifies a hazardous situation which, if not avoided, COULD result in DEATH or SERIOUS INJURY.



Identifies practices likely to result in product/property damage, such as operation that might damage the product.

SAFETY INSTRUCTIONS

Vestil strives to identify foreseeable hazards associated with the use of its products. However, material handling is dangerous and no manual can address every conceivable risk. The end-user ultimately is responsible for exercising sound judgment at all times.

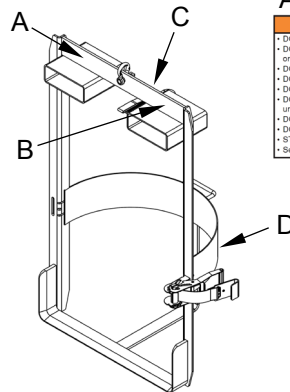


Using this lifter improperly could result in death or serious personal injury.

- **ALWAYS** inspect the unit before each use as described in [INSPECTIONS & MAINTENANCE](#) on p. 4.
- When used with a hoist, only attach the lifter to a hoist hook with a spring latch in good condition.
- When mounted to a fork lift, attach the safety strap to the fork carriage without slack.
- DO NOT remove or obscure any label. Confirm the placement and legibility of each label shown below in the “Labeling diagram”. If a label is damaged or unreadable, contact Vestil for a replacement. DO NOT use the lifter until the label is replaced.
- The lifter is designed to move open and closed head, 30GAL and 55GAL drums in non-classified locations. ONLY use this device to lift drums in good condition. DO NOT lift open head drums unless lids are securely fastened.
- The strap is an essential safety-enhancing feature. Wrap the strap around the forklift carriage and fasten the free end to the strap or quick link **with no slack**.
- DO NOT use the lifter to move drums filled with hazardous substances.
- DO NOT lift a drum lying on its side. All drums must be upright before attaching the lifter to them.
- DO NOT stand, sit, or ride on the lifter.
- **DO NOT attempt to lift a drum that weighs more than the capacity of the lifter (1,000 lb.; 454.5 kg).**
- DO NOT lift a load higher than necessary. See [USING THE LIFTER](#) on p. 4.
- DO NOT raise the load over your feet or any other body part. **NEVER lift a drum over yourself or other people.**
- Avoid contact with the load while moving it. When moving the drum by hoist, stand behind the lifter, grasp the handle welded to the back of the drum cradle, and guide the drum to the desired location. Watch the load at all times.
- DO NOT leave a suspended drum unattended. Always lower the lifter until it rests on the ground.
- DO NOT open the lifter while a drum is suspended. Lower the drum completely before releasing it.

LABELING DIAGRAM

The unit should be labeled as shown in the diagram. However, label content and location are subject to change so your product might not be labeled exactly as shown. Compare this diagram to your [RECORD OF SATISFACTORY CONDITION](#). Replace all labels that are damaged, missing, or not easily readable (e.g. faded). Order replacement labels by contacting the [PARTS DEPARTMENT](#) online at http://www.vestilmfg.com/parts_info.htm. Alternatively, you may request replacement parts and/or service by calling (260) 665-7586 and asking the operator to connect you to the [PARTS DEPARTMENT](#).



A: Label 675

⚠ WARNING	⚠ ADVERTENCIA
<ul style="list-style-type: none"> • DO NOT exceed rated capacity • DO NOT use if damaged, malfunctioning, or missing parts • DO NOT lift people OR lift loads over people • DO NOT raise load higher than necessary • DO NOT leave a suspended load unattended • DO NOT use lifter unless you read and understand the owner's manual • DO NOT remove OR obscure any label • STAY CLEAR of suspended loads • Secure load before using this device 	<ul style="list-style-type: none"> • NO exceda la capacidad tasada • NO USE si las partes estan dañadas, no funcionan correctamente o faltan partes. • NO lleve al personal o eleve cargas sobre el personal • NO eleve la carga más alto de lo necesario • NO deje desatendida una carga que este suspendida • NO use el elevador a no ser que haya leído y entendido las instrucciones del manual del propietario • NO altere o modifique el elevador • NO quite u oscurezca ninguna etiqueta • MANTENGASE alejado de las cargas suspendidas • Asegure la carga antes de usar este dispositivo

B: Label 320

MODEL NUMBER/NÚMERO DE MODELO	
RATED LOAD	_____ LBS.
CARGA TASADA	_____ KGS.
WEIGHT OF LIFTER	_____ LBS.
PESO DE LA UNIDAD	_____ KGS.
SERIAL NUMBER/NÚMERO DE SERIE:	
BTH-1 Design Category/Modelo BTH-1 Categoría	B
BTH-1 Service Category/Modelo BTH-1 Categoría	T
VESTIL MANUFACTURING COMPANY	
Phone (260) 665-7586 • www.vestil.com	

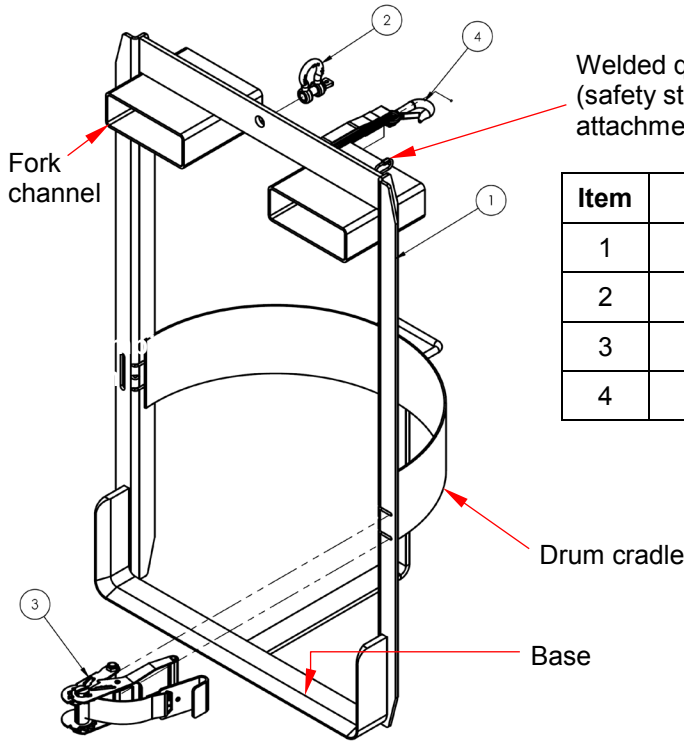
C: label 218

⚠ WARNING	⚠ ADVERTENCIAS
Improper use might result in death or serious personal injury. Attach device to fork carriage with safety chain/strap. <ul style="list-style-type: none"> • Drive lift truck forward until forks contact ends of fork pockets. • Chain/straps must not be able to disconnect (slide free) from carriage. • Safety chain/strap must be fast. Connect chain/strap to carriage via shackle link. 	El uso inapropiado puede resultar en muerte o heridas personales. Atar aparato al mástil del montacargas con cadenas/correas. <ul style="list-style-type: none"> • Mantenga el montacargas para adelante hasta que las cuñas hagan contacto con la crista del bolsillo de las cuñas. • Las cadenas y correas no deben de deslizarse (soltarse) del mástil del montacargas. • La cadena/correa de seguridad debe de estar apretado. Asegure la cadena/correa al mástil via la ruta más corta.

D: Label 624

⚠ WARNING	⚠ ADVERTENCIA	⚠ AVERTISSEMENT
CENTER LIFTING HOOK ABOVE LOAD CENTER OR LOAD DURING HOIST. ADJUST LOCATION OF LOAD OR LIFTING HOOK, IF ADJUSTABLE. DO NOT EXCEED RATED CAPACITY HOIST CAPACITY MUST BE EQUAL OR EXCEED LIFTER CAPACITY PLUS WEIGHT OF UNIT. LIFT SLOWLY STAND CLEAR WHILE LIFTING.	CENTRE EL GANCHO DE ELEVACION ENCIMA DEL CENTRO DE LA CARGA O LA CARGA DE PODRIA DESCARRIAR. AJUSTE EL LUGAR DE LA CARGA O DEL GANCHO DE ELEVACION, SI ES AJUSTABLE. NO EXCEDA LA CAPACIDAD TASADA. LA CAPACIDAD DEL TORNO DEBE IGUALAR O DEBE EXCEDER LA CAPACIDAD DE ALZADOR EL PESO POSITIVO DE LA UNIDAD. ELEV ELENAMENTE MANTENGASE APARTADO MIENTRAS SE ELEVE	CENTRER LE CROCHET DE LEVAGE AU DESSUS DU CENTRE DE LA CHARGE OU UN BÉNÉFICIE DE LA CHARGE RESULTERAIT AJUSTER LA POSITION DE LA CHARGE OU DU CROCHET DE LEVAGE, S'IL EST POSSIBLE. NE PAS DÉPASSER LA CAPACITÉ NOMINALE. CAPACITÉ DE L'APPAREIL DE LEVAGE DOIT ÊTRE ÉGALER OU DÉPASSER LA CAPACITÉ DE L'ÉLÉVATEUR/AVEC LE POIDS DE L'UNITÉ. LEVER LÉNTEMENT TENEZ-VOUS À L'ÉCART PENDANT LEVAGE.

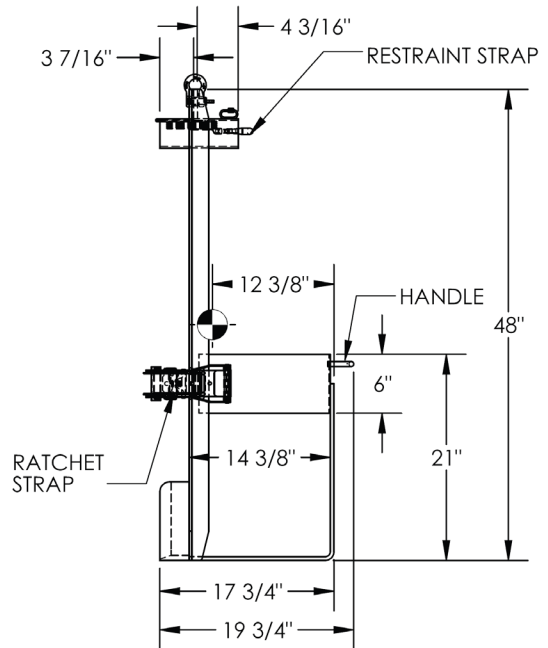
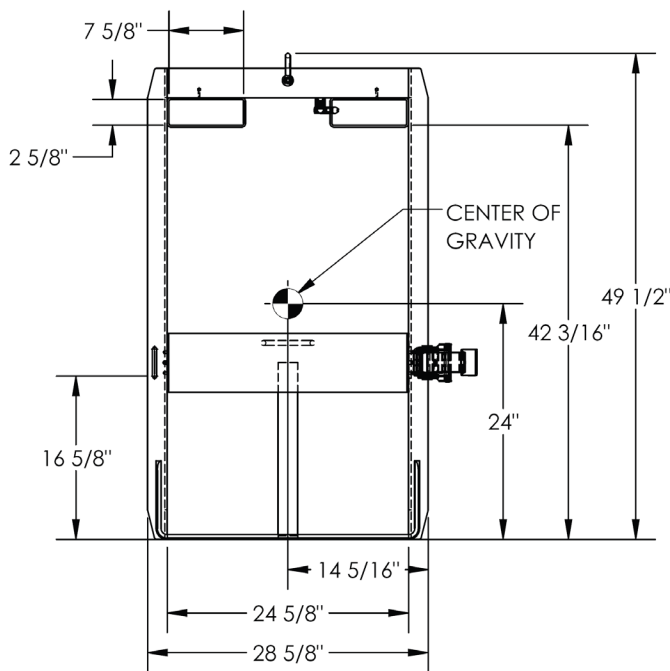
EXPLODED VIEW AND BILL OF MATERIALS



Welded quick link
(safety strap
attachment)

Item	Part no.	Description	Qty.
1	09-514-146	Weldment, frame	1
2	08-145-010	1/2" 2-ton shackle	1
3	30-001-246	Ratchet strap, dual	1
4	08-145-028	Fork attachment restraint strap	1

SPECIFICATIONS



DIMENSION TOLERANCE ± 1/4"

****Only use with 30 gallon (114L) and 55 gallon (209L) drums in upright position.****

Uniform Capacity = 1,000 lb. (454.5kg)
 Weight = 86lb. (39.1kg)
 Overall width = 28⁵/₈" (72.7cm)
 Overall length = 19³/₄" (50.2cm)
 Overall height = 49¹/₂" (125.7cm)
 Ratchet strap to secure drum in lifter

Compatible with 55gal. and 30gal. steel, plastic, & fiber drums
 Maximum drum width = 24⁵/₈"
 Can be attached to a hoist on mounted on forklift
 Usable fork channel dimensions = 7⁵/₈" x 2⁵/₈" (19.4cm x 6.7cm)

NATIONAL STANDARDS

This product can be used as either a front end attachment when mounted on the forks of a fork truck, or a below-the-hook lifter when attached to a hoist or other overhead lifting device.

FRONT END ATTACHMENT

According to US Federal Occupational Safety and Health Administration (OSHA) Rule 1910.178 (29 CFR 1910.178; the "Rule"), this device is a front end attachment for a lift truck whenever it is mounted on the forks of a lift truck. The Rule incorporates American National Standard ANSI/ITSDF B56.1 (the "Standard") published by the Industrial Truck Standards Development Foundation (ITSDF) on its website (www.itsdf.org). The standard is freely downloadable at <http://www.itsdf.org/cue/b56-standards.html>. Before putting this drum mover into service, you must acquire a copy of the Standard. Apply all relevant parts of Part II: For the User. If instructions provided in this manual conflict with the Standard, then you should apply the instructions in the Standard. If you find any such disparities, Vestil request that you immediately share them with our **TECHNICAL SERVICE** personnel. Contact information for **TECHNICAL SERVICE** appears on the cover page of this manual.

BELOW-THE-HOOK LIFTING DEVICE

When attached to an overhead lifting device, this product is a "Below-the-Hook Lifting Device" (BTH lifter). **ASME standard B30.20** (the "Standard") applies to BTH lifters. Acquire a copy of the latest version of the Standard before putting the lifter into service. Follow all use and maintenance/care instructions provided in the Standard as well as all other provisions for owners and users. If content in this manual conflicts with any recommendation or mandatory provision in the Standard, apply the provision from the Standard. Vestil encourages you to immediately contact **TECHNICAL SERVICE** if you discover any conflicts.

USING THE LIFTER

This product can be used either as a below-the-hook lifting device (attached to a hoist) or as a forklift attachment.

Step 1: Set the lifter next to the drum. The base should contact the side of the drum.

Step 2: Tip the drum slightly away from the lifter. Slide the base of the lifter under the drum. The side of the drum should contact the back of the drum cradle.

Step 3: Apply the ratchet strap. If the strap is not long enough to wrap around the drum, then release the spooling mechanism. Pull the release lever up and hold it. Pull the strap away from the ratchet to unspool strap and increase its length.

Step 4: Feed the hook at the end of the strap into the hook slot in the frame. Move the ratchet handle back-and-forth to tighten the strap against the drum. Do not overtighten the strap, particularly when a drum is plastic or fiber. Overtightening the strap might damage (crack or rupture) the drum.

Step 5: Connect the lifter to a hoist or mount it on the forks of your lift truck.

a. Hoist: attach the hoist hook to the shackle. Do not side load the hoist! Side loading the hoist will result in load swing as the lifter lifts off of the ground.

b. Forklift: drive the forks through both fork channels. Drive forward until the forks wedge against the tops and bottoms of the channels.

c. Forklift: Attach the safety strap to the fork carriage. Wrap the strap around the carriage. Fasten the hook to the strap or welded quick link (see **EXPLODED VIEW** on p. 3) **without slack**. The strap must not be able to disconnect from the carriage during use.

Step 6: Raise the drum a few inches above the ground. Watch the drum and lifter for approximately 5 seconds to be certain that the drum is secure. If the strap must be tightened, lower the lifter to the ground and then tighten the strap.

Step 7: Transport the drum to the desired location.

a. **Overhead hoist:** Lift the drum ~5-6 inches above the ground. Stand behind the drum. Grasp the handle welded to the back of the cradle. Carefully direct the lifter to the desired location.. Minimize drum swing by moving the hoist **slowly**.



Continued on following page (5)

- b. **Forklift:** drive slowly, particularly while turning. Reduce speed during all turns. Apply the brakes gradually. The lifter should not slide towards the tip of the forks

Step 8: Before lowering the drum, make sure that it is not swinging, spinning, etc. Slowly lower the drum until there is slack in the hoist cable/chain or the forks are loose inside the fork channels. Disconnect the lifter from the hoist, or demount the lifter from the forklift. Loosen the ratchet strap by pulling up on the release lever. Pull as much strap off of the spool as necessary to unhook the strap from the frame.

RECORD OF SATISFACTORY CONDITION

Record the condition of the lifter before putting it into service. Measure the length and width of the shackle (part no. 08-145-010). Include a width measurement of the mouth of the shackle, i.e. the area that receives the shackle pin. Record your measurements. Extend and retract the ratchet strap. Describe the amount of force necessary to operate the ratchet. Thoroughly photograph the unit from multiple angles. Include close range photos of all labeling, the lifting shackle and shackle pin, the fork channels, the ratchet and ratchet strap, safety strap and hook, and welds. Collate all photographs and writings into a single file. Mark the file appropriately to identify it. The file provides a record of the device in satisfactory condition. Compare the results of all **INSPECTIONS** (see below) to this **RECORD** to determine whether the unit is in satisfactory condition. If the lifter is not in satisfactory condition, repair it before returning it to service. Purely cosmetic changes, like damaged paint/powdercoat, do not constitute changes from satisfactory condition. However, touchup paint should be applied to all affected areas as soon as cosmetic damage occurs to prevent rusting and corrosion. If left unaddressed, rusting/corrosion will alter the lifter from satisfactory condition and could make it unsafe to use.

LOAD TESTS

After creating a **RECORD OF SATISFACTORY CONDITION** and before using the lifter for the first time, a qualified person should conduct a load test. The test load should be 125% of the rated load of the lifter. The rated load (capacity) is 1,000 lb. (454.5kg) of so the test load should be 1,250 pounds (568.2kg). Attach the unit to an appropriately rated overhead lifter. Raise the unit until it is suspended. Leave the unit suspended for a few minutes. Return it to the ground and unload it. Perform a **Monthly Inspection** as described in **INSPECTIONS AND MAINTENANCE** (below). The lifter must undergo load testing immediately after it is repaired, modified, or altered.

INSPECTIONS & MAINTENANCE

Inspection procedures are included in the most current revision of ASME B30.20 and ANSI B56.1. As stated above in the **NATIONAL STANDARDS** section, Vestil recommends that you acquire a copy of the most recent revision of each standard. Apply all use and maintenance/care instructions in the standards. Vestil also recommends that you contact your local occupational safety and health authority to determine if any laws, regulations, codes, ordinances, etc. apply inspection requirements to products like this drum mover.

Inspections and repairs should only be performed by qualified persons. Compare the results of each inspection to the **RECORD OF SATISFACTORY CONDITION** (the "RECORD"). Do not use the lifter unless all parts are in satisfactory condition. Replace parts that are not in satisfactory condition before using the lifter again. **DON'T GUESS! If you have any questions about the condition of your lifter, contact the TECHNICAL SERVICE department.** The phone number is provided on the cover page of this manual. Never make temporary repairs of damaged or missing parts. Only use manufacturer-approved replacement parts. Deformities, cracks, and severe wear of the lifting arm or main body requires immediate replacement of the entire unit.

Every lift

Look for dirt or other surface debris. Clean the surfaces.

Monthly Inspections

At least once per month a qualified person must perform the following inspections. Written reports should be prepared for every monthly inspection including inspections following **LOAD TESTS**.

1. Load shackle and shackle pin: Examine the shackle and shackle pin for damage including significant wear, warping, cracks, or deformation. Measure the throat opening of the shackle. Compare it to the measurements in the **RECORD**. The throat opening should not be 15 percent or more in excess of normal throat opening or be twisted more than 10° from the plane of the unbent shackle.
2. Ratchet and ratchet strap: Confirm that the ratchet works properly by moving the handle back-and-forth. The release lever should automatically engage the teeth on the spool to prevent the strap from unwinding. Pull the release lever and unwind most of the strap. Check the strap for damage, such as cuts, tears, burns.
3. Frame, cradle, fork channels: Check welds and frame for breaks and severe rusting/corrosion. Remove rust/corrosion with a brush or steel wool. Clean the area and apply touchup paint. The frame should be square and rigid. Examine the frame around the hook slot and hole for the shackle pin for elongations, warps, etc.
4. Make a dated record of the inspection. Indicate whether each component inspected is in normal condition. Describe repairs, adjustments and/or replacements. Only install manufacturer-approved replacement parts.

LIMITED WARRANTY

Vestil Manufacturing Corporation (“Vestil”) warrants this product to be free of defects in material and workmanship during the warranty period. Our warranty obligation is to provide a replacement for a defective, original part covered by the warranty after we receive a proper request from the Warrantee (you) for warranty service.

Who may request service?

Only a warrantee may request service. You are a warrantee if you purchased the product from Vestil or from an authorized distributor AND Vestil has been fully paid.

Definition of “original part”?

An original part is a part used to make the product as shipped to the Warrantee.

What is a “proper request”?

A request for warranty service is proper if Vestil receives: 1) a photocopy of the Customer Invoice that displays the shipping date; AND 2) a written request for warranty service including your name and phone number. Send requests by one of the following methods:

US Mail	Fax	Email
Vestil Manufacturing Corporation 2999 North Wayne Street, PO Box 507 Angola, IN 46703	(260) 665-1339 <u>Phone</u> (260) 665-7586	info@vestil.com Enter “Warranty service request” in subject field.

In the written request, list the parts believed to be defective and include the address where replacements should be delivered. After Vestil receives your request for warranty service, an authorized representative will contact you to determine whether your claim is covered by the warranty. Before providing warranty service, Vestil will require you to send the entire product, or just the defective part (or parts), to its facility in Angola, IN.

What is covered under the warranty?

The warranty covers defects in the following original, dynamic parts: motors, hydraulic pumps, motor controllers, and cylinders. It also covers defects in original parts that wear under normal usage conditions (“wearing parts”), such as bearings, hoses, wheels, seals, brushes, and batteries.

How long is the warranty period?

The warranty period for original dynamic components is 90 days. For wearing parts, the warranty period is 90 days. Both warranty periods begin on the date Vestil ships the product to the Warrantee. If the product was purchased from an authorized distributor, the periods begin when the distributor ships the product. Vestil may, at its sole discretion, extend a warranty period for products shipped from authorized distributors by up to 30 days to account for shipping time.

If a defective part is covered by the warranty, what will Vestil do to correct the problem?

Vestil will provide an appropriate replacement for any *covered* part. An authorized representative of Vestil will contact you to discuss your claim.

What is not covered by the warranty?

The Warrantee (you) is responsible for paying labor costs and freight costs to return the product to Vestil for warranty service.

Events that automatically void this Limited Warranty.

- Misuse;
- Negligent assembly, installation, operation or repair;
- Installation/use in corrosive environments;
- Inadequate or improper maintenance;
- Damage sustained during shipping;
- Collisions or other accidents that damage the product;
- Unauthorized modifications: Do not modify the product IN ANY WAY without first receiving written authorization from Vestil.

Do any other warranties apply to the product?

Vestil Manufacturing Corp. makes no other express warranties. All implied warranties are disclaimed to the extent allowed by law. Any implied warranty not disclaimed is limited in scope to the terms of this Limited Warranty. Vestil makes no warranty or representation that this product complies with any state or local design, performance, or safety code or standard. Noncompliance with any such code or standard is not a defect in material or workmanship.

