

COMPATIBILITY & INSTALLATION INSTRUCTIONS WATCHMAN® IV LOCK SYSTEM

TOOLS REQUIRED

Ratchet Wrench with 1/2" Socket or 1/2" Combination Wrench

COMPATIBILITY

This lock system is designed to be used with a Master Lock® No. 1, Master Lock No. 5 or American Lock® No. 50, or equivalent sized lock. If you are using a padlock not listed above, it is your responsibility to make sure the lock mechanism is working correctly. Padlocks must meet ALL requirements listed in Figure 2 or Figure 3.

* Master Lock® is a U.S. registered trademark of Master Lock Company. American Lock® is a U.S. registered trademark of American Lock Company.

INSTRUCTIONS

- 1 Unbolt the padlock tab using a 1/2" socket or wrench. Place the Latch Rod in "LATCHED" position as shown in Figure 1. Install 5/16" x 3/4" Carriage Bolt into correct hole in Padlock Tab, install Padlock shackle into Padlock tab then secure to Lock Box using Locking Nut. See Figure 2 or 3.

TEST THE FUNCTION OF YOUR PADLOCK

(If you have installed one of the padlocks listed above per the instructions, you do not have to perform this test.)

- 2 Before locking the padlock, open cover and slide Latch Rod into "OPEN" position. If you are **unable** to move Latch Rod fully to "OPEN" position, the lock you have installed is not acceptable for use, see note above.
- 3 Close the cover, move Latch Rod to "LATCHED" position. Lock padlock and try to move the Latch Rod to "OPEN" position and open the cover. If you are **able** to move Latch Rod fully to "OPEN" position and open the cover, the lock you have installed is not acceptable for use, see note above.

Figure 1.
FRONT CORNER OF BOX

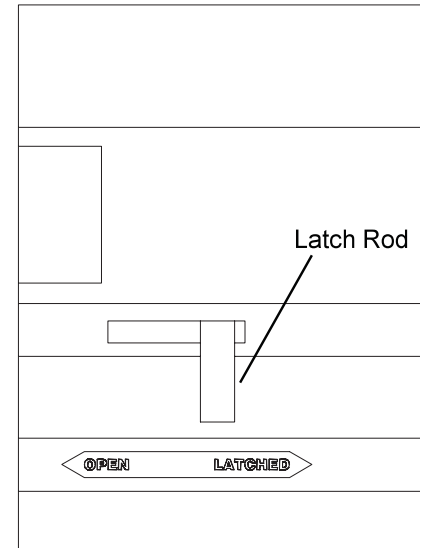


Figure 2.
For Installation of
Master Lock No. 5, American Lock No. 50
or equivalent size

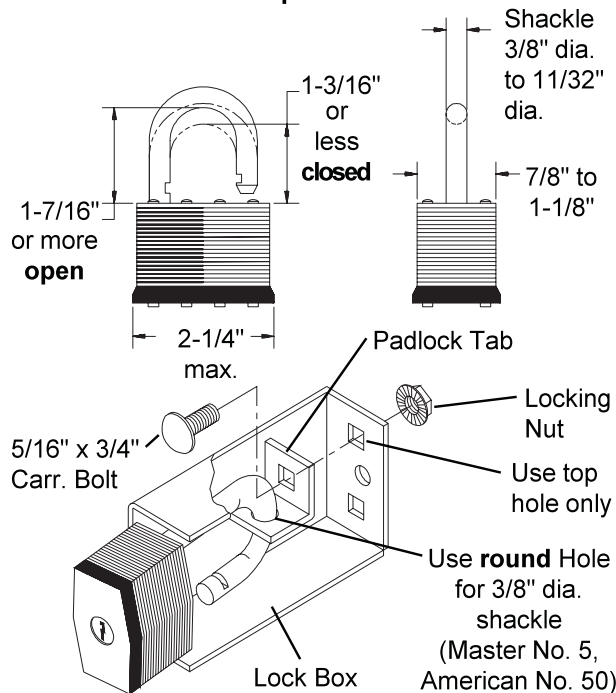


Figure 3.
For Installation of
Master Lock No. 1 or
equivalent size

