



MAXIMIZER™

The new Maximizer™ cleaning tools from Rubbermaid Commercial Products help workers save time by reducing steps in a task, reducing the time of a step and reducing user effort. Engineered to last and designed to perform in a variety of common spaces, Maximizer™ cleaning tools deliver fast, consistent results shift after shift.

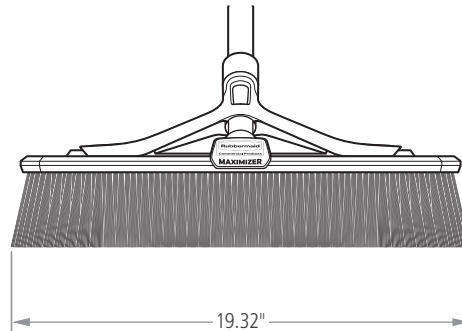
Features and Benefits:

- Angled sides capture more debris per stroke* (vs. standard RCP push brooms)
- Polypropylene foam block resists cracking, splitting, warping and rotting
- Lightweight steel handle with supporting yoke holds up to repeated use
- Molded comfort handle reduces strain
- Built-in hang hole for convenient storage
- Available in two sizes: 18 in. and 36 in

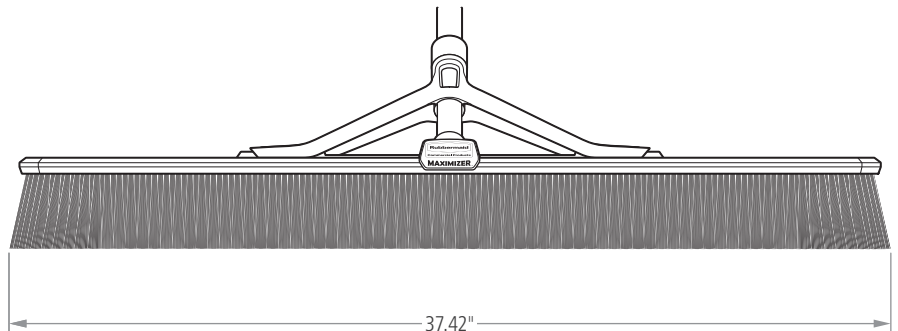
Two Bristle Type Options:

- Multipurpose – Durable polypropylene bristles can be used on smooth and rough surfaces, effectively sweeping different debris types
- Fine – PVC bristles remove fine dirt and debris on smooth, polished surfaces

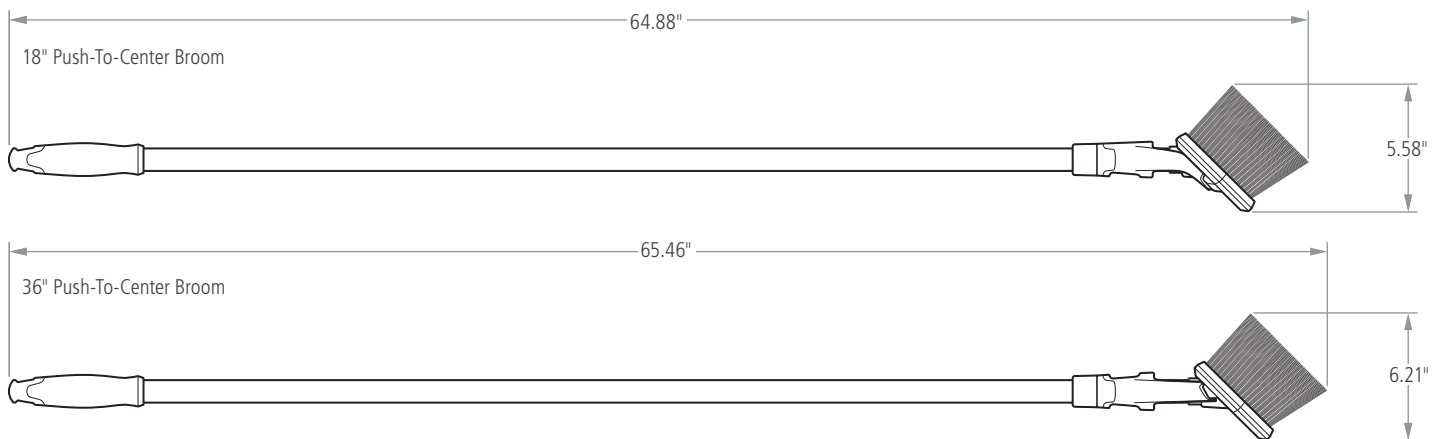
PUSH-TO-CENTER BROOM



18" Push-To-Center Broom



36" Push-To-Center Broom



Unit Packaged Dimensions

SKU #	DESCRIPTION	COLOR	LENGTH IN	WIDTH IN	HEIGHT IN	WEIGHT LB	PACK SIZE
2018727	MAXIMIZER™ PUSH-TO-CENTER BROOM - 18" MP	BLACK	58.13	8.25	7.75	2.50	6
2018728	MAXIMIZER™ PUSH-TO-CENTER BROOM - 36" MP	BLACK	58.13	8.25	8.75	3.30	6
2018729	MAXIMIZER™ PUSH-TO-CENTER BROOM - 18" FINE	GRAY	58.13	8.25	7.75	2.50	6
2018730	MAXIMIZER™ PUSH-TO-CENTER BROOM - 36" FINE	GRAY	58.13	8.25	8.75	3.30	6

