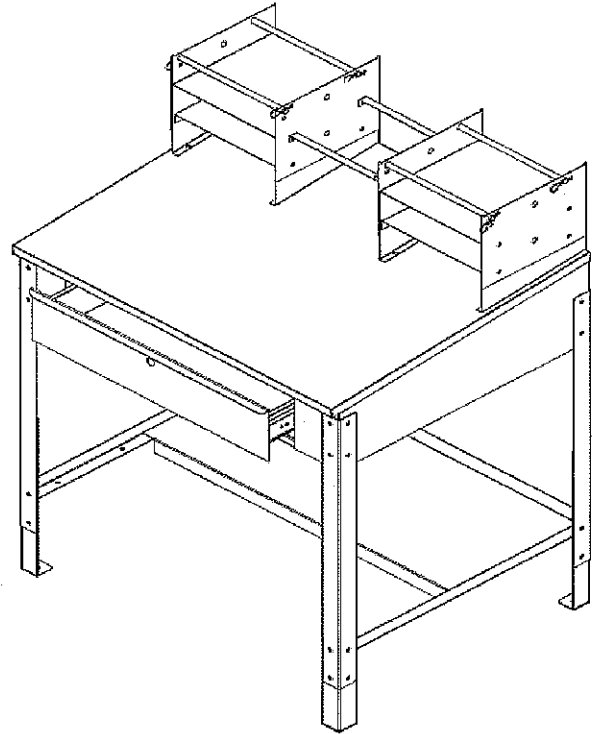
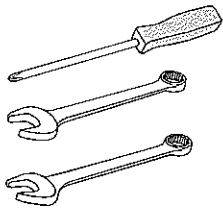


SHOP-DO Open Shop Desk



TOOLS NEEDED



Phillips Screwdriver

10 mm Wrench

7 mm Wrench

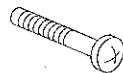
PARTS

 Small Bolt x 4

 Small Nut x 4

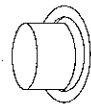
 Small Washer x 4

 Small Lock Washer x 4

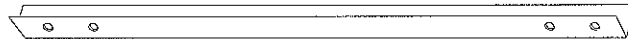
 Large Bolt x 44

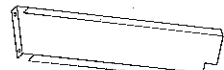
 Large Nut x 44

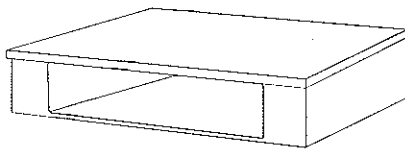
 Drawer Lock x 1

 Plastic Cable Ring and Cover x1

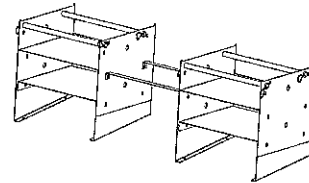
 Adjustable Foot x 4

 Leg x 4

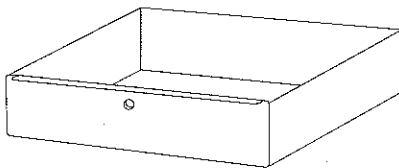
 Drawer Track x 2



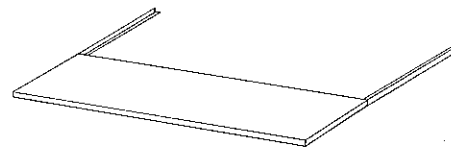
Desk Top x 1



Top Shelf x 1



Drawer x 1



Bottom Shelf x 1

ASSEMBLY

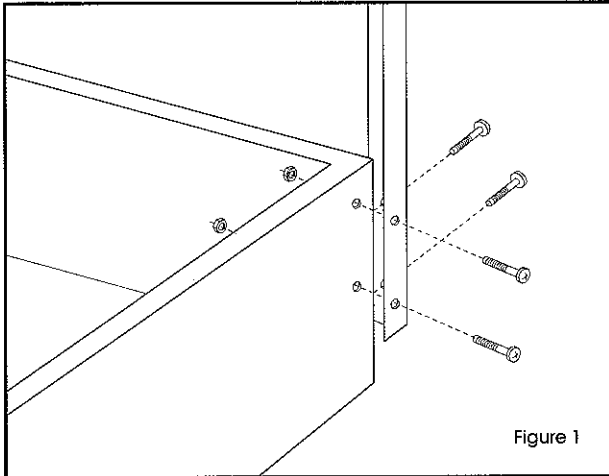


Figure 1

LEG ASSEMBLY

1. Place desk top on a smooth, non-marring surface with top side facing down.
2. Attach legs using 4 large bolts and 4 large nuts on each leg. (See Figure 1)



NOTE: Make sure all 4 leg holes are lined up with desk top holes before assembling.

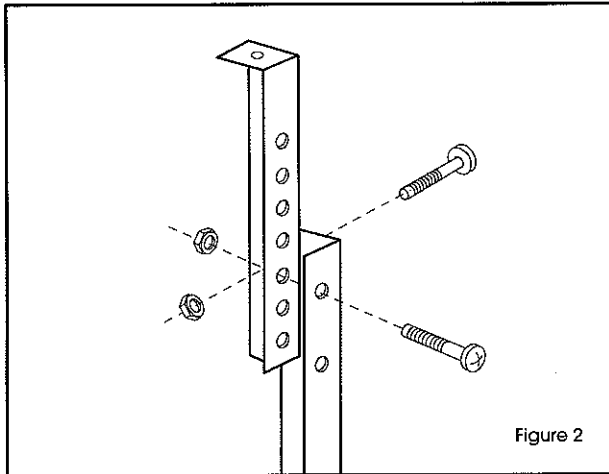


Figure 2

3. Attach adjustable feet to inside of legs at desired height. Only bolt the top 2 holes on each leg using 2 large bolts and 2 large nuts. (See Figure 2)

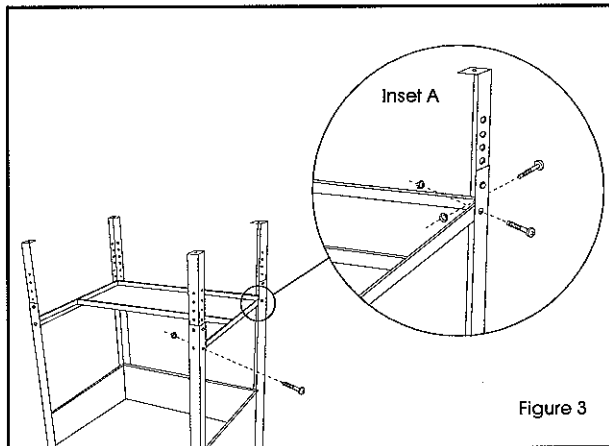


Figure 3

4. Attach bottom shelf to legs. Bolt shelf to legs using 6 large bolts and 6 large nuts. (See Figure 3)



NOTE: Insert bolts through legs, adjustable feet, and shelf. (See Figure 3, Inset A)

ASSEMBLY CONTINUED

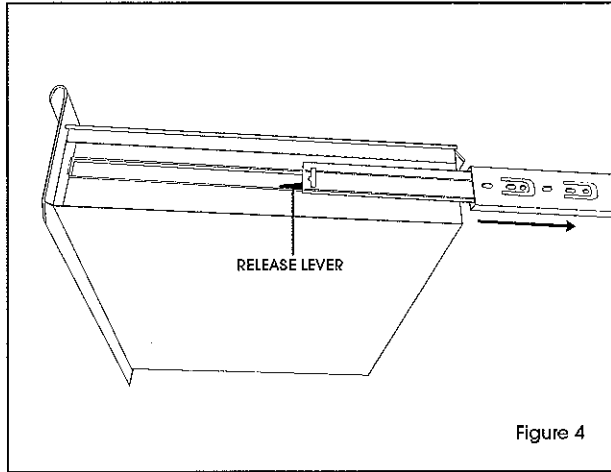


Figure 4

DRAWER ASSEMBLY

1. Remove drawer slides from the outsides of the drawer. Press the drawer slide release lever to remove slides completely. (See Figure 4)



NOTE: Depending on the side, press release lever either down or up to remove slides.

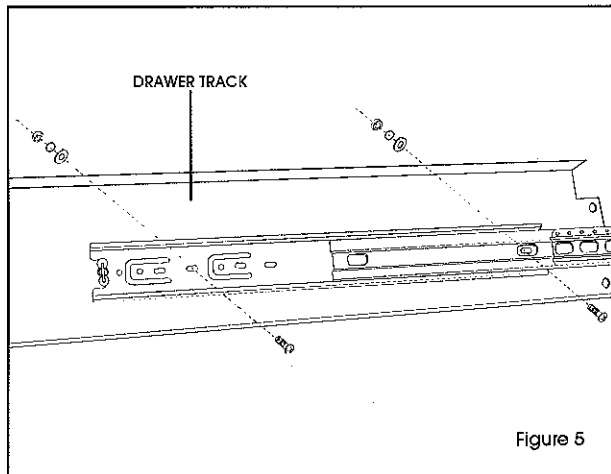


Figure 5

2. Attach drawer slides to drawer tracks using 2 small bolts, washers, lock washers and nuts. Extend drawer slide completely to attach to track. Insert center bolt first to align front bolt hole. (See Figure 5)

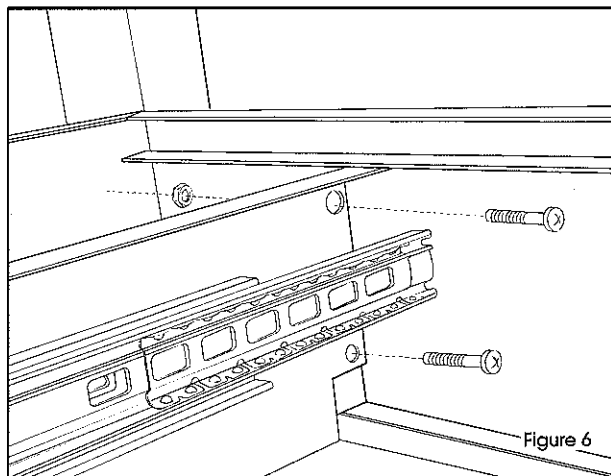


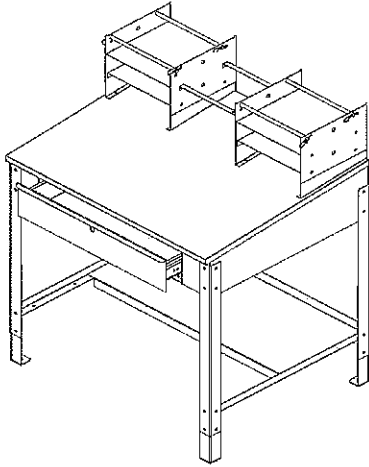
Figure 6

3. Insert drawer tracks into inside of desk top, aligning front and back bolt holes. Drawer slides must face inward. Use 4 large bolts and 4 large nuts to assemble each drawer track to the desk top. (See Figure 6)



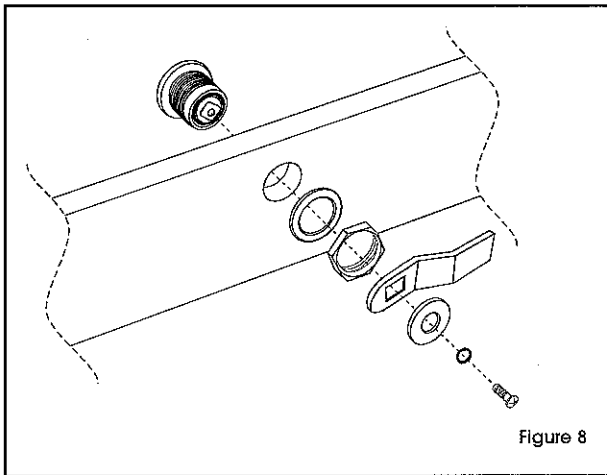
NOTE: Lip should face the bottom of desk.

ASSEMBLY CONTINUED



TOP SHELF ASSEMBLY

1. Set desk top assembly upright and recheck all bolts and nuts for tightness.
2. Place top shelf on desk top and assemble with 6 large bolts and 6 large nuts. (See Figure 7)
3. Insert plastic cable ring and cover into the top shelf from the front of the desk.
4. Insert drawer into desk top.



LOCK ASSEMBLY

1. Disassemble drawer lock and reassemble lock on drawer. (See Figure 8)