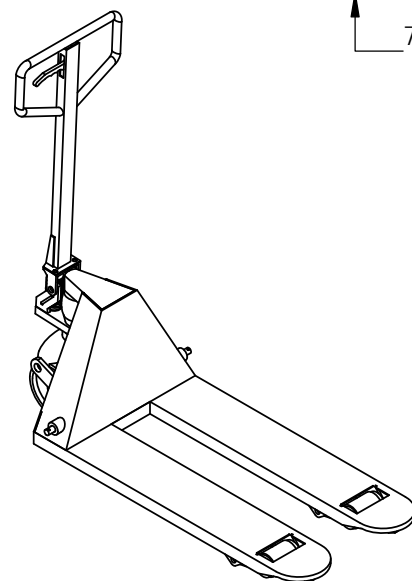
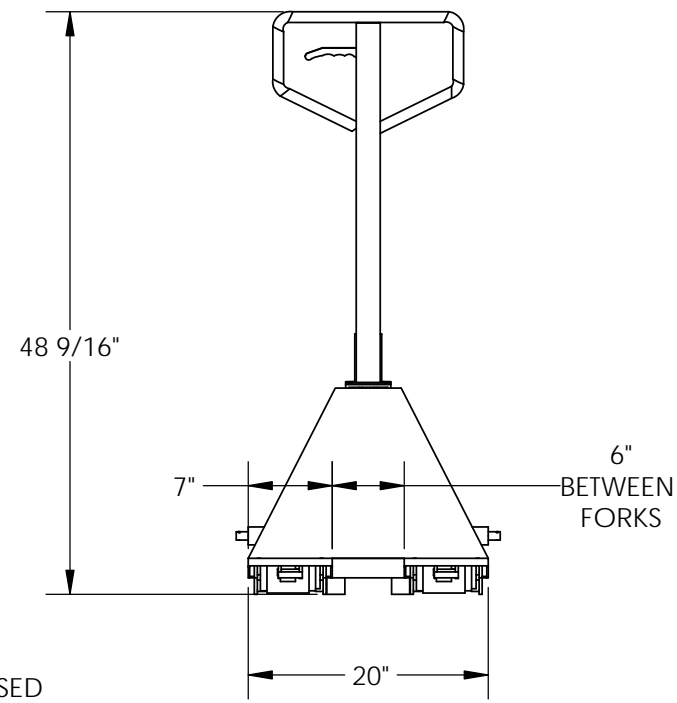
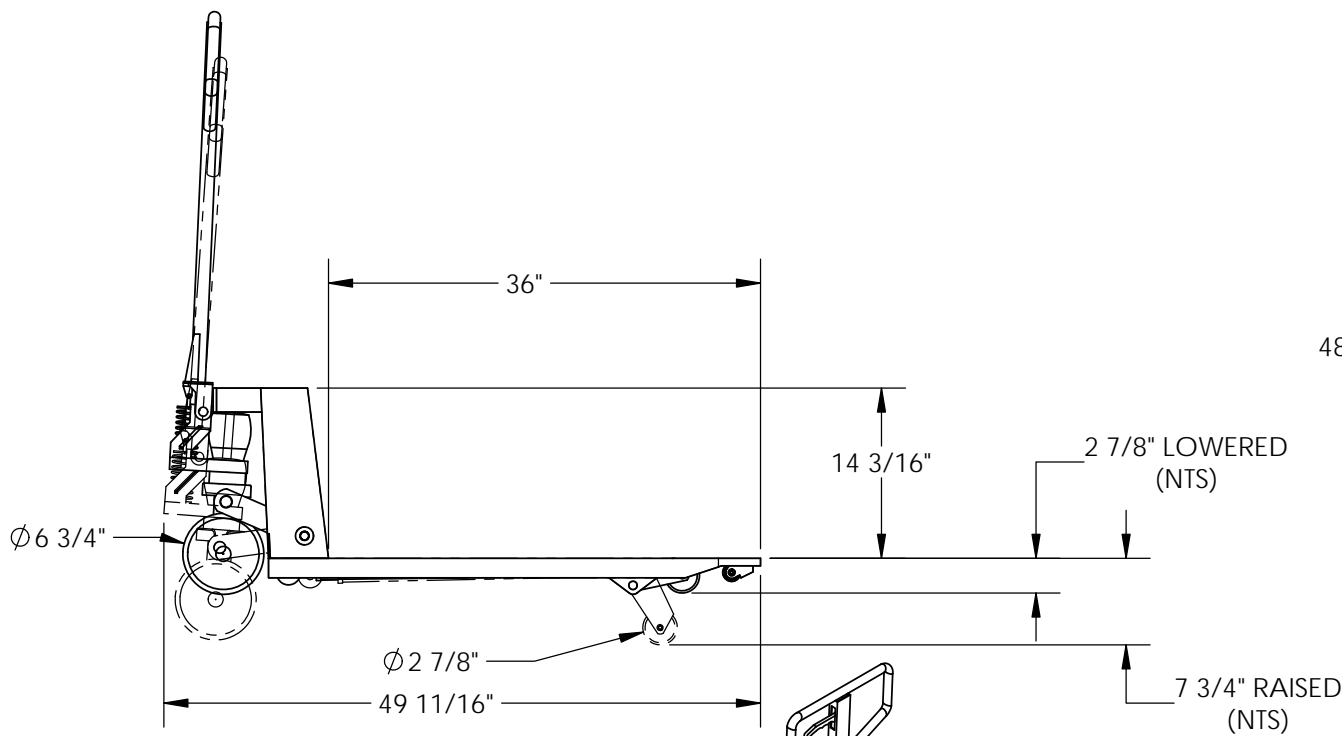


PALLET TRUCK - PM5-2036

APPROX WEIGHT: 174.37 lbs.
 DOES NOT INCLUDE WEIGHT OF POWER OR PACKAGING!!!

*** ANY ADDITIONS, DELETIONS, OR OMISSIONS MUST BE CORRECTED ON THIS DRAWING AS THIS DRAWING WILL BE CONSIDERED ALL INCLUSIVE ***

ALL GRAPHICS PROVIDED ARE FOR REFERENCE ONLY. IF CERTAIN DIMENSIONS ARE CRITICAL PLEASE VERIFY THOSE DIMENSIONS WITH YOUR SALESPERSON



STANDARD FEATURES

- MODEL NUMBER IS PM5-2036
- OVERALL WIDTH IS 20"
- USABLE WIDTH IS 20"
- OVERALL LENGTH IS 49 11/16"
- USABLE LENGTH IS 36"
- OVERALL HEIGHT IS 48 9/16"
- MAX CAPACITY IS 5500 LBS

SPECIAL FEATURES

NONE

DIMENSION TOLERANCE ± 1/2"

| | | |
|--|--|-------------|
| A P P R O V A L | I, THE UNDERSIGNED, AGREE THAT THE PRODUCT AS REPRESENTED SATISFIES DESIGN AND DIMENSION REQUIREMENTS. I ALSO ACKNOWLEDGE MY DUTY TO CONFIRM PRODUCT AND INSTALLATION COMPLIANCE WITH ALL APPLICABLE FEDERAL, STATE AND LOCAL REGULATIONS AND STANDARDS. | |
| | ALL SPECIAL UNITS ARE NON-RETURNABLE | |
| | [] As drawn [] As marked | |
| Signed: _____ | | Date: _____ |
| LEAD TIME WILL START UPON RECEIPT OF SIGNED APPROVAL DRAWING | | |

| | |
|---|--|
| FOR INTERNAL USE ONLY PROJECT SIGN OFF | |
| SALES | |
| ENG. | |
| FAB. | |
| POWER | |

| | | |
|----------------------|------------------|------------|
| DISTRIBUTOR'S NAME: | | P.O.# |
| VESTIL MANUFACTURING | | X |
| DRAWN BY: TAL | DATE: 07/22/2014 | W.O.# |
| REFERENCE: X | SCALE: 1:16 | X |
| QUOTED LEAD TIME: X | QUOTE # | FILE NAME: |
| | X | 15-007-137 |