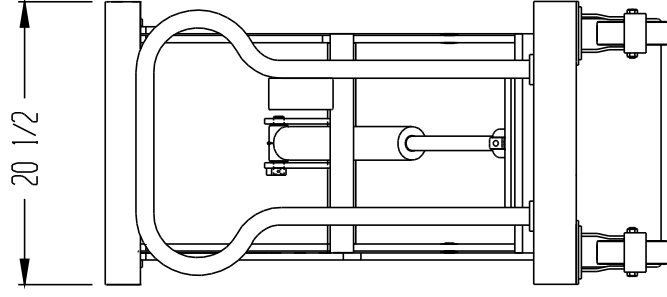
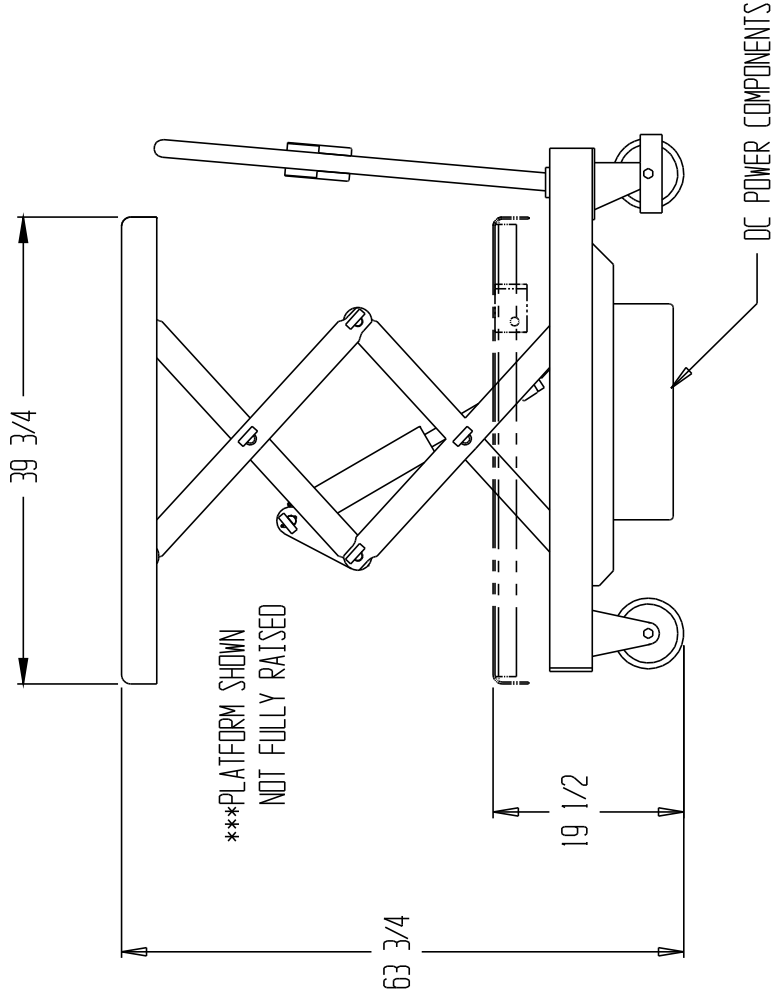


DC POWERED HYDRAULIC ELEVATING CART, CART-1000D-DC



FOR INTERNAL USE ONLY PROJECT SIGN OFF	
SALES	
ENG	
FAB.	
POWER	

STANDARD FEATURES

- MODEL NUMBER: CART-1000D-DC
- CAPACITY: 1,000 LBS.
- PLATFORM WIDTH: 20 1/2"
- PLATFORM LENGTH: 39 3/4"
- PLATFORM RAISED HEIGHT: 63 3/4"
- PLATFORM LOWERED HEIGHT: 19 1/2"
- 5 X 2 CASTERS
- 2 SWIVEL W/SIDE BRAKE
- 2 RIGID

Any additions, deletions or omissions must be corrected on this drawing, as this drawing will be considered all inclusive.

SPECIAL FEATURES

NONE

A P P R O V A L

I, THE UNDERSIGNED, AGREE THAT THE PRODUCT AS REPRESENTED SATISFIES DESIGN & DIMENSION REQUIREMENTS. I ALSO ACKNOWLEDGE MY DUTY TO CONFIRM PRODUCT & INSTALLATION COMPLIANCE WITH ALL APPLICABLE FEDERAL, STATE AND LOCAL REGULATIONS & STANDARDS.

ALL SPECIAL UNITS ARE NON-RETURNABLE

[] As drawn [] As marked

Signed: _____ Date: _____

LEAD TIME WILL START UPON RECEIPT OF SIGNED APPROVAL DRAWING

DISTRIBUTOR'S NAME:

VESTIL MFG

P.O.#: -

W.O.#: -

SALES: -

DATE: -

DRWG./FILE NAME:

SCALE: -

QUOTE #: -

RAISED TIME : 17.5 SECONDS (LOADED) & 11.25 SEC. UNLOADED
 LOWERING TIME: 17.16 SEC. LOADED & 16.16 SEC. UNLOADED
 (TIMES ARE WHEN BATTERY IS AT A FULL CHARGE.)

**SPECIAL UNITS ARE NON-RETURNABLE
 *AVAILABLE AT ADDITIONAL COSTS