

OVERVIEW

The Radial Rocker has an EXTREME load capacity and designed with maximum comfort in mind. The ergonomic design provides maximum comfort using rotational molding technology, while providing a safer rocking radius. The Radial Rocker promotes a calming effect in intense and extreme environments. **Manufactured to ISO Quality Standards in the USA.**

FABRICATION/MATERIAL

Durable, one piece, rotationally molded design for increased strength. Constructed with high impact "no break" polyethylene. No steel or wood components Flame Retardant (as shown passes Cal 133). Test reports available upon request.

COLOR See chart, custom colors available upon request.

WEIGHT 60 lbs.

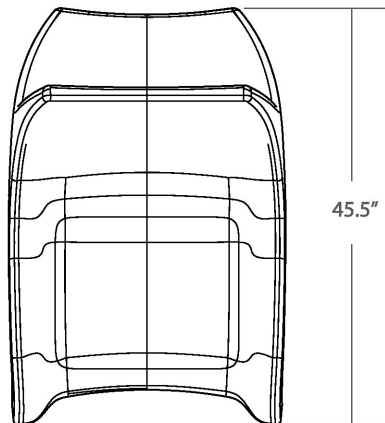
OPTIONS Can be easily filled with sand through optional ballast door on site to weigh down.
Secures with tamperproof screws.

ASSEMBLY N/A

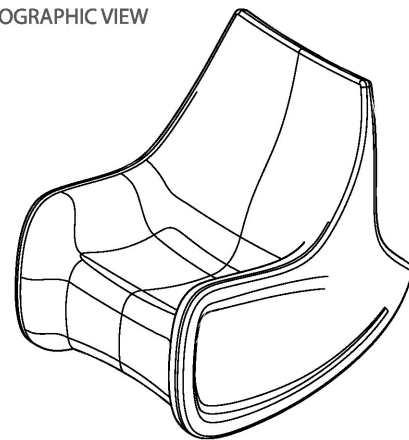
WARRANTY 10 Year Warranty.

MAINTENANCE Easy to clean and maintain with damp cloth. Resistant to stains.

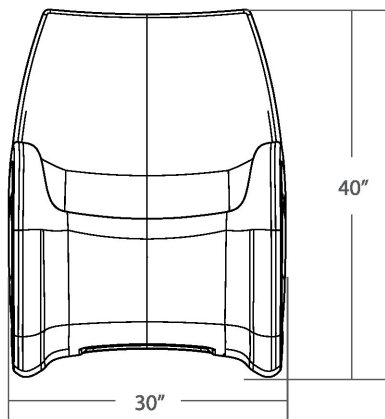
TOP VIEW



ORTHOGRAPHIC VIEW



FRONT VIEW



SIDE VIEW

