

DIVERTER TUB SPOUT



The Right Choice...

TECHNICAL DATA



DESCRIPTION:

1/2" or 3/4" IPS Inlet Zinc Die Cast
On-Body Diverter Tub Spout

CONSTRUCTION:

Brass body
EPDM rubber seal
EPDM o-ring
ABS seal housing

FINISH:

Chrome plated

PACKAGING:

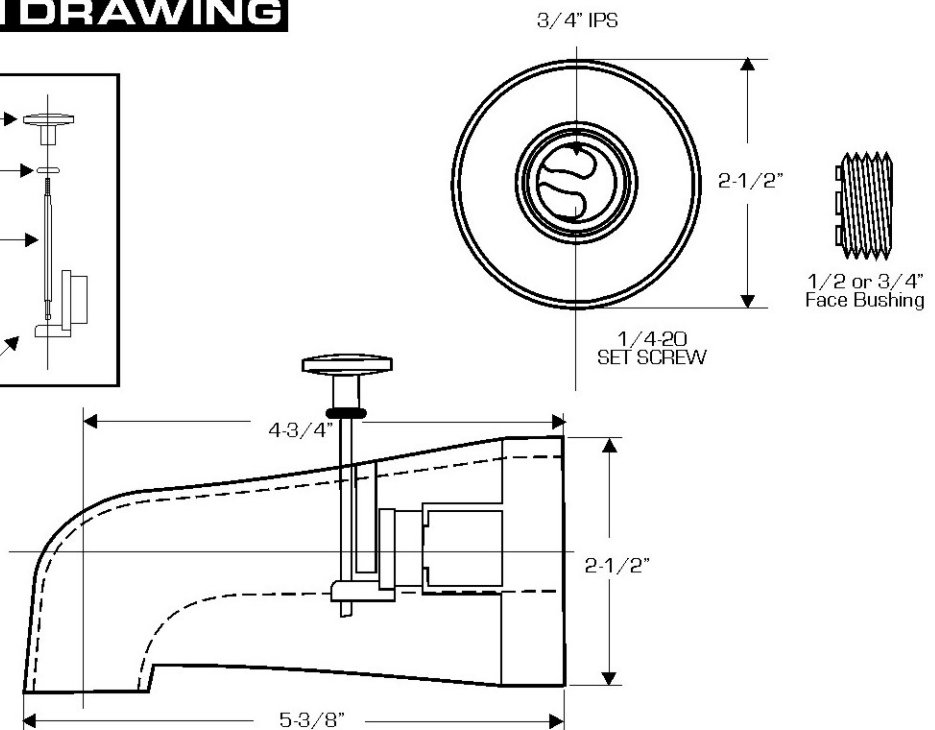
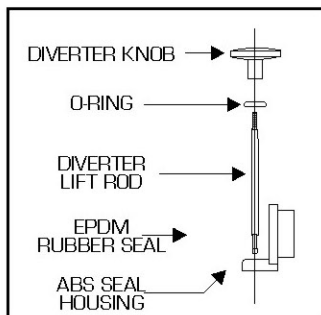
Individually boxed w/ barcode
Inner carton: 1
Master carton: 30

PART#
15081

FINISH
Chrome

Country of origin: China

ROUGH IN DRAWING



ALL DIMENSIONS SHOWN ARE NOMINAL