

# SHOWER ARM



PART#  
15051



The Right Choice...

## TECHNICAL DATA

**DESCRIPTION:**

1/2" x 6" shower arm

**CONSTRUCTION:**

Zinc die-cast w/ 1/2" MPT tapered threads on both ends. Wall thickness 1.2mm

**FINISH:**

Chrome plated - .025 mil chrome

**PACKAGING:**

Poly bag w/ barcode

Inner carton: 10

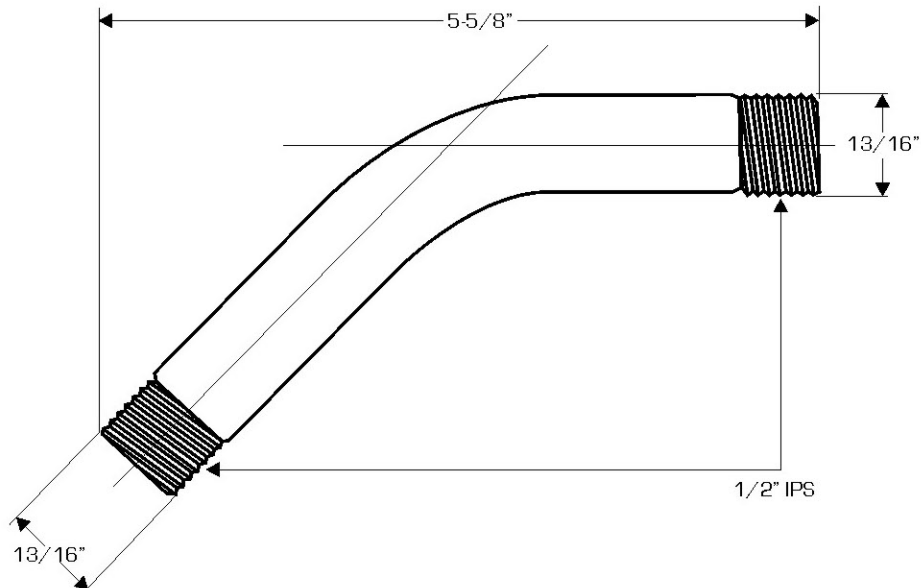
Master carton: 100

**BRAND:** EZ-FLO



Country of origin: China

### ROUGH IN DRAWING



ALL DIMENSIONS SHOWN ARE NOMINAL