

SINGLE CONTROL TUB & SHOWER



The Right Choice...

TECHNICAL DATA

DESCRIPTION: Pressure balance Ceramic Disc lever handle tub & shower kit

CONSTRUCTION: Brass lever handle, slip-on diverter tub spout, ceramic disc cartridge, Plastic oversized massage shower head, Metal shower arm & flange, standard brass escutcheon

FINISH: Triple chrome plated-white/blue shower head

FLOW RATE: Shower head flows at 2.5 G.P.M. at 80 PSI. Bath spout flows at 7.0 G.P.M. at 80 PSI

CODE APPROVALS:

UPC - CSA approved

PACKAGING:

Display boxed w/ barcode

Inner carton: 6

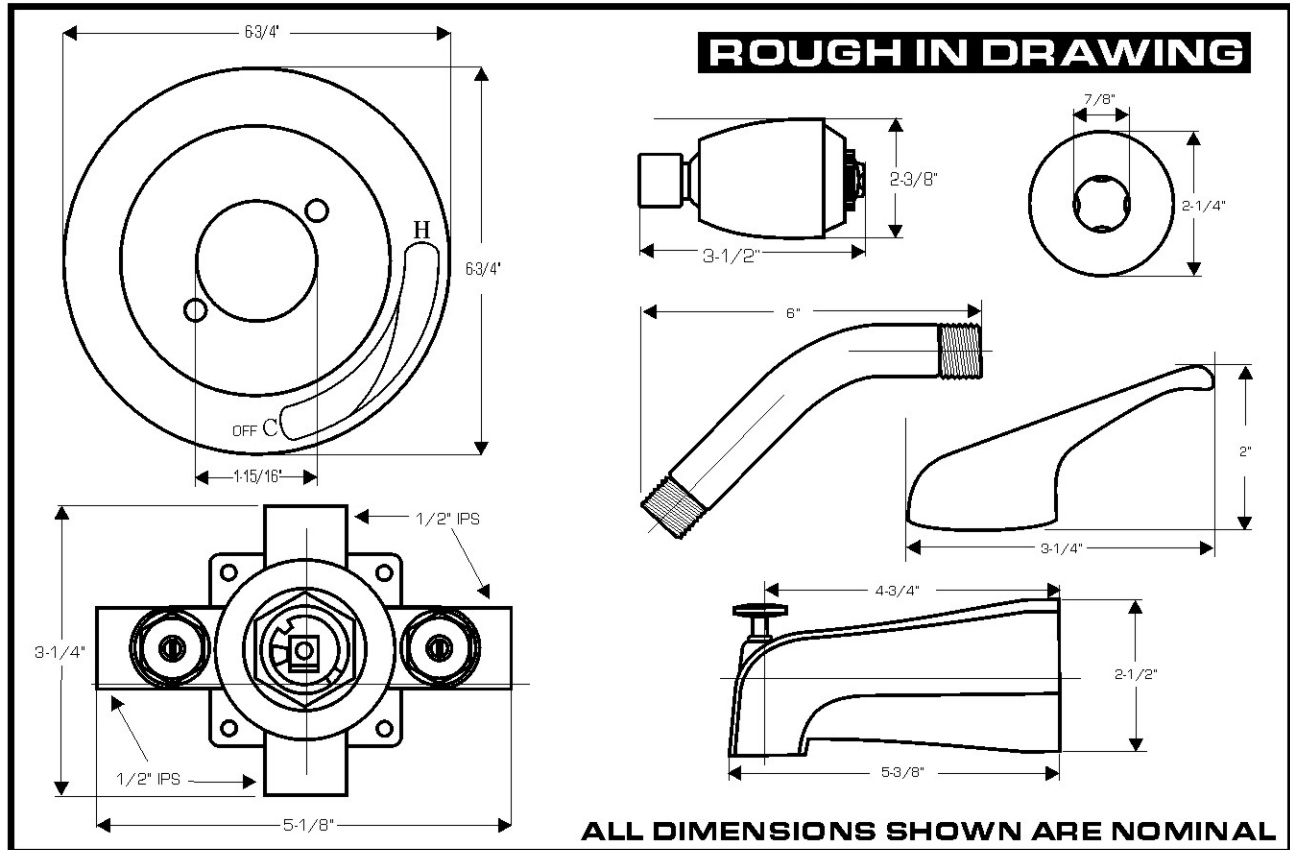
Master carton: 12

BRAND: EZ-FLO®



PART#	DESCRIPTION	FINISH	HANDLE
10066	tub & shower	chrome	loop

Country of origin: Taiwan



ALL DIMENSIONS SHOWN ARE NOMINAL

Meets requirements for both A.D.A. and ANSI A117.1
 Certified