

CERAMIC

LAVATORY

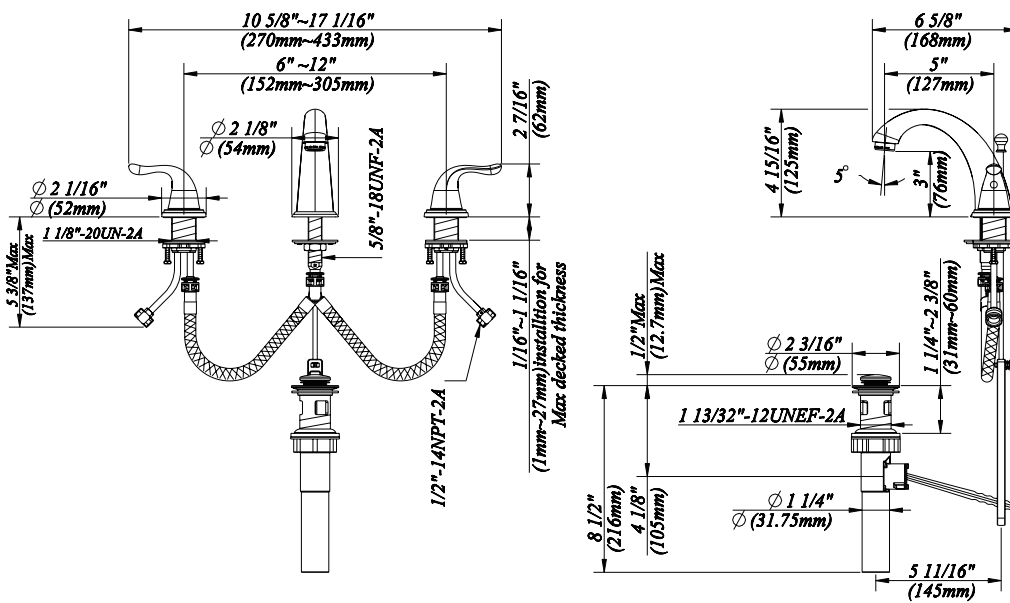
Features:

- Metal lever handles
- Water saving aerator
- Ceramic cartridges
- Brass pop-up



10192
Chrome Finish
With Brass Pop-up

10193
Brushed Nickel Finish
With Brass Pop-up

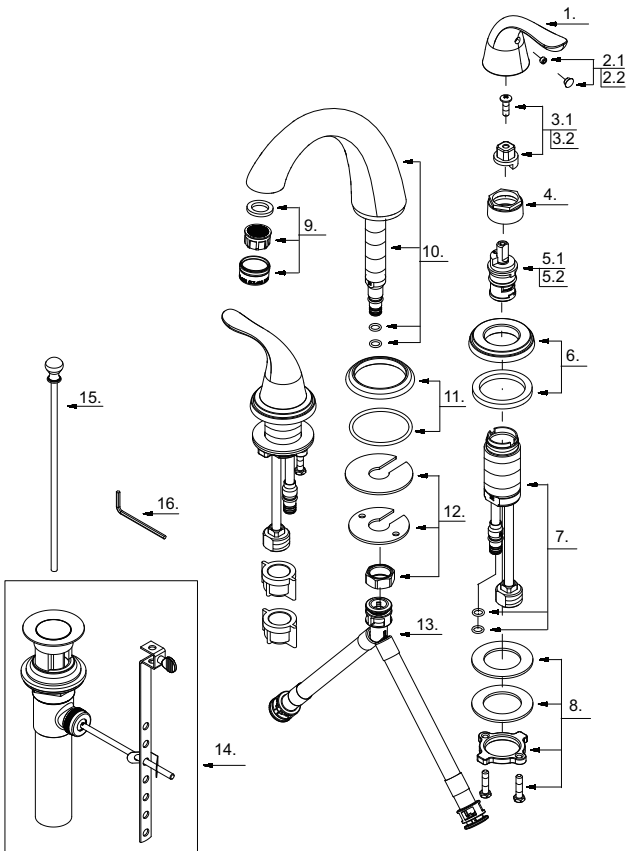


CERAMIC

LAVATORY

Features:

- Metal lever handles
- Water saving aerator
- Ceramic cartridges
- Brass pop-up



1	Metal Handle
2.1	Index Button-Cold
2.2	Index Button-Hot
3.1	Handle Adaptor-Cold
3.2	Handle Adaptor-Hot
4	Retainer Nut
5.1	Ceramic Disc Cartridge-Cold
5.2	Ceramic Disc Cartridge - Hot
6	Handle Trim Ring
7	Handle Valve Body
8	Mounting Hardware Assembly
9	Aerator
10	Spout Assembly
11	Spout Trim Ring
12	Mounting Hardware
13	Supply Hose
14	Pop-up Assembly
15	Lift Rod
16	Hex Wrench (H2.5 * 19 mm L * 53 mm L)



10192
Chrome Finish
With Brass Pop-up

10193
Brushed Nickel Finish
With Brass Pop-up

