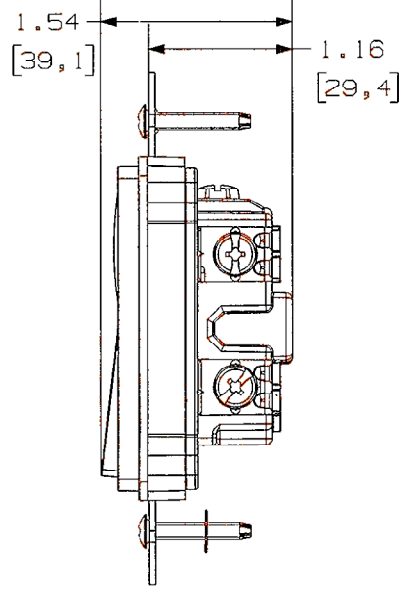
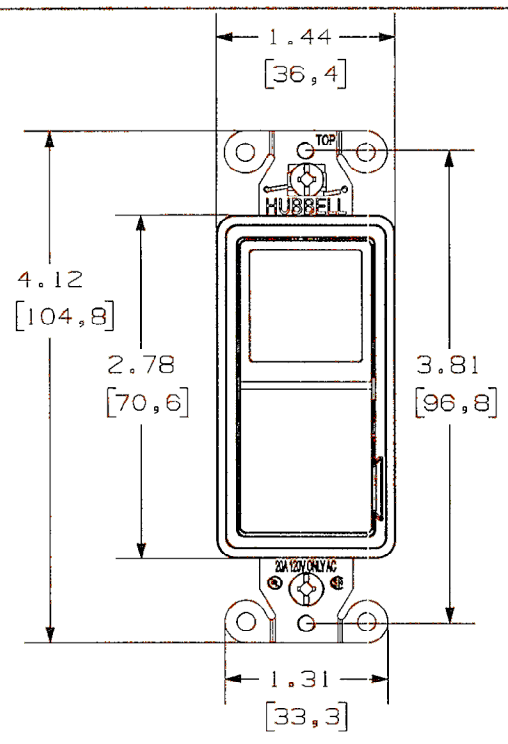
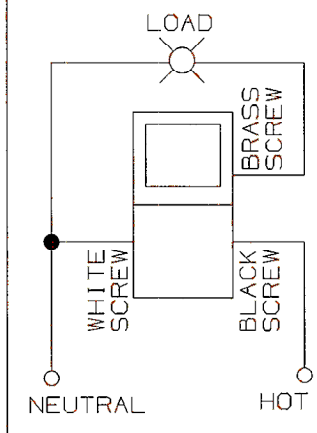


DIMENSION SHEET FOR CAT. NO. **M12350** | 1
 REPAIRABLE NON-REPAIRABLE

M12350 | 1



WIRING DIAGRAM



LIST OF PARTS		
DESCRIPTION	MATERIAL	FINISH
ROCKER	THERMOPLASTIC	
TOP HOUSING	THERMOPLASTIC	
BASE	THERMOPLASTIC	
BUMPER	ELASTOMER	
MOUNTING SCREW	STEEL	Zn PLATE
STRAP	STEEL	Zn PLATE
BRUSH	BRASS ALLOY	
TERMINALS	BRASS ALLOY	
BRUSH ACTUATOR	STEEL	Zn PLATE
NEUTRAL SCREW	STEEL	Zn PLATE
HOT-1 SCREW	STEEL	BLACK FINISH
HOT-2 SCREW	STEEL	BRASS PLATE
GROUND SCREW	STEEL	GREEN FINISH

NOTES:
 1. THE BASE COLOR: BLACK; THE TOP & ROCKER COLOR SEE TABLE PER CAT#.
 2. ALL DIMENSIONS ARE IN INCHES [mm].

CATALOG No.	DESCRIPTION	RATING	COLOR
DS120NLAL	SWITCH, DECO, SP 20A 120V, NIGHT LIGHT	20A, 120V	ALMOND
DS120NLBK			BLACK
DS120NLBR			BROWN
DS120NLGY			GRAY
DS120NLIV			IVORY
DS120NLLA			LIGHT ALMOND
DS120NLOW			OFFICE WHITE
DS120NLRD			RED
DS120NLWH			WHITE

1	NEW RELEASE PER DCN # 19056	DL	02/26/13
SYM	REVISIONS	APP	DATE

THE DESIGN AND DIMENSIONS OF THE PRODUCT SHOWN ON THIS DRAWING ARE SUBJECT TO CHANGE WITHOUT NOTICE

TITLE
NIGHT LIGHT DECO SWITCH

TOLERANCES UNLESS OTHERWISE SPECIFIED .XX : ± .01 .XXX : ± .005 ANGLES : ± 2°	WIRING DEVICE-KELLEMS HUBBELL INCORPORATED SHELTON, CT	
	DR. BY Y. X	APP. BY S. M
	TR. BY F. Z	SCALE 1:1
	CHK. BY C. Z	DATE 10/25/12

CODE 74545

M12350 | 1