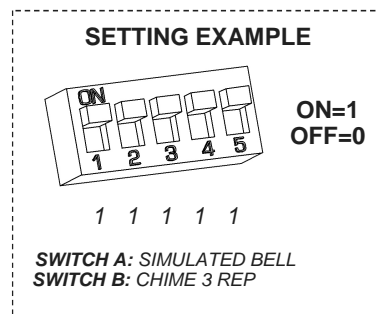
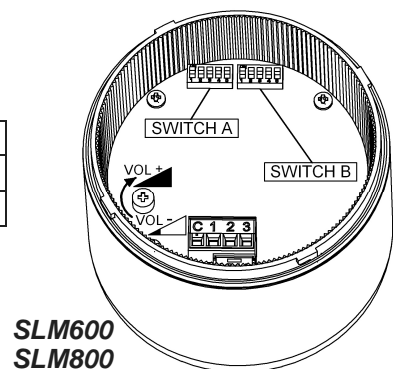


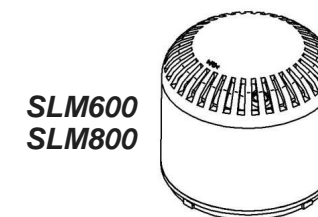
ATTENTION	Disconnect power before servicing
ATENCIÓN	Desconecte la corriente antes de abrir el producto
ATTENTION	Débranchez l'alimentation avant de toute intervention sur le produit



INSTALLATION AND APPLICATION INSTRUCTIONS
INSTRUCCIONES DE INSTALACIÓN Y EMPLEO - INSTRUCTIONS D'INSTALLATION ET D'UTILISATION



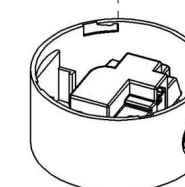
E162485
AUD. AND VIS. APPLIANCE
ENCLOSURE TYPE 3R
FOR INDOOR/OUTDOOR



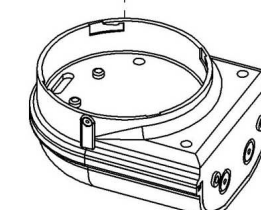
SLM600
SLM800



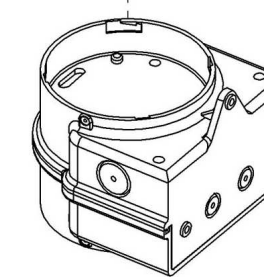
SLMBS-012-024



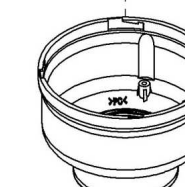
SLMBD-012-024
SLMBD-PNP-012-024
SLMBD-120-240



SLMBW-012-024
SLMBW-PNP-012-024
SLMBW-120-240



SLMBT-012-024
SLMBT-PNP-012-024
SLMBT-120-240



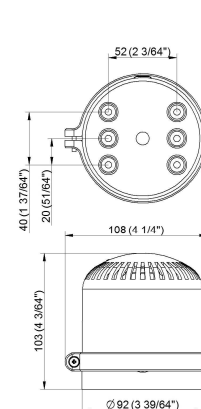
SLMBP-012-024
SLMBP-PNP-012-024
SLMBP-120-240

A

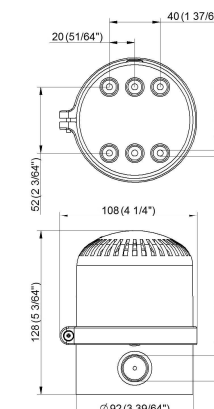
SWITCH A SOUNDS						
N°	STONE	STONE TYPE	F[Hz]	TIMES	DESCRIPTION	DIP SWITCH
1	BI-TONE		600 - 700	0.5s/0.5s	STANDARD	0 0 0 0 0
2	MULTI-TONE		1000 - 1700	CICLE 0.25s	STANDARD	1 0 0 0 0
3	MODULATED		1000 - 1700	CICLE 0.8s	STANDARD	0 1 0 0 0
4	BI-TONE		440 - 560	565s/565s	STANDARD - EVACUATION	1 1 0 0 0
5	LINEAR		300	-	GENERAL PURPOSE	0 0 1 0 0
6	LINEAR		660	-	SWEDISH (ALL CLEAR)	1 0 1 0 0
7	LINEAR		750	-	GENERAL PURPOSE	0 1 1 0 0
8	LINEAR		2850	-	GENERAL PURPOSE	1 1 1 0 0
9	SWEEP		500 - 1200	3.5s ON/0.5s OFF	NETHERLANDS-NEN2575:2000	0 0 0 0 1
10	SWEEP		500 - 1200	0.5s ON/0.5s OFF X 3 1.5s OFF	AUSTRALIA AS1670	1 0 0 1 0
11	SWEEP		800 - 970	0.5s ON/0.5s OFF X 3 1.5s OFF	ISO 8201	0 1 0 1 0
12	INTERMITTENT		420	0.625s ON/0.625s OFF	AUSTRALIA AS1670 ALERT TONE	1 1 0 1 0
13	INTERMITTENT		660	0.15s ON/0.15s OFF	SWEDISH (AIR RAID)	0 0 1 1 0
14	INTERMITTENT		660	1.8s ON/1.8s OFF	SWEDISH (LOCAL WARNING)	1 0 1 1 0
15	INTERMITTENT		660	0.5s ON/0.5s OFF	SWEDISH GENERAL PURPOSE	0 1 1 1 0
16	INTERMITTENT		720	0.7s ON/0.3s OFF	GENERAL PURPOSE	1 1 1 1 0
17	INTERMITTENT		750	0.33s ON/0.5s OFF	GENERAL PURPOSE	0 0 0 0 1
18	INTERMITTENT		800	0.25s ON/1s OFF	GENERAL PURPOSE	1 0 0 0 1
19	INTERMITTENT		970 - 800	0.35s/0.35s/0.35s OFF X 3 1.5s OFF	ISO 8201	0 1 0 0 1
20	INTERMITTENT		970	0.5s ON/0.5s OFF X 3 1.5s OFF	ISO 8201 LOW TONE	1 1 0 0 1
21	INTERMITTENT		970	0.25s ON/0.25s OFF	GENERAL PURPOSE	0 0 1 0 1
22	INTERMITTENT		2850	1s ON/1s OFF	GENERAL PURPOSE	1 0 1 0 1
23	INTERMITTENT		2850	0.25s ON/0.25s OFF	GENERAL PURPOSE	0 1 1 0 1
24	BI-TONE		600 - 700	0.5s/0.5s	GENERAL PURPOSE	1 1 1 0 1
25	BI-TONE		800 - 970	0.25s/0.25s	BS5839-1:2002	0 0 0 1 1
26	BI-TONE		800 - 970	0.8s/0.8s	GENERAL PURPOSE	1 0 0 1 1
27	BI-TONE		1000 - 2000	1s/1s	GENERAL PURPOSE	0 1 0 1 1
28	CHIME 1 SINGLE		700 - 600	0.4s/0.7s	SINGLE SHOT DING DONG	1 1 0 1 1
29	CHIME 1 REPEATING		700 - 600	0.4s/0.7s OFF	REPEATING DING DONG	0 0 1 1 1
30	CHIME 1 REPEATING		700 - 600	0.25s/0.4s OFF	REPEATING DING DONG	1 0 1 1 1
31	HOOTER REPEATING		-	3s ON/2s OFF	GENERAL PURPOSE	0 1 1 1 1
32	SIMULATED BELL		1850	0.1s (modulated 0.03s)	GENERAL PURPOSE	1 1 1 1 1

B

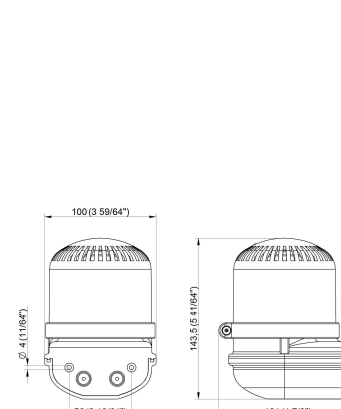
SWITCH B SOUNDS						
N°	STONE	STONE TYPE	F[Hz]	TIMES	DESCRIPTION	DIP SWITCH
1	INTERMITTENT		490	0.5s ON/1s OFF	GENERAL PURPOSE - WARNING	0 0 0 0 0
2	BI-TONE		480 - 610	0.5s/0.5s	GENERAL PURPOSE - EVACUATION 1	1 0 0 0 0
3	LINEAR		610	-	GENERAL PURPOSE - EVACUATION 2	0 1 0 0 0
4	LINEAR		500	-	GENERAL PURPOSE	1 1 0 0 0
5	LINEAR		970	-	BS5839-1:2002	0 0 1 0 0
6	SWEEP		500 - 1200	CICLE 3.75s/0.25s OFF	AS2220	1 0 1 0 0
7	SWEEP		1400 - 1600	CICLE 1.5s	NF 48-265	0 1 1 0 0
8	SWEEP		800 - 970	CICLE 1.5s	BS5839-1:2002	1 1 1 0 0
9	SWEEP		1200 - 500	CICLE 1s	DIN 33 404	0 0 0 1 0
10	INTERMITTENT		544	0.625s ON/0.625s OFF	GENERAL PURPOSE	1 0 0 1 0
11	INTERMITTENT		660	6.5s ON/13s OFF	SWEDISH (PRE-MESS)	0 1 0 1 0
12	INTERMITTENT		970	1s ON/1s OFF	APOLLO FIRE SYSTEM BS5839	1 1 0 1 0
13	INTERMITTENT		2850	0.5s ON/0.5s OFF X 3 1.5s OFF	ISO 8201 HIGH TONE	0 0 1 1 0
14	BI-TONE		970 - 630	0.5s/0.5s	APOLLO FIRE SYSTEM BS5839	1 0 1 1 0
15	BI-TONE		554 - 440	0.1s/0.4s	FRANCE - AFNOR NF S 32 001	0 1 1 1 0
16	BI-TONE		440 - 554	0.5s/0.5s	GENERAL PURPOSE	1 1 1 1 0
17	BI-TONE		510 - 610	0.5s/0.5s	GENERAL PURPOSE	0 0 0 0 1
18	BI-TONE		510 - 610	1s/1s	GENERAL PURPOSE	1 0 0 0 1
19	BI-TONE		600 - 700	1s/1s	GENERAL PURPOSE	0 1 0 0 1
20	BI-TONE		550 - 1000	0.5s/0.5s	GENERAL PURPOSE	1 1 0 0 1
21	BI-TONE		550 - 1000	1s/1s	GENERAL PURPOSE	0 0 1 0 1
22	BI-TONE		800 - 1000	0.5s/0.5s	GENERAL PURPOSE	1 0 1 0 1
23	BI-TONE		800 - 1000	1s/1s	GENERAL PURPOSE	0 1 1 0 1
24	BI-TONE		1000 - 2000	0.5s/0.5s	GENERAL PURPOSE	1 1 1 0 1
25	BI-TONE		2400 - 2850	0.265s/0.265s	GENERAL PURPOSE	0 0 0 1 1
26	BI-TONE		2400 - 2850	0.465s/0.465s	GENERAL PURPOSE	1 0 0 1 1
27	BI-TONE		640 - 970	0.5s/0.5s	GENERAL PURPOSE	0 1 0 1 1
28	BI-TONE		490 - 610	0.25s/0.25s	GENERAL PURPOSE	1 1 0 1 1
29	CHIME 2 SINGLE		554 - 440	0.35s/0.7s	SINGLE SHOT DING DONG	0 0 1 1 1
30	CHIME 2 REP		554 - 440	0.35s/0.7s/0.5s OFF	REPEATING DING DONG	1 0 1 1 1
31	CHIME 3 SINGLE		1300 - 944	0.5s/1s	SINGLE SHOT DING DONG	0 1 1 1 1
32	CHIME 3 REP		1300 - 944	0.5s/1s/0.5s OFF	REPEATING DING DONG	1 1 1 1 1



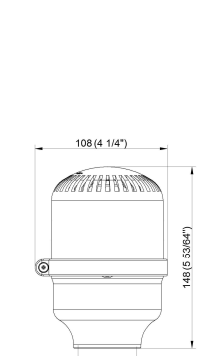
SLM600 + SLMBS
SLM800 + SLMBS



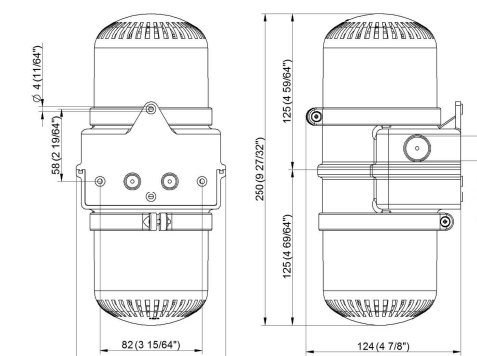
SLM600 + SLMBD
SLM800 + SLMBD



SLM600 + SLMBW
SLM800 + SLMBW



SLM600 + SLMBP
SLM800 + SLMBP



SLM600 + SLMBT
SLM800 + SLMBT

V ===	12÷24		V ~	120÷240	
V ~			A (*)	0,08	0,05
A (*)	1	0,5	A (**)	0,18	0,1
A (**)	3	1	dB(A)1m	99 ÷ 111	
dB(A)1m	103 ÷ 115				

* = Relevant to the sound with lower absorption (nr 31 SW1)
Relativo al sonido con menor absorción (nro 31 SW1)
Relatif au son avec absorption moins élevée (n° 31 SW1)

** = Relevant to the sound with higher absorption (nr 32 SW2)
Relativo al sonido con mayor absorción (nro 32 SW2)
Relatif au son avec absorption plus élevée (n° 32 SW2)

FUSE WIRE PROTECTION	On the power supply line the rating of the supply fuse must be according to the voltage
FUSIBLE DE PROTECCIÓN	En la línea de alimentación emplear fusibles de seguridad adecuados al voltaje
FUSIBLE DE PROTECTION	Sur la ligne d'alimentation utiliser des fusibles retardés dimensionnés selon la tension

All dims in mm unless otherwise noted
Todas las dimensiones son en mm, salvo que sea indicado de otra manera
Toutes les dimensions sont en mm, sauf indication contraire

TO BE INSTALLED BY QUALIFIED PERSONNEL ONLY
LA INSTALACIÓN SÓLO DEBE SER REALIZADA POR PERSONAL CUALIFICADO - L'INSTALLATION DOIT ÊTRE EFFECTUÉE PAR PERSONNEL QUALIFIÉ

NOT TO BE DISPOSED OF AS COMMON WASTE - NO ELIMINAR COMO DESECHO URBANO - NE PAS ELIMINER COMME DECHET URBAIN

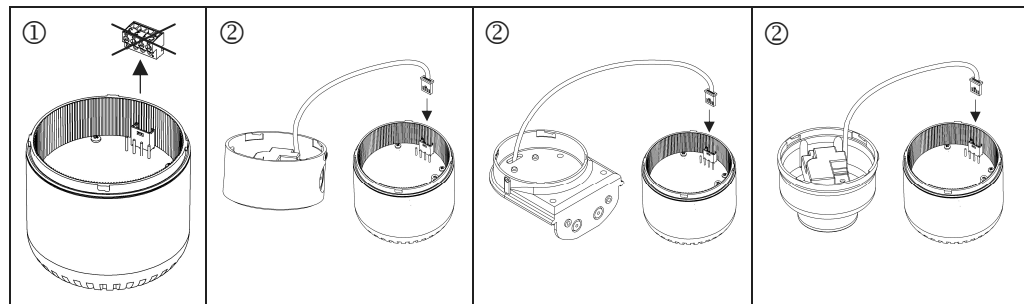
ATTENTION	The possibility exists that rapid flashing lights, under certain circumstances, might induce photosensitive epilepsy
ATENCIÓN	Existe la posibilidad que luces de intermitencia rápida, en determinadas circunstancias, podrían inducir epilepsia fotosensible
ATTENTION	Il est possible que des feux clignotants rapides, dans certaines circonstances, peuvent induire épilepsie photosensible

WIRING/CABLEADO/CÂBLAGE BASES LT (12÷24V DC/AC)

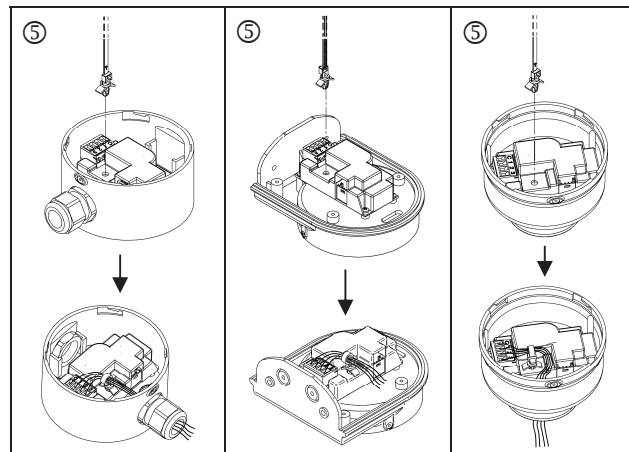
SLMBS-012-024 / SLMBD-012-024 / SLMBW-012-024 / SLMBT-012-024 / SLMBP-012-024		12÷24V DC/AC
①	②	③
<p>C ÷ 1 (only SLM600 version): LED flashing light C ÷ 1 (únicamente para la versión SLM600): Luz intermitente de LED C ÷ 1 (seulement pour version SLM600): Lumière à LED clignotante</p> <p>C ÷ 2: LED flashing light (SLM600 version) + SWITCH A sound C ÷ 2: Luz intermitente de LED (versión SLM600) + Sonido SWITCH A C ÷ 2: Lumière à LED clignotante (version SLM600) + son SWITCH A</p> <p>C ÷ 3: LED steady light (SLM600 version) + SWITCH B sound C ÷ 3: Luz fija de LED (versión SLM600) + Sonido SWITCH B C ÷ 3: Lumière à LED fixe (version SLM600) + son SWITCH B</p>		

WIRING/CABLEADO/CÂBLAGE BASES LT PNP (12÷24V DC) and BASES HT (120÷240V AC)

SLMBD-PNP-012-024	12÷24V DC	SLMBD-120-240	120÷240V AC
SLMBW-PNP-012-024	12÷24V DC	SLMBW-120-240	120÷240V AC
SLMBP-PNP-012-024	12÷24V DC	SLMBP-120-240	120÷240V AC



④	LT PNP	C ÷ 1 (only SLM600 version): LED flashing light (únicamente para la versión SLM600): Luz intermitente de LED (seulement pour version SLM600): Lumière à LED clignotante
④	HT	C ÷ 2 LED flashing light (SLM600 version) + SWITCH A sound Luz intermitente de LED (versión SLM600) + Sonido SWITCH A Lumière à LED clignotante (version SLM600) + son SWITCH A
④		C ÷ 3 LED steady light (SLM600 version) + SWITCH B sound Luz fija de LED (versión SLM600) + Sonido SWITCH B Lumière à LED fixe (version SLM600) + son SWITCH B



SLMBT-PNP-012-024		12÷24V DC	SLMBT-120-240		120÷240V AC
①	②	③	④	⑤	⑥
⑤ LT PNP: UPPER POS.	C ÷ 1 (only SLM600 version): LED flashing light (únicamente para la versión SLM600): Luz intermitente de LED (seulement pour version SLM600): Lumière à LED clignotante	⑤ LT PNP: LOWER POS.	C ÷ 4 (only SLM600 version): LED flashing light (únicamente para la versión SLM600): Luz intermitente de LED (seulement pour version SLM600): Lumière à LED clignotante	⑤ HT: UPPER POS.	⑥
⑤ HT: LOWER POS.	C ÷ 2 LED flashing light (SLM600 version) + SWITCH A sound Luz intermitente de LED (versión SLM600) + Sonido SWITCH A Lumière à LED clignotante (version SLM600) + son SWITCH A	⑤ HT: LOWER POS.	C ÷ 5 LED flashing light (SLM600 version) + SWITCH A sound Luz intermitente de LED (versión SLM600) + Sonido SWITCH A Lumière à LED clignotante (version SLM600) + son SWITCH A	⑤ HT: LOWER POS.	C ÷ 6 LED steady light (SLM600 version) + SWITCH B sound Luz fija de LED (versión SLM600) + Sonido SWITCH B Lumière à LED fixe (version SLM600) + son SWITCH B

	C ÷ 6 has priority over C ÷ 5 and C ÷ 4 C ÷ 6 tiene prioridad en C ÷ 5 y C ÷ 4 C ÷ 6 est prioritaire sur C ÷ 5 et C ÷ 4	C ÷ 5 has priority over C ÷ 4 C ÷ 5 tiene prioridad en C ÷ 4 C ÷ 5 est prioritaire sur C ÷ 4	C ÷ 3 has priority over C ÷ 2 and C ÷ 1 C ÷ 3 tiene prioridad en C ÷ 2 y C ÷ 1 C ÷ 3 est prioritaire sur C ÷ 2 et C ÷ 1	C ÷ 2 has priority over C ÷ 1 C ÷ 2 tiene prioridad en C ÷ 1 C ÷ 2 est prioritaire sur C ÷ 1
--	--	---	--	---

DOME TIGHTENING/APRIETE DE LA CÚPULA/SERRAGE DU DÔME

