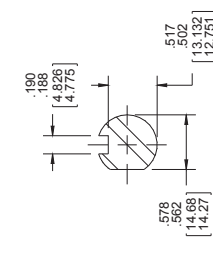
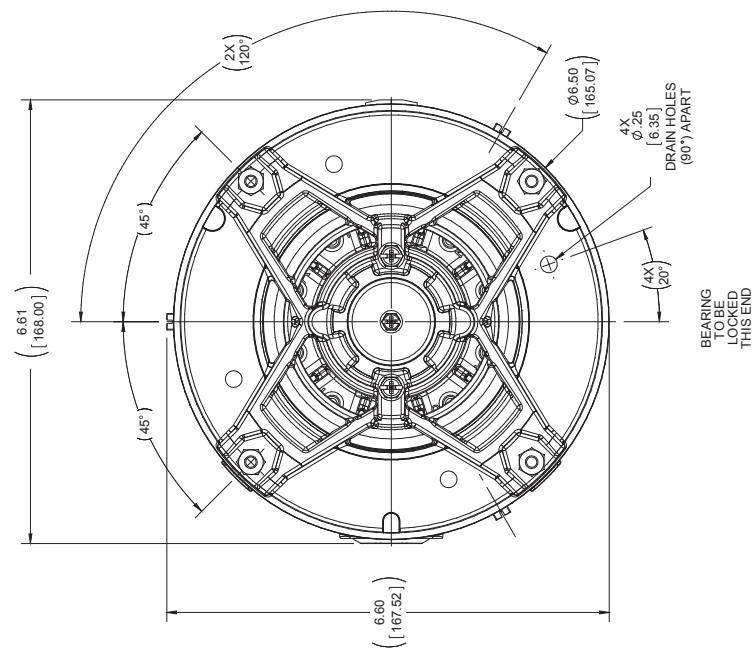
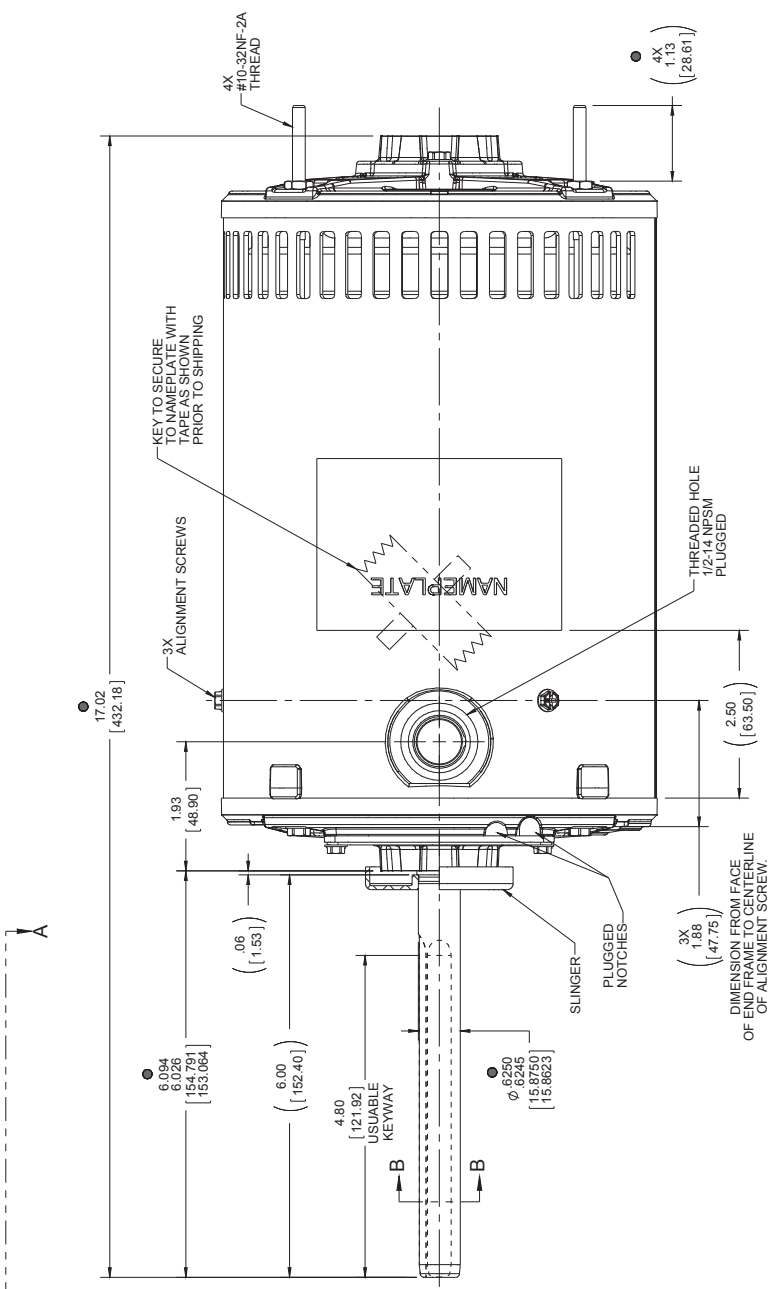
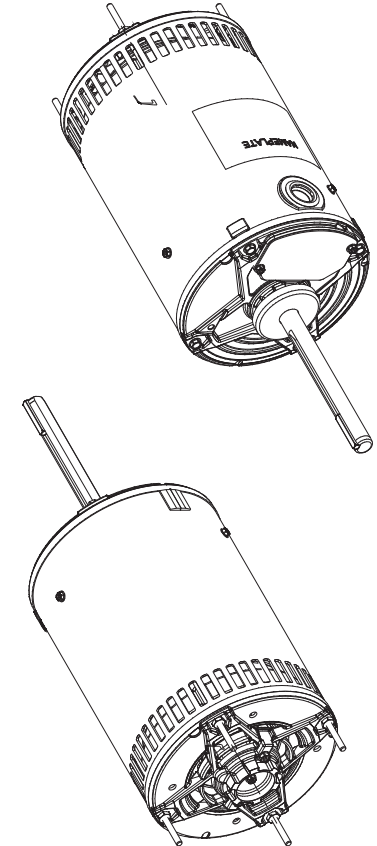


SECTION A-A



SECTION B-B



● = CRITICAL DIMENSION

DRAWING REVISION		REVISION BY	DATE	USE	DATE	DESCRIPTION
ECO	0101205	D VALENCIANO	04-30-2016	ECO	04-30-2016	REGAL BELLOTTI
ECO	0101205	JORTEGA	04-30-2016	ECO	04-30-2016	REGAL BELLOTTI
ECO DESCRIPTION		NEW MODEL RELEASE				
<small> COPYRIGHT REGAL BELLOTTI AMERICA, INC. ALL RIGHTS RESERVED. REGAL BELLOTTI AMERICA, INC. COMPANY AND COMPANY OWNERS PROPRIETARY INFORMATION. THIS DRAWING IS THE PROPERTY OF REGAL BELLOTTI AMERICA, INC. AND IS NOT TO BE REPRODUCED OR TRANSMITTED IN ANY FORM OR BY ANY MEANS, ELECTRONIC OR MECHANICAL, INCLUDING PHOTOCOPYING, RECORDING, OR BY ANY INFORMATION STORAGE AND RETRIEVAL SYSTEM, WITHOUT THE WRITTEN PERMISSION OF REGAL BELLOTTI AMERICA, INC. THIS DRAWING IS UNCONTROLLED COPY. IT MAY BE SUBJECT TO CHANGE WITHOUT NOTICE. </small>						
TOLERANCES UNLESS OTHERWISE SPECIFIED:		DEC.	INCH	MM	ANGLE	
		±0.1	±0.005	±0.127	50.5°	
		XXX	±0.005	±0.127		
		XXXX	±0.0005	±0.0127		
REMOVE BURRS & BREAK SHARP CORNERS TO ±0.005 (0.127) mm. ALL MACHINED SURFACES TO BE FINISHED TO A 32/3.2 μm V. MACHINED SURFACES: R.02 (0.51) mm SHOWN IN BRACKETS.						
DRAWN BY		D VALENCIANO				
DATE		04-30-2016				
APPROVED BY		JORTEGA				
DATE		04-30-2016				
REFERENCE		THIRD ANGLE PROJECTION				
MATERIAL		C				
SIZE		DRAWING NUMBER				
PROCESS/FINISH		OL56100070-001				
SHEET		1 OF 1				

Regal Beloit America, Inc.
OUTLINE
 58FR, OAO, 3-PHASE