

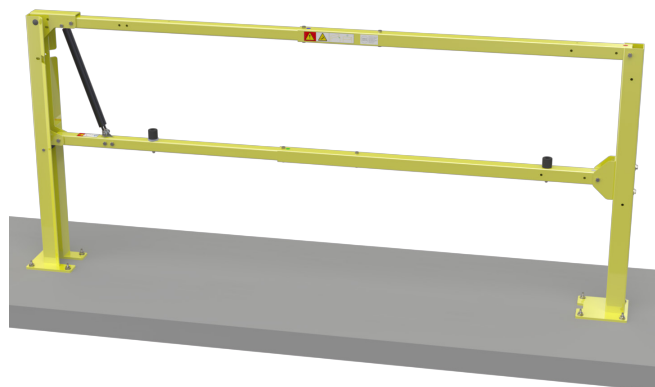
EDGESAFE®

Smart Gate



Installation Instructions/Operation and Maintenance Manual

Patent Pending



Models:

- ESG-60-PCY
- ESG-120-PCY
- ESG-96-PCY
- ESG-144-PCY

Table of Contents:

- Safety Precautions 2
- Product Information 2
- Size Reference Drawing..... 4
- Installation Instructions 5
- Disassembling of Gate..... 12
- Operation 14
- Replacement Parts List 15
- Inspection and Maintenance..... 18
- Warranty Certificate 19

Contact Information

<p>Mail PS Safety Access 1150 South 48th Street Grand Forks, ND 58201</p>	<p>Local Phone 701.746.4519</p> <p>Toll Free Phone 877.446.1519</p>	<p>Website pssafetyaccess.com</p> <p>Email 4psinfo@psindustries.com</p>	<p>Hours of Operation 8 A.M. to 5 P.M. CT Monday – Friday</p>
--	---	---	--

IMPORTANT! Read entire Instruction and Operations Manual to become familiar with the product.

NOTICE This product is designed to work with the EdgeSafe® Single Gates. The effectiveness of the product is directly related to the proper installation and operation of this product. Failure to properly maintain this product **will** affect performance.

Publication Notice

This manual has been compiled and published covering the latest product descriptions and specifications.

The contents of this manual and the specifications of this product are subject to change without notice.

PS Safety Access™ reserves the right to make changes without notice in the specifications and materials contained herein and shall not be responsible for any damages (including consequential) caused by reliance on the materials presented, including but not limited to typographical and other errors relating to the publication.

PS Safety Access and/or its respective suppliers may make improvements and/or changes in the product(s)/ service(s) offered and/or the program(s) at any time without notice.

Retain this manual for future reference.

If you would like a copy of this manual, please send an email to 4psinfo@psindustries.com

Product registration is an essential step to protecting your product, register Online at psindustries.com/contact/register-your-product/



Safety Precautions

The following icons are used throughout this Manual.

- ▲ DANGER** Indicates an imminently hazardous situation which, if not avoided, will result in death or serious injury.
- ▲ WARNING** Indicates a potentially hazardous situation which, if not avoided, could result in death or serious injury.
- ▲ CAUTION** Indicates a potentially hazardous situation which, if not avoided, may result in minor or moderated injury.
- NOTICE** Indicates manufacturer's statement of additional information.
- IMPORTANT!** Indicates a required action.
- CRITICAL** Indicates a vital component to product performance.

Product Information

NOTICE Unauthorized modification of or to the Product voids this Limited Warranty. Authorized modifications, received in writing from PS Industries® Incorporated, as long as the modification is accomplished in strict accordance with PS Industries' instructions, does not void warranty. If this product is modified or altered without manufactures permission, manufacturer is no longer responsible for the product design, engineering, or performance and owner assumes all responsibility. To request product modifications contact PS Industries Incorporated, 1150 S. 48th Street, Grand Forks, ND 58201, phone 877-446-1519, email: 4psinfo@psindustries.com

I. General Information

- A. This manual contains information regarding installation, operation, and maintenance of the PS Safety Access' Smart Gate.
- B. PS Safety Access recommends that the owner implement a regular preventative maintenance program to inspect and maintain the Smart Gate at a minimum, in accordance with the recommendations in this manual.

II. Operation Guidelines

- A. The Smart Gate is designed to meet:
 1. OSHA Railing Standard OSHA 1910.29, ANSI A1264.1-2017, Canada OHS SOR-86-304 Part II, and ISO 14122-3:2016.
- B. Operation in a manner other than intended could result in damage or less than acceptable performance at time of need, for which the manufacturer will not be held responsible.

III. Safety Precautions

- A. Ensure opening is clear of all obstructions through the entire proposed travel of the Smart Gate during operation.
- B. Comply with all OSHA and ANSI Safety Regulations and/or company safety policies when installing.
- ▲ DANGER** If installed on edge, ensure area below installation edge is blocked off from personnel during installation.
- ▲ DANGER** Ensure mounting surface is capable of supporting all loading. Structural analysis of mounting surface is the responsibility of the owner.
- IMPORTANT!** Verification of the structural sufficiency of supplied anchors based on site specific conditions and the existing structure is the responsibility of the installer/customer. Refer to the anchor manufacturer's installation instructions for installation requirements.

IV. Storage Prior to Installation of Product

- A. Store materials in a dry, ventilated location. If outdoor storage is required, block materials and tarp in a tent-like arrangement, elevated above the product with open sides to allow airflow.

V. Installation Site Preparation

- NOTICE** Before starting site preparation and installation of the Smart Gate, read the entire Operation and Maintenance Manual and review Approved for Construction Drawings and all additional installation instructions thoroughly.
- A. Clear work area of any debris.
 - B. Ensure you have the necessary tools available.
 - C. Obtain all required permits.

Product Information

- D. Personnel: Determine the appropriate number of personnel required to perform installation and have them readily available at the project site.
- E. Ensure all installation personnel utilize appropriate fall protection equipment and procedures during installation.

VI. Recommended Tools for Installation:

A. Tools:

1. One (1) Drill for Anchoring
2. Two (2) $\frac{9}{16}$ " Socket and Ratchets
3. Two (2) $\frac{1}{2}$ " Socket and Ratchets
4. Two (2) $\frac{7}{16}$ " Socket and Ratchets
5. One (1) Rubber Mallet
6. One (1) Tape Measure
7. One (1) $\frac{3}{16}$ " Allen Wrench

VII. Smart Gate Parts List

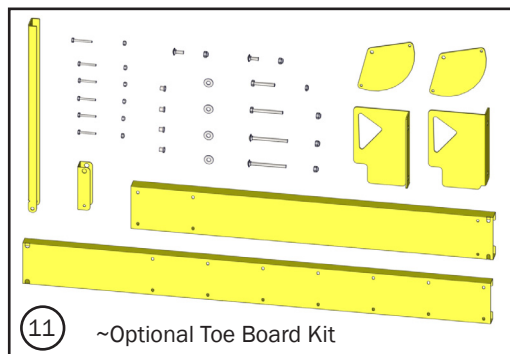
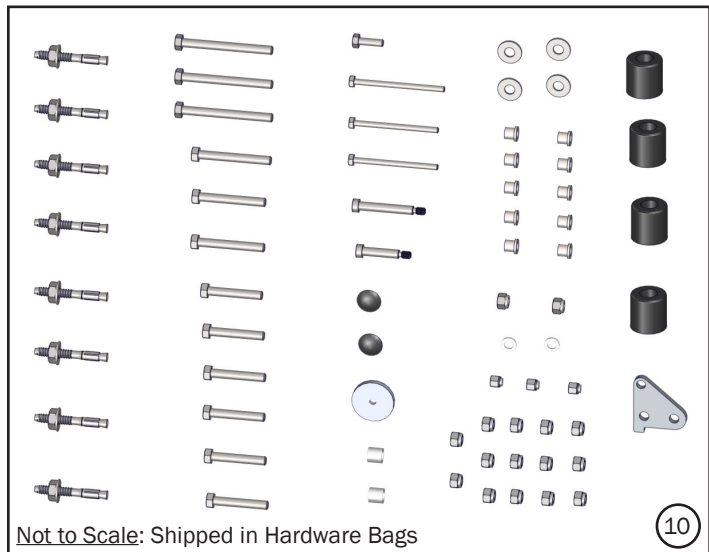
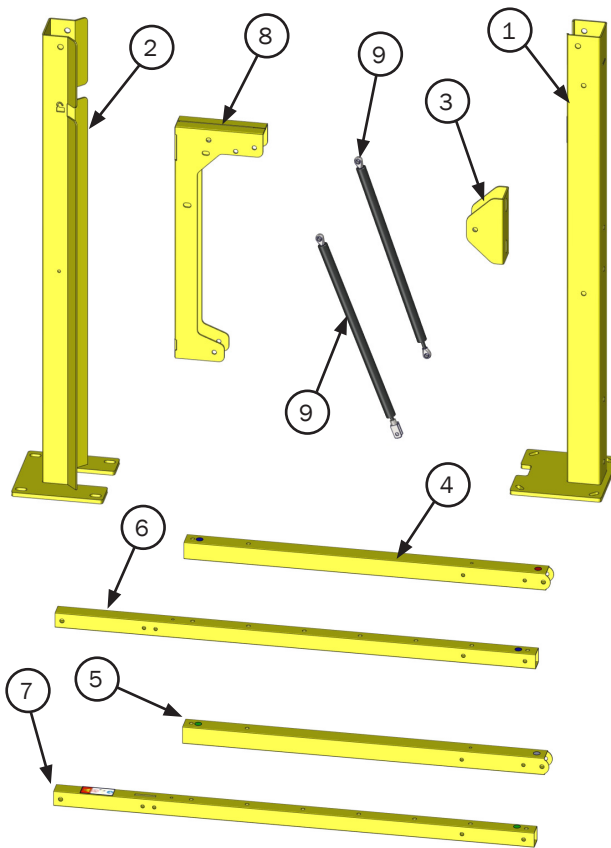
A. Review inventory to ensure all parts are present for assembly/installation. Refer to parts list below.

Smart Gate Part List (As Shipped)

ITEM #	DESCRIPTION	QTY
1	ESG;GATE POST PCY	1
2	ESG;GATE CATCH PCY	1
3	ESG;ADJ CLEVIS PCY	1
4	ESG;2" UPR ARM PCY	1
5	ESG;2" LWR ARM PCY	1
6	ESG;1.75" UPR ARM PCY	1
7	ESG;1.75" LWR ARM PCY	1
8	ESG;GATE END PCY	1
9	ESG;DAMPENER # W/ ENDS	*
10	ESG;HARDWARE BAG	1
11	ESG;TOE BOARD KIT	~1

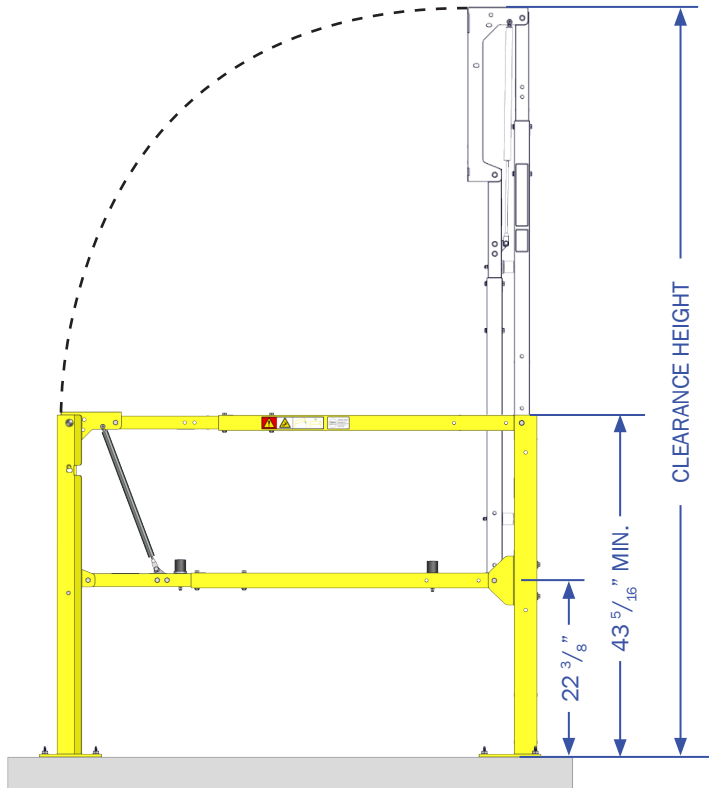
*Quantity is dependent on Gate Size.

~Available Options: To Order Contact PS Safety Access at 877.446.1519



Size Reference Drawing

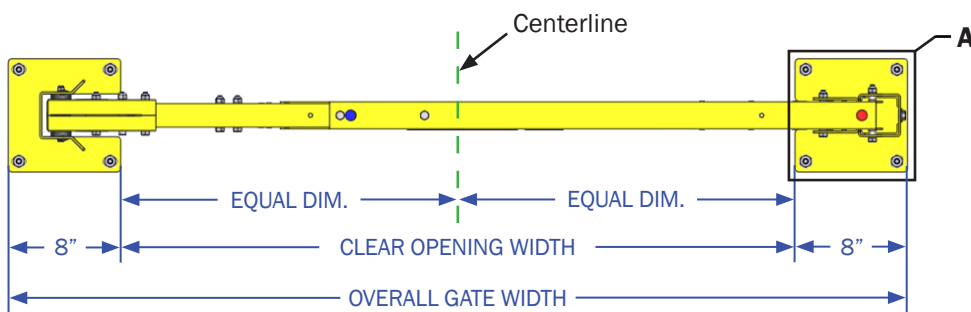
VIII. ESG Size Reference Drawing



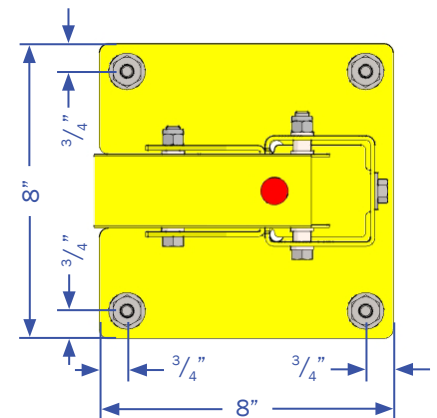
FRONT VIEW

ESG Size Reference Table			
GATE MODEL	CLEAR OPENING WIDTH	CLEARANCE HEIGHT	OVERALL GATE WIDTH
*ESG-60-PCY	48"	95 1/2"	64"
	54"	101 1/2"	70"
	60"	107 1/2"	76"
	66"	113 1/2"	82"
	72"	119 1/2"	88"
*ESG-96-PCY	78"	125 1/2"	94"
	84"	131 1/2"	100"
	96"	153 1/2"	112"
ESG-120-PCY	108"	164 1/2"	124"
	120"	176 1/2"	136"
	132"	188 1/2"	148"
ESG-144-PCY	132"	188 1/2"	148"
	144"	200 1/2"	160"
	156"	212 1/2"	172"

*Toe Board Kits on these models reduce clear opening by 5 1/2", refer to chart in Toe Board O&M for dimensions.



TOP VIEW



DETAIL A

Installation

IX. Smart Gate Installation

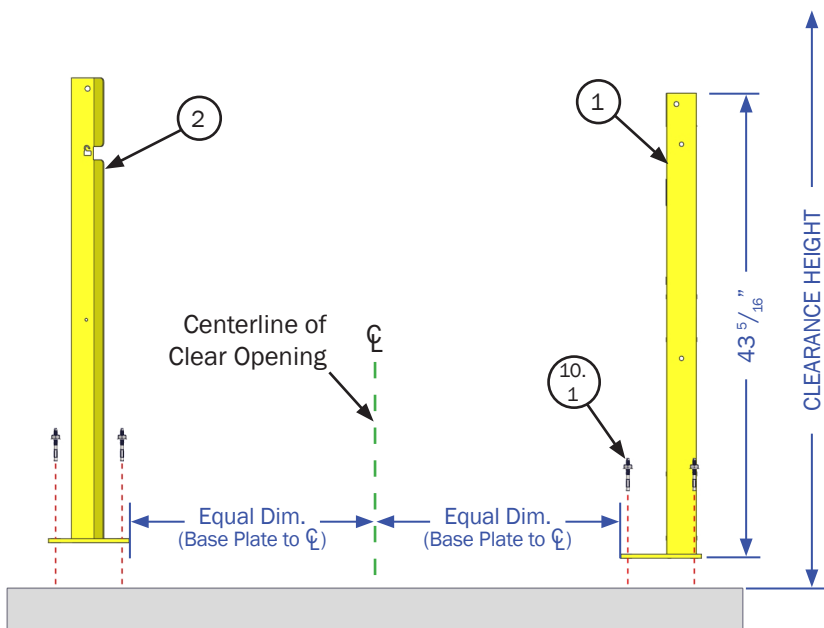
A. Refer to parts list on Page 3 for part item numbers and descriptions.

NOTICE Base Plates are slotted to allow adjustment for alignment.

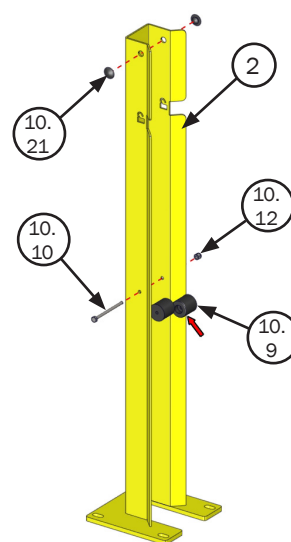
STEP 1. Choose your proper gate measurements from provided Size Reference Table (refer to Page 4) and measure centered across the opening.

- Mark holes for Gate Post and Catch Post; anchor with concrete floor anchors.
- Level both posts in both directions, shim anchors as required (additional washers provided by installer).
- Install the bumper shelf and grommets using supplied hardware from "Step 1" bag (as shown in Illustration II).

**Step 1
Illustration I**



**Step 1
Illustration II**



CONCRETE REQUIREMENTS FOR SUPPLIED CONCRETE ANCHORS:

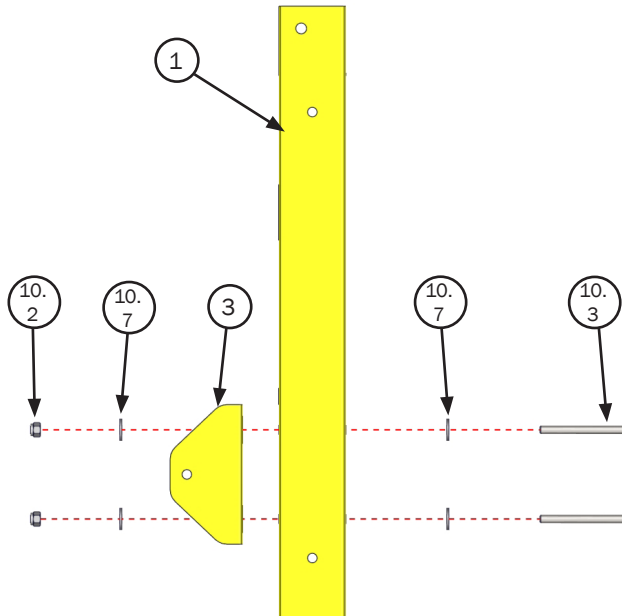
MIN. 3000 PSI CONCRETE
 4" MIN. CONCRETE THICKNESS
 3" MIN. EDGE DISTANCE (ALL SIDES)
 2 ³/₈" MIN. EMBEDMENT DEPTH

CRITICAL If existing floor structure differs, or if shimming more than $\frac{1}{4}$ ", selection of anchors to withstand service loads and meet code requirements is by installer.

Installation

STEP 2. Attach Adjustable Clevis with supplied hardware from “Step 2” bag.
a. Tighten bolts, bracket height will be adjusted later in installation steps.

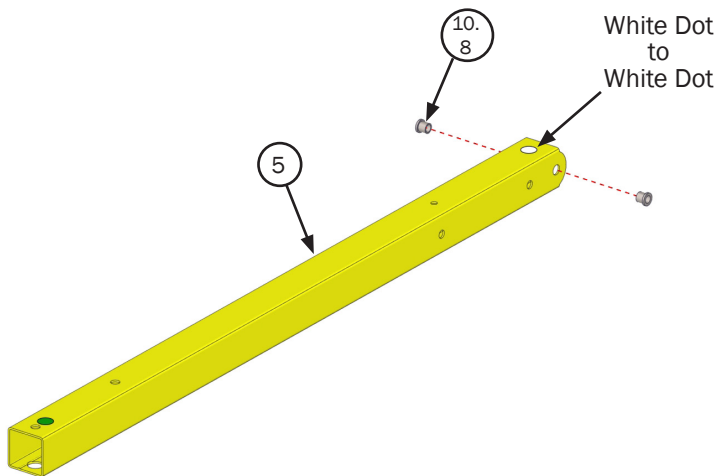
**Step 2
Illustration I**



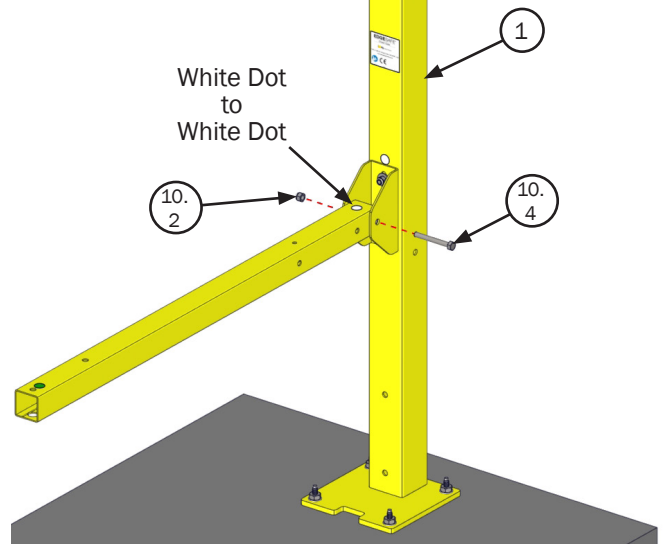
STEP 3. Use rubber mallet to gently hammer flange bearings into both sides of 2” Lift Arm.
a. Slide 2” Lift Arm into Adjustable Clevis and fasten with supplied hardware from “Step 3” bag.

IMPORTANT! Matching dot colors is critical for performance, as well as orientation of all EdgeSafe Smart Gate components.

**Step 3
Illustration I**



**Step 3
Illustration II**



NOTICE It is best practice to use the bolt as an alignment pin to be sure the flange is square to the hole.

Installation

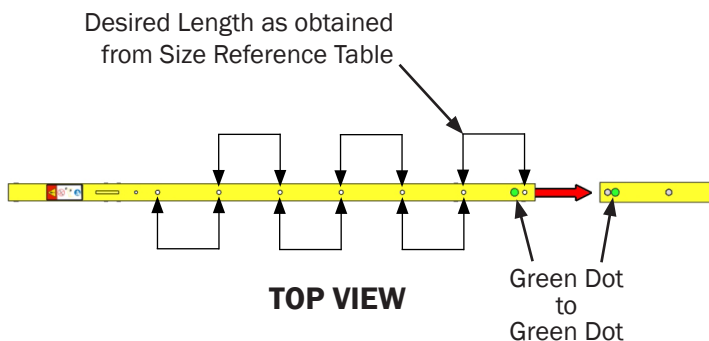
NOTICE The 1 ³/₄" Lift Arms have a series of pre-drilled holes to allow for adjustable gate width. See Size Reference Table to determine available width adjustment (refer to Page 4 for Table).

NOTICE To protect the Powder Coat finish, do NOT slide beyond desired length.

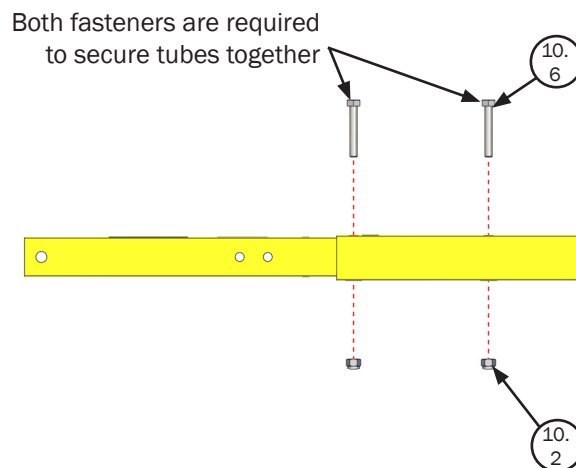
STEP 4. Slide 1 ³/₄" Lower Lift Arm into 2" Lift Arm to the desired gate width.

a. Secure gate to desired gate width using supplied hardware from "Step 4" bag.

**Step 4
Illustration I**



**Step 4
Illustration II**

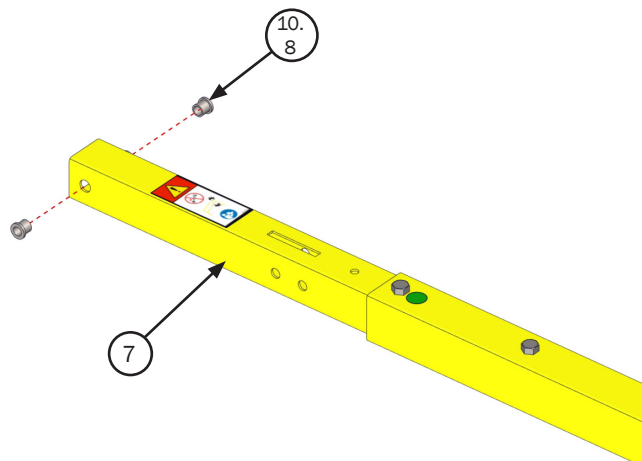


STEP 5. Use rubber mallet to gently hammer flange bearings into both sides of 1 ³/₄" Lower Lift Arm.

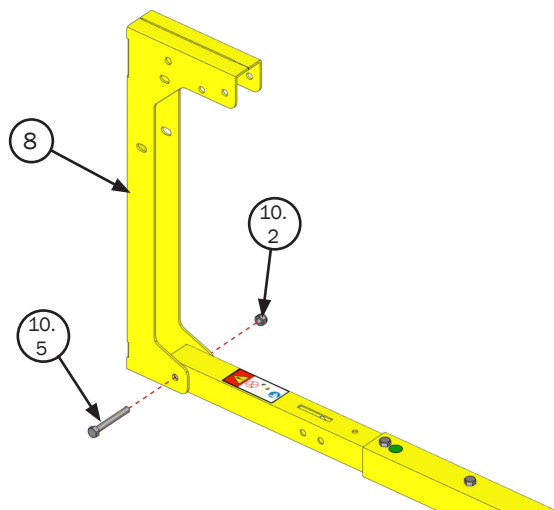
a. Align smaller opening of Gate End piece with end of Lower Lift Arm.

b. Attach using supplied hardware from "Step 5" bag.

**Step 5
Illustration I**



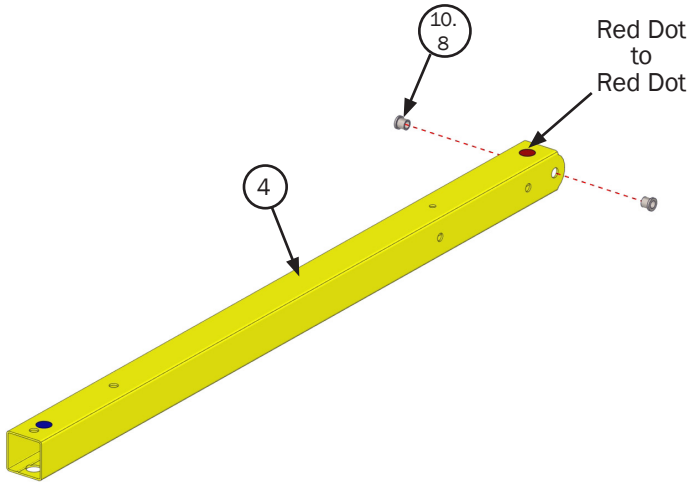
**Step 5
Illustration II**



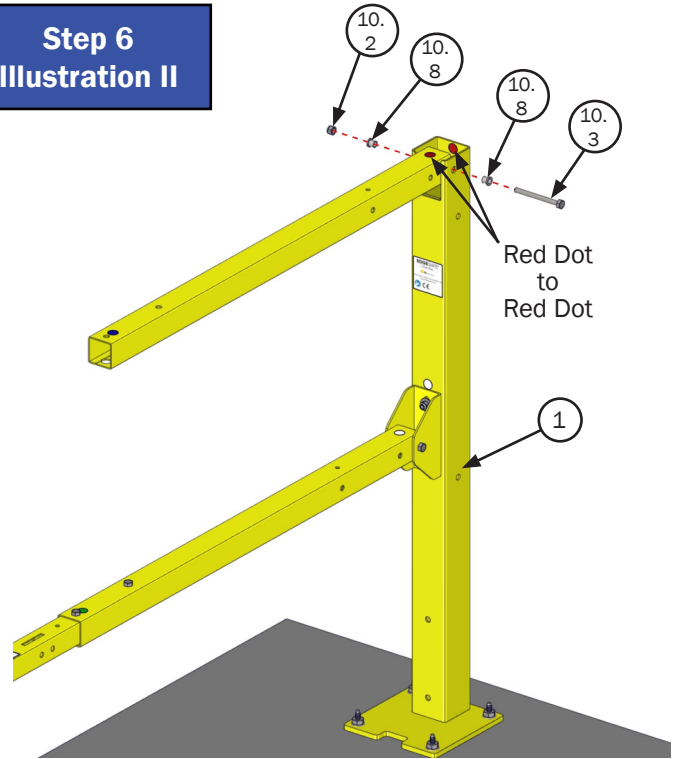
Installation

- STEP 6.** Use rubber mallet to gently hammer flange bearings into both sides of 2" Upper Lift Arm.
- a. Slide 2" Upper Lift Arm into Adjustable Clevis on Gate Post.
 - b. Set second set of bearings in the Gate Post, gently hammer into place.
 - c. Secure in place using supplied hardware from "Step 6" bag.

**Step 6
Illustration I**



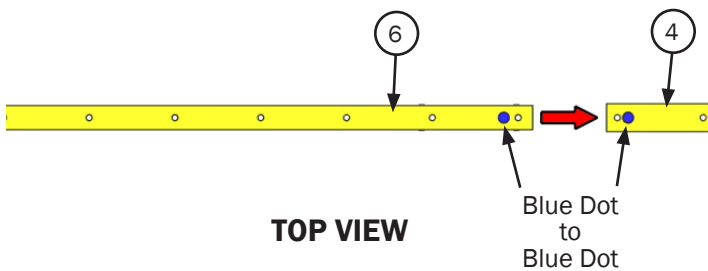
**Step 6
Illustration II**



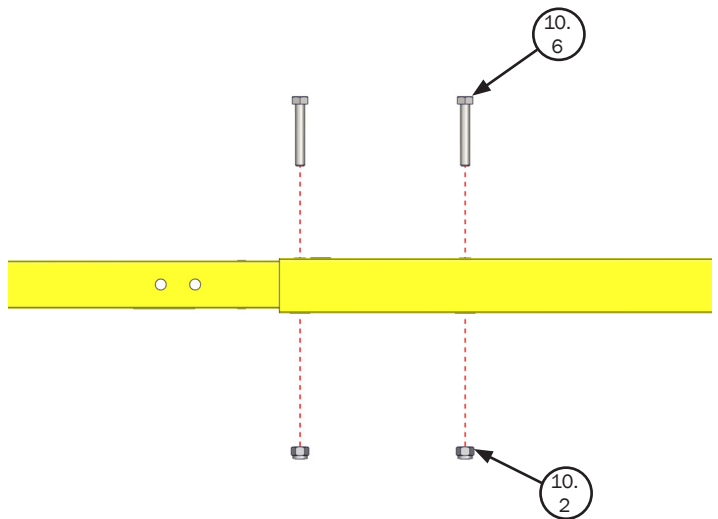
- STEP 7.** Slide 1 3/4" Upper Lift Arm into 2" Lift Arm.
- a. Attach using supplied hardware from "Step 7" bag.

NOTICE Only slide to desired hole location and no further. See Size Reference Table to determine available width adjustment (refer to Page 4 for Table).

**Step 7
Illustration I**



**Step 7
Illustration II**

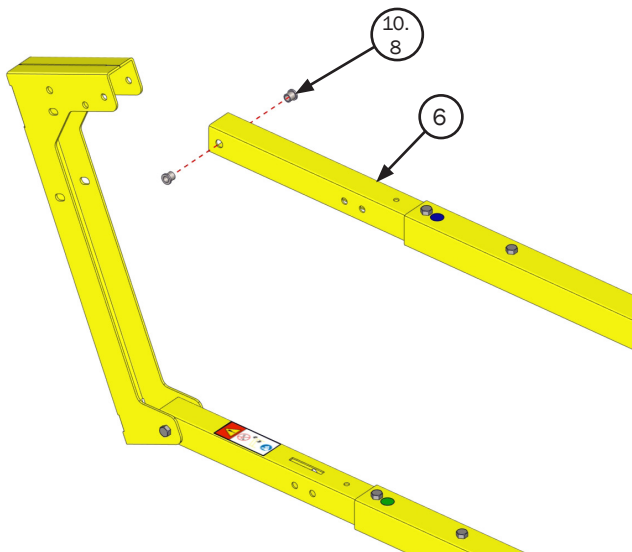


Installation

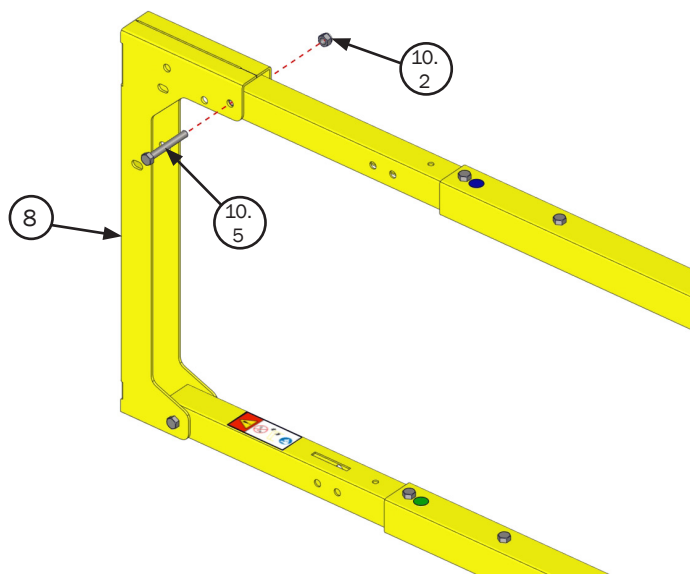
STEP 8. Use bolt inserted in flange to align bearing with both holes in 1 ³/₄" Upper Lift Arm.

- a. Slide the Gate End over the 1 ³/₄" Upper Lift Arm.
- b. Secure using supplied hardware from "Step 8" bag.

**Step 8
Illustration I**



**Step 8
Illustration II**

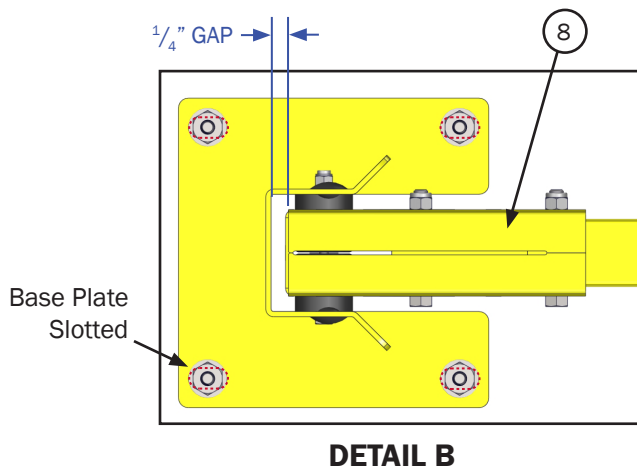
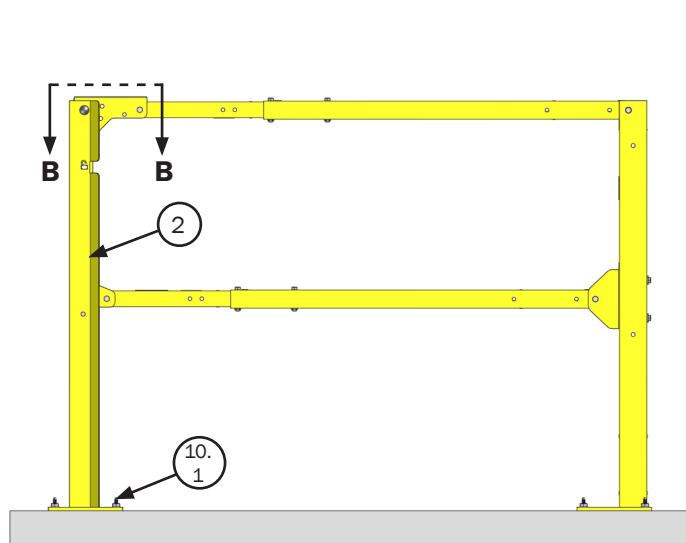


NOTICE Base Plates are slotted to allow adjustment for alignment.

STEP 9. Loosen Catch Post anchors for final placement.

- a. Adjust the Catch Post to leave $\frac{1}{4}$ " gap from Gate End to Catch Post.
- b. Keep Catch Post level and tighten anchors.

**Step 9
Illustration I**



Installation

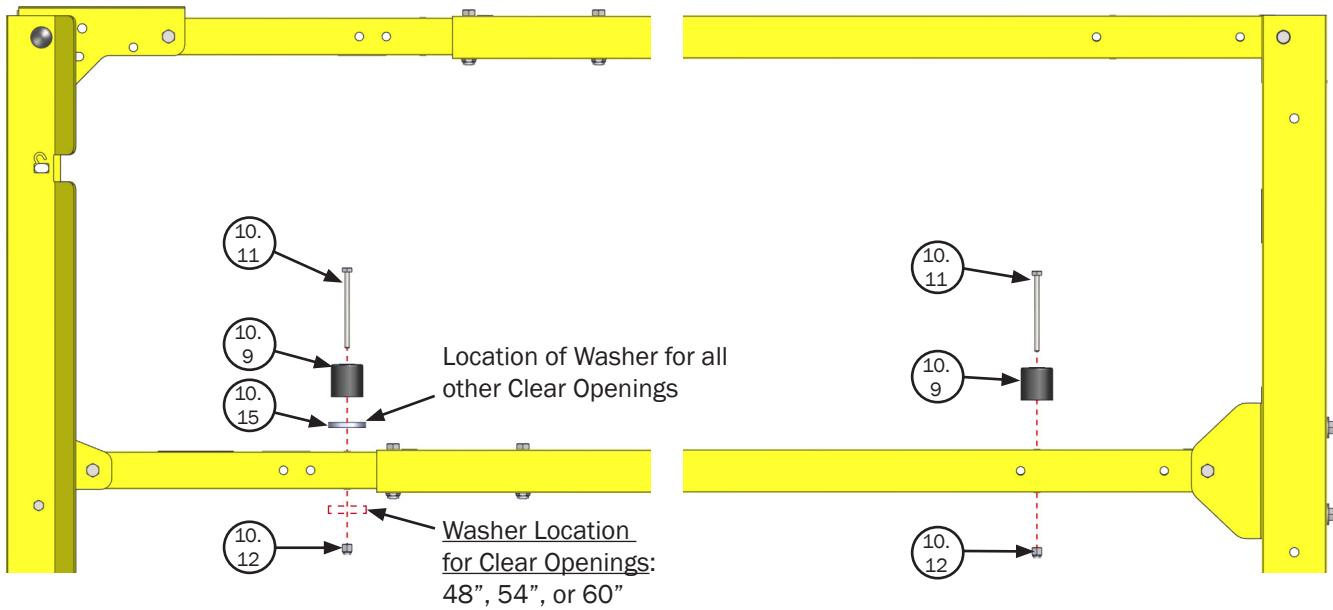
STEP 10. Add bumpers to Lower Lift Arms at both locations.

- a. Attach snugly with $\frac{1}{4}$ " bolts and nylock capped nuts found in "Step 10" hardware bag.

NOTICE Do NOT over-tighten, bumper should be snug but NOT compressed.

**Step 10
Illustration I**

**Step 10
Illustration II**

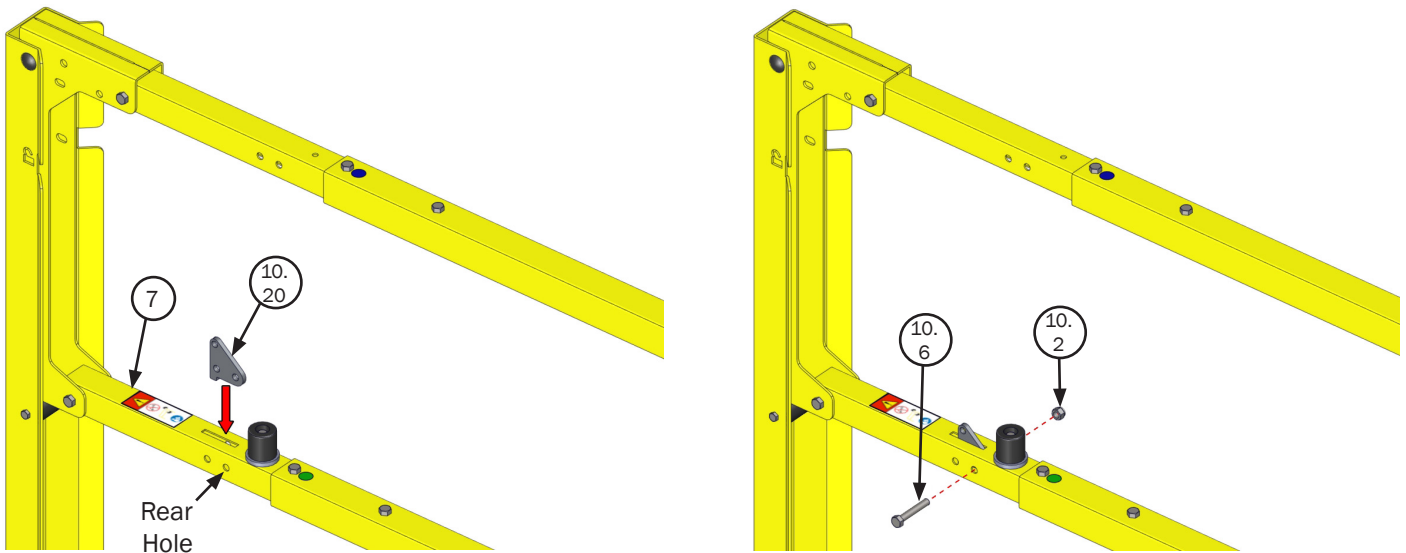


STEP 11. Open Hardware Bag "Steps 11-13" and slide Dampener Mount Link into slot in .

- a. Slide Dampener Mount Link into slot in $1 \frac{3}{4}$ " Lift Arm.
- b. Secure with one of the supplied $\frac{3}{8}$ " bolt and nylock nut from hardware bag (install in rear hole only).

**Step 11
Illustration I**

**Step 11
Illustration II**



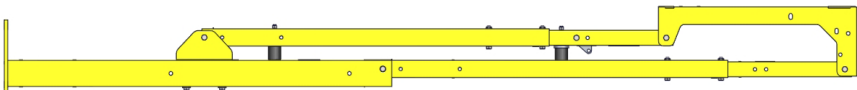
Installation

STEP 12. With the Gate in the lowered position and resting in the Catch Post, remove the anchor nuts on the Gate Post.
 a. Use team lift to lay on the ground as shown for improved access during dampener installation.

NOTICE To protect the Powder Coat finish, lay on cardboard.

▲ WARNING The Smart Gates are heavy. Verify weights and use appropriate lifting procedures and equipment.

**Step 12
Illustration I**

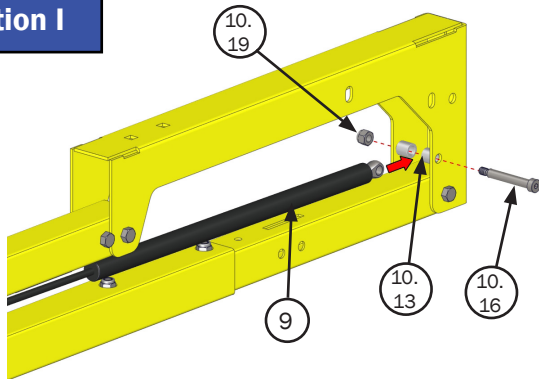


ESG Estimated Weight Reference Table	
GATE MODEL	GATE WEIGHT*
ESG-60-PCY	65 LBS
ESG-96-PCY	86 LBS
ESG-120-PCY	94 LBS
ESG-144-PCY	102 LBS

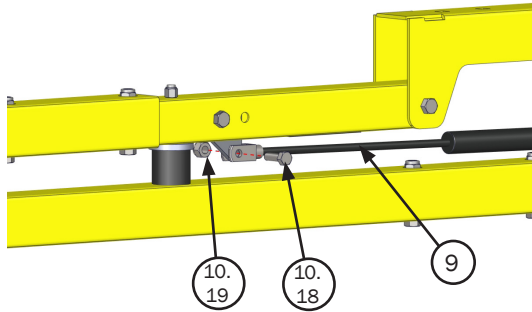
*Weight of components as shown in Illustration.

STEP 13. Install dampener first into the Gate End with $\frac{3}{8}$ " shoulder bolt.
 a. Carefully assemble spacers, bolts, and nuts per images shown.
 1). For ESG-60-PCY Gates refer to Illustrations I and II.
 2). For ESG-96/120/144-PCY Gates refer to Illustrations III and IV.

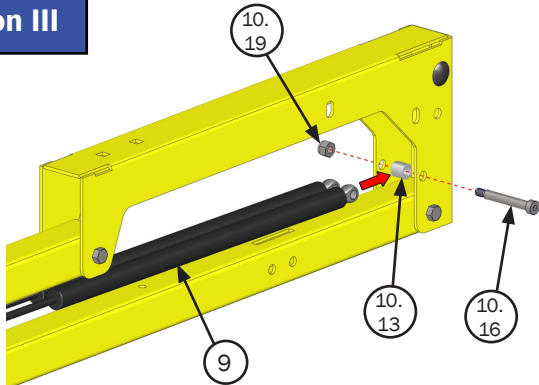
**Step 13
Illustration I**



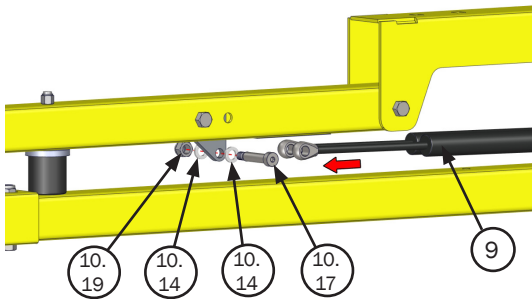
**Step 13
Illustration II**



**Step 13
Illustration III**



**Step 13
Illustration IV**



Installation

▲ WARNING This step requires multiple personnel and safe lifting techniques and/or equipment as required.

STEP 14. Safely lift and place the gate on the concrete anchors, level the post, and tighten anchor nuts.

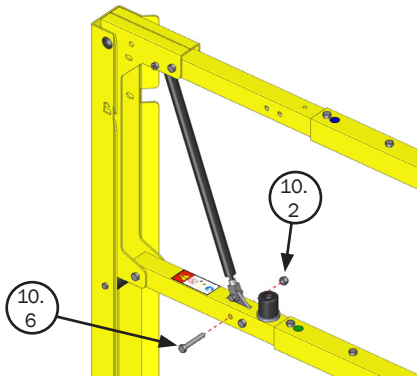
- a. As the gate approaches fully closed, you should hear a loud “click” noise of the dampener self-setting.

STEP 15. Visually verify that the dampener and dampener link self-set into the appropriate location.

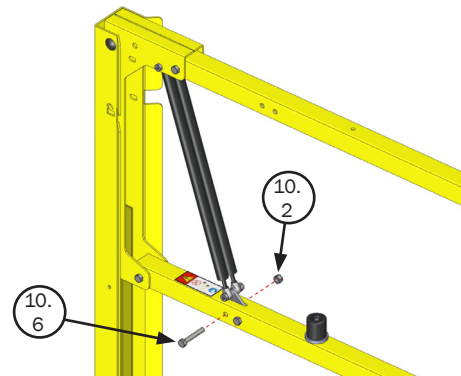
- a. Insert $\frac{3}{8}$ " hex bolt and tighten nylock nut.

▲ DANGER KEEP FINGERS CLEAR OF DAMPENER PIVOT POINTS, DAMPENER IS UNDER HIGH PRESSURE!

**Step 15
Illustration I**



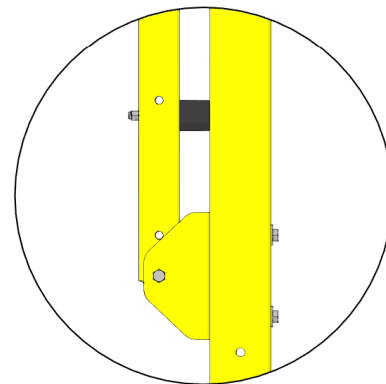
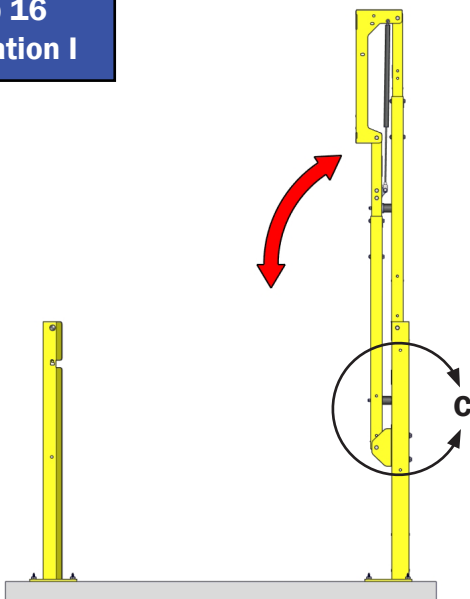
**Step 15
Illustration II**



STEP 16. Final adjustments of Smart Gate.

- a. To ensure the gate opens to precisely 90°, the Adjustable Clevis needs to be set.
- 1). Loosen $\frac{3}{8}$ " hex bolts and nylock nuts in Adjustable Clevis (DO NOT REMOVE BOLTS).
 - 2). Tip gate vertically to 90° to re-tighten $\frac{3}{8}$ " hex bolts and nylock nuts.
- b. To center Gate End into Catch Post:
- 1). Note direction of rotation the gate is “off”.
 - 2). Raise Gate to vertical, loosen the anchor nuts, rotate the base plate an appropriate amount, tighten nuts, and close gate to check centering.
 - 3). Repeat as necessary until Gate End falls centered into the Catch Post.
- c. Place Warning decal on the top arm, in the center, facing out, for gates installed at a trip or fall hazard.

**Step 16
Illustration I**



DETAIL C

NOTICE Installer MUST apply all appropriate labels to warn of the hazards that exist beyond the gate and labels to be installed on the appropriate side.

Installation

X. Disassembling Gate Instructions

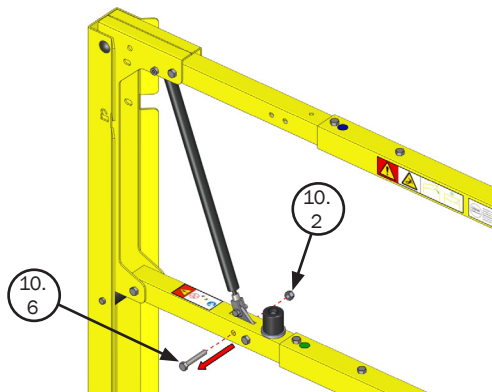
A. Only complete depressurization process if disassembling Smart Gate.

▲ DANGER SYSTEM UNDER HIGH PRESSURE! Refer to depressurization instructions in Operation and Maintenance Manual before doing any maintenance on the gate.

STEP 1. With gate in the closed position (gate arms horizontal).

- a. Remove only the leading $\frac{3}{8}$ " hex bolt and nylock nut from Dampener Mount Link (as shown in Illustration).

Step 1
Illustration I



STEP 2. Open or lift gate to the “open” position (gate arms vertical) before proceeding with Step 3.

- a. You will hear a click as the link rocks out of position, this is normal during the disassembly step.

▲ WARNING High internal gate forces! Before removing Gate Post base plate fasteners, the gate must be in the open position (gate arms vertical) so the dampener is in a non-compressed state.

STEP 3. With the Gate in the “open” position, remove the anchor nuts on the Gate Post.

- a. Use team lift to lay on the ground as shown for improved access during dampener installation.

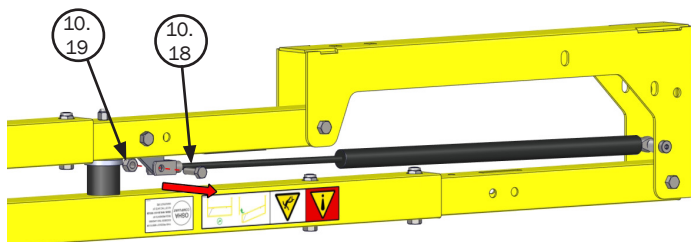
NOTICE To protect the Powder Coat finish, lay on cardboard.

▲ WARNING The Smart Gates are heavy. Verify weights and use appropriate lifting procedures and equipment.

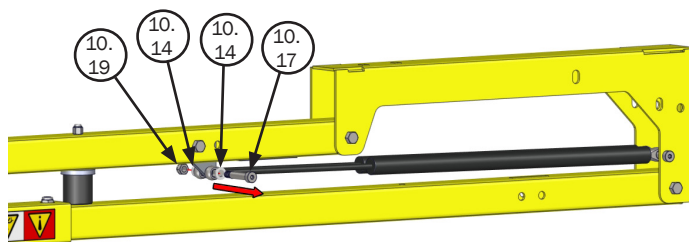
STEP 4. Carefully remove spacers, bolts, and nuts from Dampener end.

- a. For ESG-60-PCY Gates refer to Illustration I.
- b. For ESG-96/120/144-PCY Gates refer to Illustration II.

Step 4
Illustration I



Step 4
Illustration II



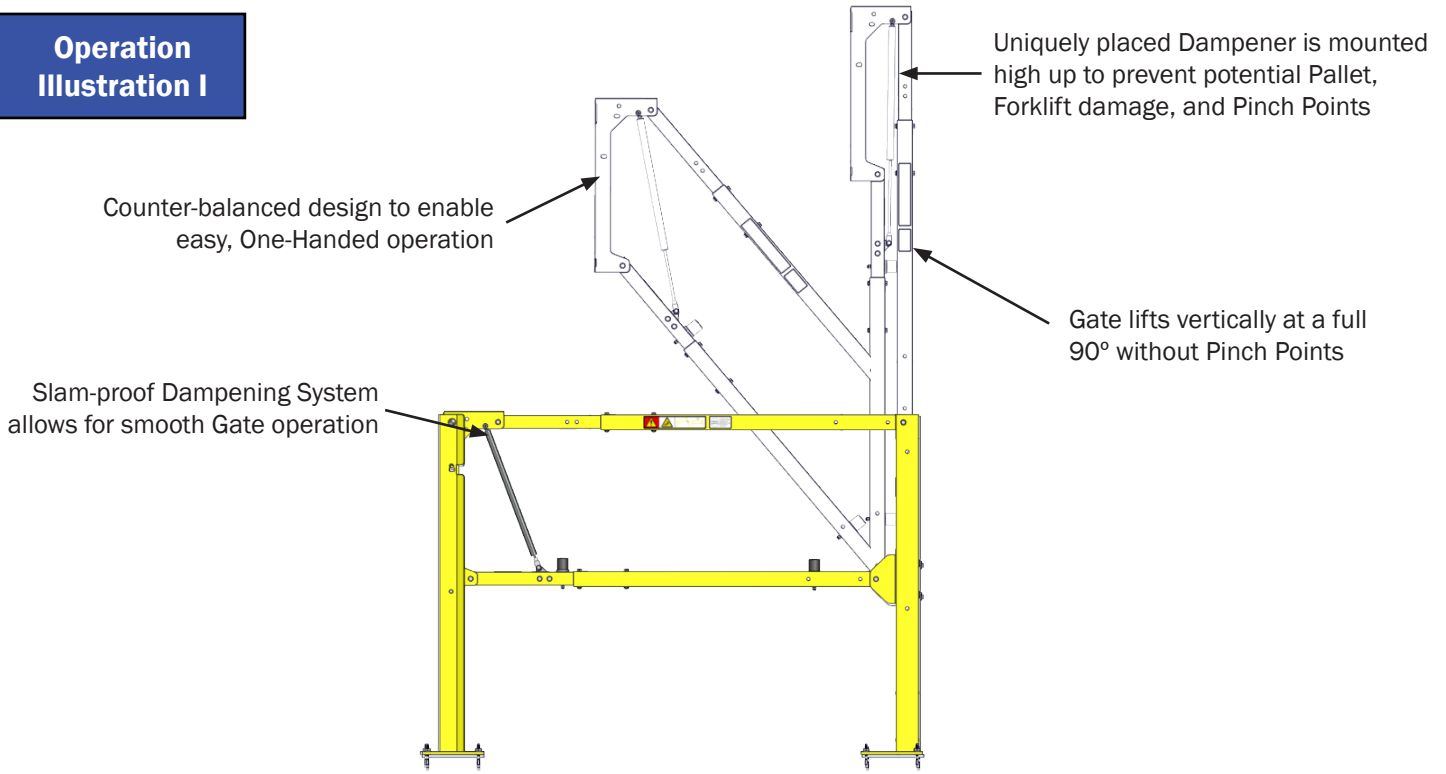
STEP 5. Remove the $\frac{3}{8}$ " shoulder bolt, spacer(s), and nut from Dampener at Gate end.

IMPORTANT! RETURN TO INSTALLATION STEP 13 THROUGH STEP 16 (Located on pages 11 and 12), AS SHOWN IN THIS OPERATIONS AND MAINTENANCE MANUAL.

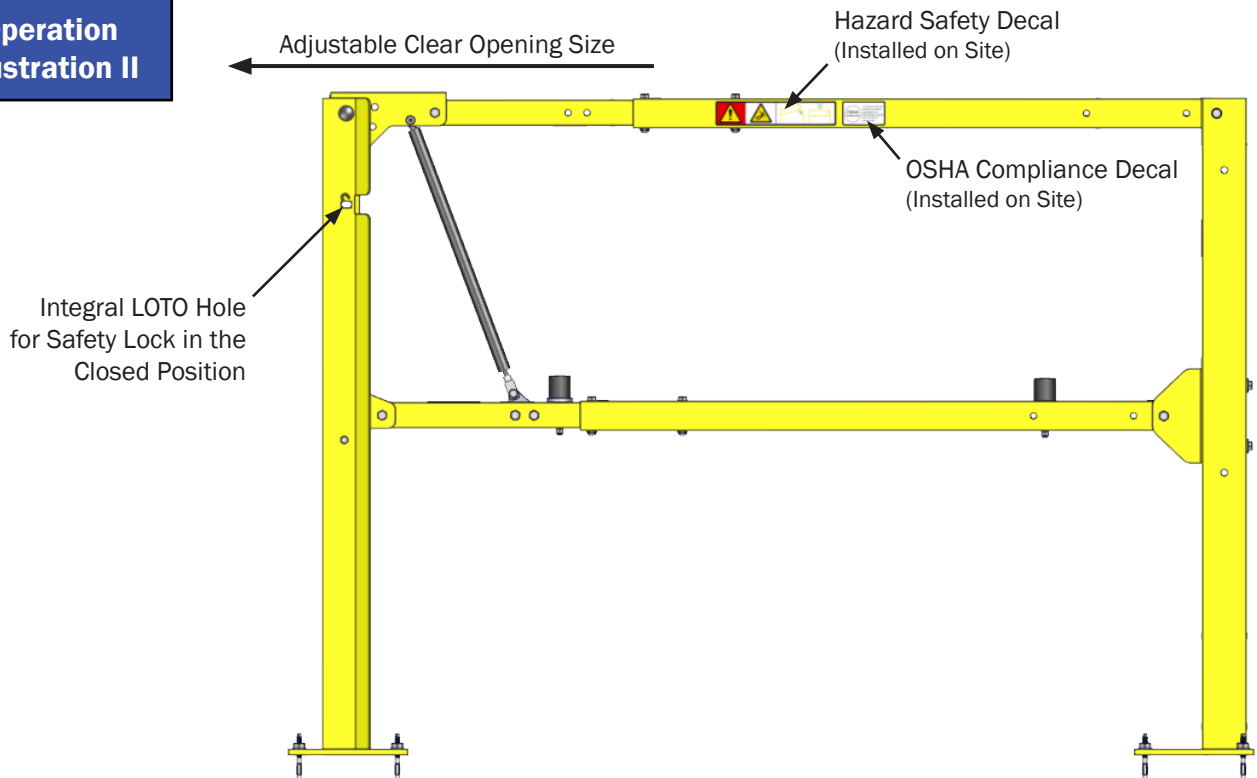
Operation

XI. Operation

Operation Illustration I



Operation Illustration II



NOTICE Installer MUST apply all appropriate labels to warn of the hazards that exist beyond the gate and labels to be installed on the appropriate side.

Replacement Parts List

XII. Replacement Parts List

- A. This Replacement Parts List is for all EdgeSafe™ Safety Gate Models.
 B. The Replacement Parts Diagrams are located on Page 16 and Page 17.

Finish Options	
PCY	Powder Coat Safety Yellow

Replacement Parts List				Hardware Variant for ESG-60-PCY			
ITEM #	DESCRIPTION	QTY	PART #	ITEM #	DESCRIPTION	QTY	PART #
1	ESG;GATE POST PCY	1	513414	4	ESG;2" UPR ARM 5FT PCY	1	514158
2	ESG;GATE CATCH PCY	1	513424	5	ESG;2" LWR ARM 5FT PCY	1	515307
3	ESG;ADJ CLEVIS PCY	1	513420	6	ESG;1.75" UPR ARM 5 FT PCY	1	514160
4	REFER TO HARDWARE VARIANT			7	ESG;1.75" LWR ARM 5FT PCY	1	515310
5	REFER TO HARDWARE VARIANT			9	ESG;DAMPENER 5 W/ENDS	1	514163
6	REFER TO HARDWARE VARIANT			~11	ESG;60"TOE BOARD KIT	1	515186
7	REFER TO HARDWARE VARIANT						
8	ESG;GATE END PCY	1	513437	Hardware Variant for ESG-96-PCY			
9	REFER TO HARDWARE VARIANT			ITEM #	DESCRIPTION	QTY	PART #
10	ESG;HARDWARE BAG	1	514647	4	ESG;2" UPR ARM 8FT PCY	1	513920
10.1	ANCHOR;PWRSTUD+SD1-3/8"X3"CS	8	513454	5	ESG;2" LWR ARM 8FT PCY	1	515308
10.2	NUT;NYLOCK 3/8"16 ZN	14	501120	6	ESG;1.75" UPR ARM PCY	1	513430
10.3	BOLT;HEX3/8"16X3 3/4GR5ZN	3	502934	7	ESG;1.75" LWR ARM PCY	1	515311
10.4	BOLT;HEX3/8"16X3GR5ZN	1	500411	9	ESG;DAMPENER 8 W/CLEVIS ENDS	2	513918
10.5	BOLT;HEX3/8"16X2 3/4GR5ZN	2	500406	~11	ESG;96"TOE BOARD KIT	1	515187
10.6	BOLT;HEX3/8"16X2 1/4GR5ZN	6	500405				
10.7	WASHER;FLAT 3/8"ZN	4	501947	Hardware Variant for ESG-120-PCY			
10.8	BEARING;FLANGE STAINLESS	10	514921	ITEM #	DESCRIPTION	QTY	PART #
10.9	BUMPER;ROUND 1-1/2"DIA X1-1/2	4	513133	4	ESG;2" UPR ARM 10FT PCY	1	513428
10.10	BOLT;HEX 1/4"20X3 3/4GR5ZN	1	502652	5	ESG;2" LWR ARM 10FT PCY	1	515309
10.11	BOLT;HEX 1/4"20X3 1/2GR5ZN	2	502651	6	ESG;1.75" UPR ARM PCY	1	513430
10.12	NUT;NYLOCK 1/4"20 ZN NYL CAP	3	514472	7	ESG;1.75" LWR ARM PCY	1	515311
10.13	SPACER;NYLON .406 X .625 X .60	2	514165	9	ESG;DAMPENER 10 W/CLEVIS ENDS	2	513462
10.14	SPACER;NYLON .80X.625X .125	2	515303				
10.15	WASHER;NYLON .274X.1.75X.25	1	514164	Hardware Variant for ESG-144-PCY			
10.16	BOLT;SHOULDER 3/8"X2-1/4	1	513779	ITEM #	DESCRIPTION	QTY	PART #
10.17	BOLT;SHOULDER 3/8"X1-1/2	1	515314	4	ESG;2" UPR ARM 12FT PCY	1	513726
10.18	BOLT;HEX5/16"18X1GR5ZN	1	500422	5	ESG;2" LWR ARM 12FT PCY	1	515312
10.19	NUT;NYLOCK 5/16"18 HEAVY ZN	2	513780	6	ESG;1.75" UPR ARM PCY	1	513430
10.20	ESG;DAMPENER MOUNT LINK SS	1	514162	7	ESG;1.75" LWR ARM PCY	1	515311
10.21	BUMPER;SBR60 1/2"x1/8"	2	515343	9	ESG;DAMPENER 12 W/CLEVIS ENDS	2	513718
~11	REFER TO HARDWARE VARIANT						

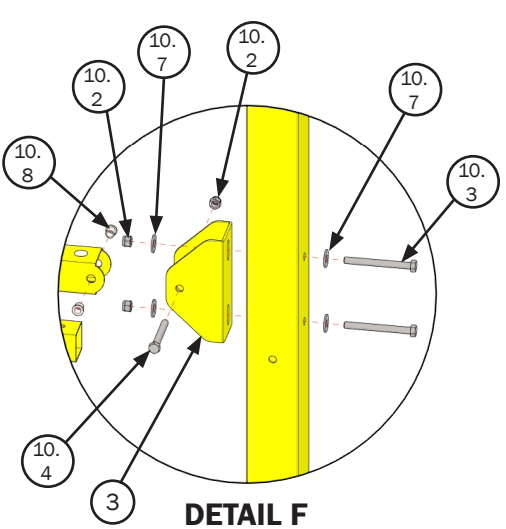
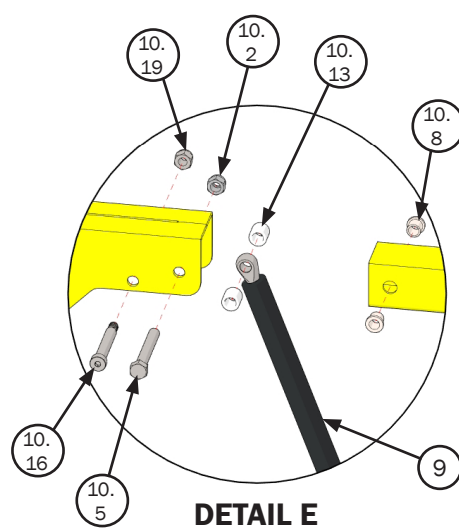
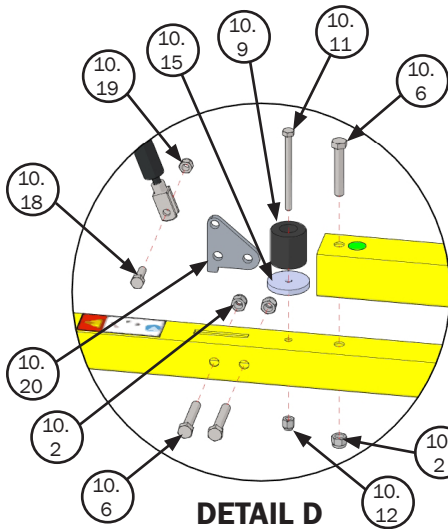
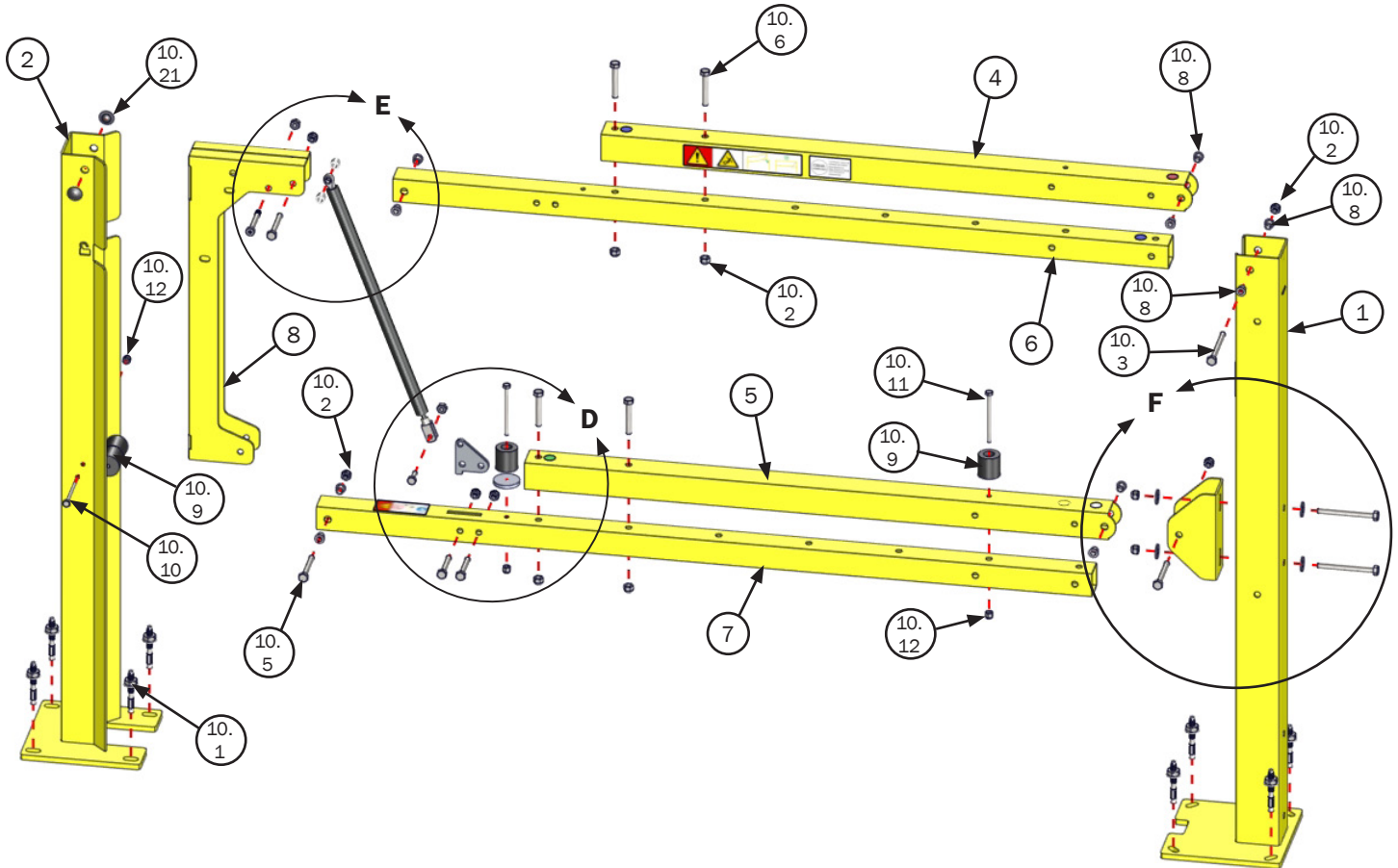
~AVAILABLE OPTIONS: To Order Contact PS Safety Access.

**TO ORDER PARTS CONTACT PS SAFETY ACCESS AT
 877.446.1519 or 4psinfo@psindustries.com**

Replacement Parts Diagram

XIII. Replacement Parts Diagram

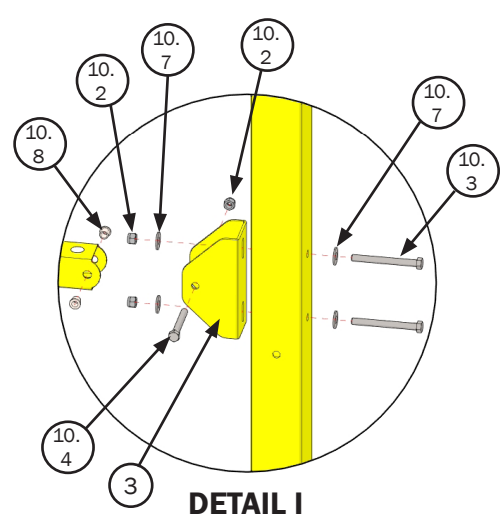
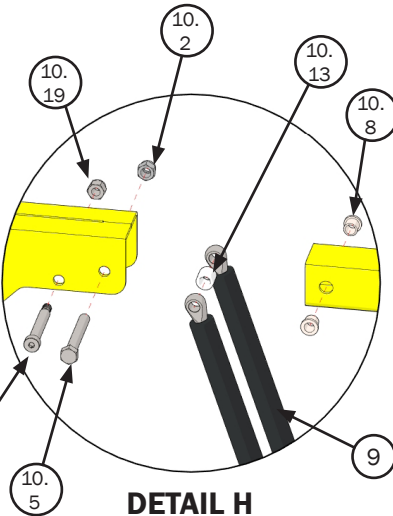
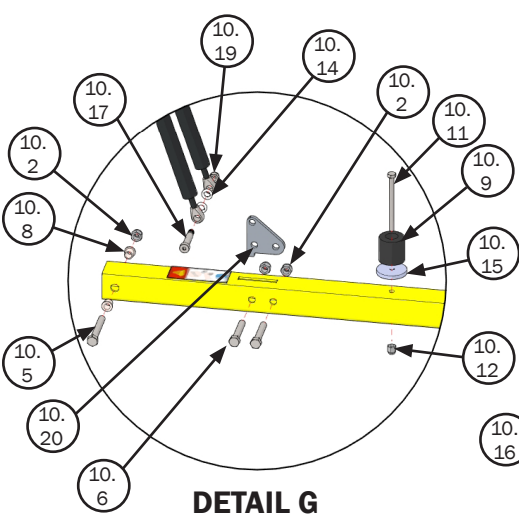
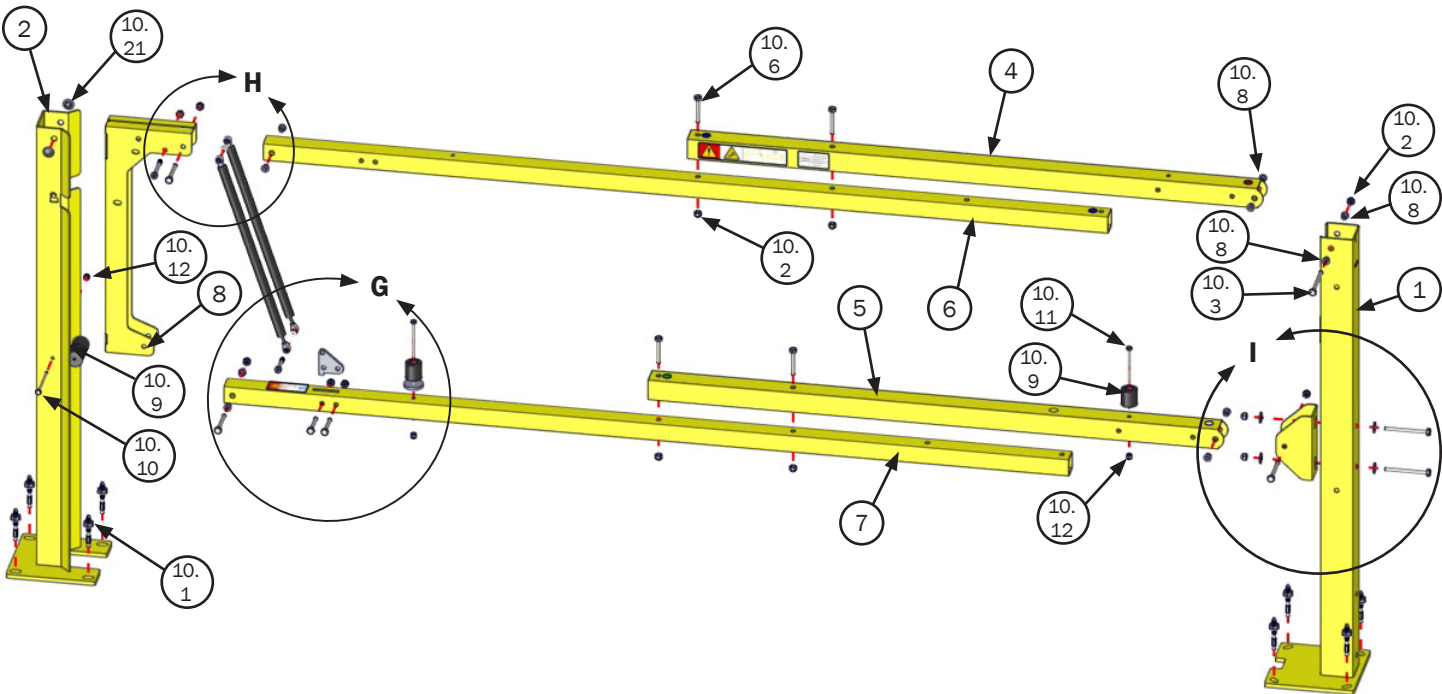
- A. These Replacement Parts Diagrams for ESG-60-PCY Models.
- B. The Replacement Parts List is located on Page 15.



Replacement Parts Diagram

XIII. Replacement Parts Diagram Continued

- A. These Replacement Parts Diagrams for ESG-96-PCY, ESG-120-PCY, and ESG-144-PCY Models.
- B. The Replacement Parts List is located on Page 15.



Inspection and Maintenance

XIV. Inspection and Maintenance

- A. Environmental conditions may affect the maintenance and repair requirements of the product, and recommended preventative maintenance frequency.
- B. If any of the inspection items are found to not meet the standard IMMEDIATELY “TAG OUT” the EdgeSafe® Smart Gate removing it from active use and guard the opening until repairs are completed.

NOTICE PS Safety Access recommends that the owner implement a regular and preventative maintenance program to inspect and maintain Smart Gate at a minimum, in accordance with the recommendations in the table below.

▲ WARNING While performing maintenance and inspection ensure personnel utilize appropriate fall protection equipment and procedures.

Recommended Preventative Maintenance					
ITEM	FREQUENCY	ITEM DESCRIPTION	WHAT TO INSPECT	STANDARD	REPAIR ACTION
1	Each Use	General Housekeeping	Opening	Opening must be kept free of debris and obstructions.	Always keep area clean.
2	Weekly	Gate	Gate for corrosion or damage.	To protect the structural integrity and provide engineered safety protection.	Touch up finishes, or refinish as necessary.
			Welds	Welds are intact without visible cracks or crazing.	Repair or Replace component immediately.
			Gate alignment and free movement.	Gate must move freely without any interference; levelness from ground/walking surface.	Adjust gate as necessary.
3	Weekly	Posts	Post assemblies for corrosion or damage.	To protect the structural integrity and provide engineered safety protection.	Touch up finishes, or refinish as necessary.
			Welds	Welds are intact without visible cracks or crazing.	Repair or Replace component immediately.
4	Monthly	Structural Attachment	All Fasteners (Structural Attachment)	Fasteners must be present and be Snug Tight; connections pulled into firm contact by the fastener, no gaps between material.	Tighten fasteners to snug tight. Replace any missing fasteners.
5	Monthly	Dampener	Dampener for free movement and no corrosion or damage.	Must be free of all debris, operates smoothly without interference.	Replace if damage or deterioration to Dampener has occurred. Use only Factory approved products.
			Self-lubrication	Must be well lubricated.	Run Dampeners through full stroke length to re-lubricate.
6	Monthly	Labels	All labels	Manufacturer's labels in place and legible.	Replace. Contact manufacturer for FREE replacement labels.

PS INDUSTRIES® INCORPORATED – LIMITED WARRANTY

Limited Warranty: Subject to the terms of this Limited Warranty, PS Industries® Incorporated warrants to the original user or consumer (the "Owner") of a PS Industries product (the "Product") that, for a period of one (1) year from date of shipment, the Product will be free from defects in material and workmanship under normal use and service, and provided the Product is installed, operated and maintained in accordance with instructions supplied by PS Industries. The terms and limitations of this Limited Warranty apply to all repaired or replacement Products for a term equal to the balance of the warranty remaining on the Product that was repaired or replaced as of the date of such repair or replacement. Register online at: www.psindustries.com/contact/register-your-product

PS Flood Barriers™ Product Warranty Registration: For PS Flood Barriers™ Products, this Limited Warranty will only be valid if the Owner completes the Warranty Registration Form provided within thirty (30) days of Product installation. To request a copy of the Warranty Registration Form, contact PS Industries Incorporated, 1150 S. 48th Street, Grand Forks, ND 58201, phone 877-446-1519, email: 4psinfo@psindustries.com. Register online at: www.psindustries.com/contact/register-your-product/ Additional Warranty Registration Forms can be downloaded at www.psfloodbarriers.com/download-center/

Warranty Exclusions: Notwithstanding anything to the contrary, this Limited Warranty does not cover any of the following:

1. Normal wear and tear (including, but not limited to, normal wear and tear to gaskets and weather seals); damage or accidents resulting from freight damage, from failure to follow precautionary safety measures, or applied paint failure; abuse, misuse or unauthorized modification of the Product; misapplication; improper installation; or any defects, damage or other harm that is not the result of the acts or omissions of PS Industries.
2. Cost of field labor or other charges incurred by Owner in removing and/or re-affixing the Product or any part or component thereof.
3. Transportation costs.

Unauthorized modification of or to the Product voids this Limited Warranty. Authorized modifications, received in writing from PS Industries, as long as the modification is accomplished in strict accordance with PS Industries' instructions, does not void warranty. To request product modifications contact PS Industries, 1150 S. 48th Street, Grand Forks, ND 58201, phone 877-446-1519, email: 4psinfo@psindustries.com.

Claim Procedure: To make a claim under this Limited Warranty, the claim must be received by PS Industries before the expiration of the above stated Limited Warranty period together with proof of purchase. Contact PS Industries at the address shown below.

PS Industries Incorporated	Toll Free: 877-446-1519
Attention: Warranty	Phone: 701-746-4519
1150 S. 48th Street	Fax: 701-746-8340
Grand Forks, ND 58201	E-mail: 4psinfo@psindustries.com

An authorized PS Industries representative must be given a reasonable opportunity to inspect and investigate the alleged Product defect prior to any work being done that affects the Product or its installation. PS Industries reserves the right to charge reasonable amounts for travel and labor associated with investigation of claims. PS Industries may also require photographs of the alleged Product defect or return of the Product or part to a designated PS Industries location, freight prepaid. A return goods authorization must be received prior to the return of the Product or part. Please contact PS Industries to determine the designated location for return and to obtain the return material authorization.

Exclusive Remedy: In the event of a warranty claim that PS Industries determines to be covered by this Limited Warranty, PS Industries will replace or repair, at PS Industries' discretion, the Product or any part of the Product found to be defective.

Disclaimers: The above warranty and remedy is the sole express warranty and remedy given by PS Industries on its Product. No warranties or representations at any time made by any representative from PS Industries shall vary or expand the provisions hereof. TO THE EXTENT PERMITTED BY LAW, ALL EXPRESS AND IMPLIED WARRANTIES (INCLUDING IMPLIED WARRANTIES OF MERCHANTABILITY, FITNESS FOR A PARTICULAR PURPOSE AND NON-INFRINGEMENT) OTHER THAN THE EXPRESS LIMITED WARRANTY SET FORTH ABOVE ARE EXPRESSLY DISCLAIMED. UPON THE EXPIRATION OF THE ABOVE STATED LIMITED WARRANTY PERIOD, ANY AND ALL APPLICABLE IMPLIED WARRANTIES, INCLUDING, WITHOUT LIMITATION, WARRANTIES OF MERCHANTABILITY, FITNESS FOR A PARTICULAR PURPOSE AND NON-INFRINGEMENT, ARE DISCLAIMED. SOME STATES DO NOT ALLOW LIMITATION ON HOW LONG AN IMPLIED WARRANTY LASTS, SO THE ABOVE LIMITATION MAY NOT APPLY TO OWNER.

LIABILITY LIMITATION: In no event will PS Industries' liability to Owner or any other person or entity exceed the price paid to PS Industries for the defective Product. IN NO EVENT SHALL PS INDUSTRIES BE LIABLE TO OWNER OR ANY OTHER PERSON OR ENTITY FOR INCIDENTAL, CONSEQUENTIAL, INDIRECT OR SPECIAL DAMAGES OF ANY DESCRIPTION, WHETHER ARISING OUT OF WARRANTY (INCLUDING ANY IMPLIED WARRANTIES) OR ANY OTHER CONTRACT, STRICT LIABILITY, NEGLIGENCE OR OTHER TORT, OR OTHERWISE, INCLUDING ARISING FROM INSPECTION OR REMEDY DELAYS. SOME STATES DO NOT ALLOW THE EXCLUSION OR LIMITATION OF INCIDENTAL OR CONSEQUENTIAL DAMAGES, SO THE ABOVE LIMITATION AND EXCLUSION MAY NOT APPLY TO OWNER.

THIS WARRANTY GIVES OWNER SPECIFIC LEGAL RIGHTS AND OWNER MAY ALSO HAVE OTHER RIGHTS, WHICH VARY FROM STATE TO STATE.



877.446.1519

4psinfo@psindustries.com | pssafetyaccess.com
1150 South 48th Street | Grand Forks, ND 58201

Product Registration:
psindustries.com/contact/register-your-product