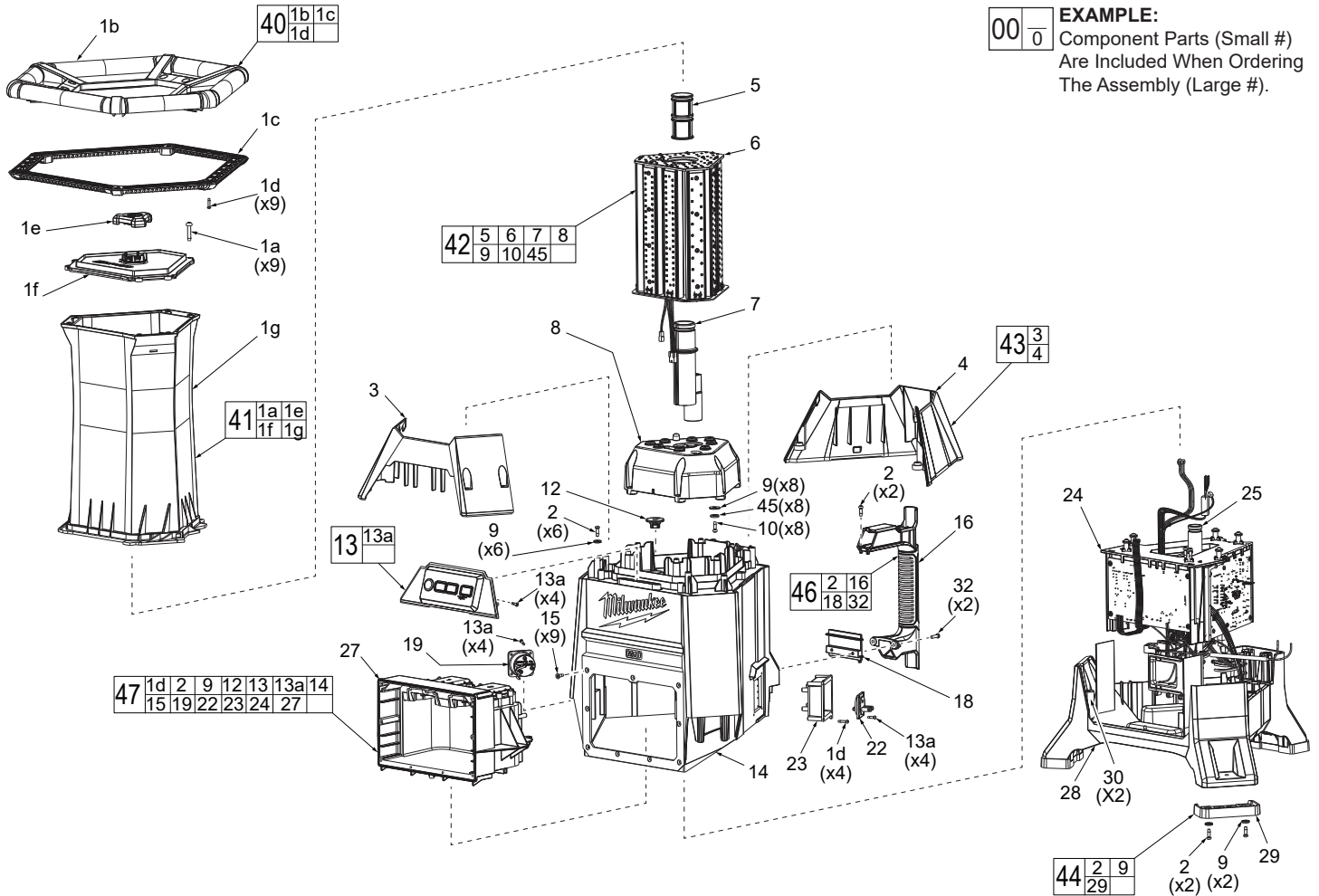




# SERVICE PARTS LIST

BULLETIN NO.  
54-06-2170

SPECIFY CATALOG NO. AND SERIAL NO. WHEN ORDERING PARTS		REVISED BULLETIN	DATE
<b>M18™ RADIUS™ Site Light</b>			Mar. 2020
CATALOG NO. <b>2151-20</b>	STARTING SERIAL NO. <b>J42A</b>	WIRING INSTRUCTION <b>See Page 2 and 3</b>	



**EXAMPLE:**  

00	0
----	---

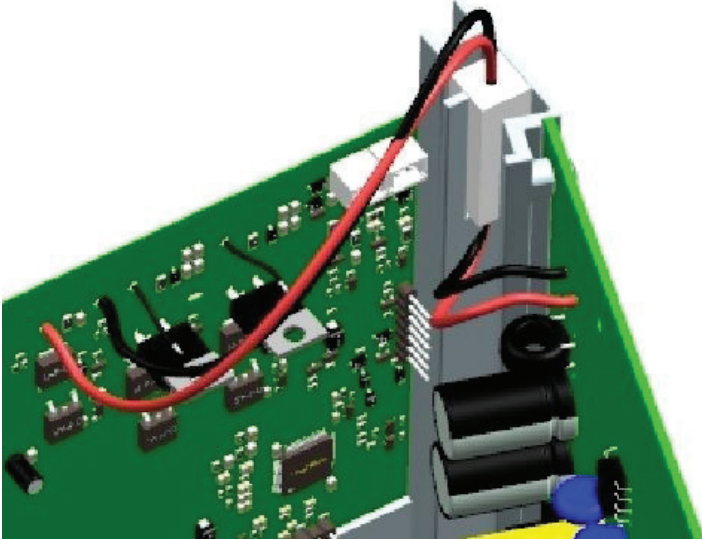
 Component Parts (Small #)  
 Are Included When Ordering  
 The Assembly (Large #).

FIG.	PART NO.	DESCRIPTION OF PART	NO. REQ.
1a	06-82-2250	M5 x 29mm Pan Hd. T-25 Screw	(6)
1b	-----	Top Handle	(1)
1c	-----	Top handle Cover	(1)
1d	06-82-0190	M3 x 14mm St. T-10 Screw	(13)
1e	-----	Chimney Cap	(1)
1f	-----	Top lens	(1)
1g	-----	Main Lens	(1)
2	06-82-0195	M4 x 13.5mm Pan Hd. Screw	(10)
3	-----	Housing Cone Front	(1)
4	-----	Housing Cone Back	(1)
5	45-76-0077	Top Chimney	(1)
6	-----	Light Engine	(1)
7	-----	Chimney Adapter	(1)
8	-----	Light Engine Base	(1)
9	45-88-2060	Washer	(16)
10	05-88-1210	M4 x 14mm Pan Hd. T-20 Screw	(8)
12	43-40-0050	Rubber Piston	(1)
13	-----	UI Assembly	(1)
13a	-----	M3 x 11mm Pan Hd. Screw	(12)
14	-----	Main Housing	(1)
15	05-78-0135	M4 x 12mm Pan Hd. Phillips Screw	(9)
16	-----	Side Handle	(1)

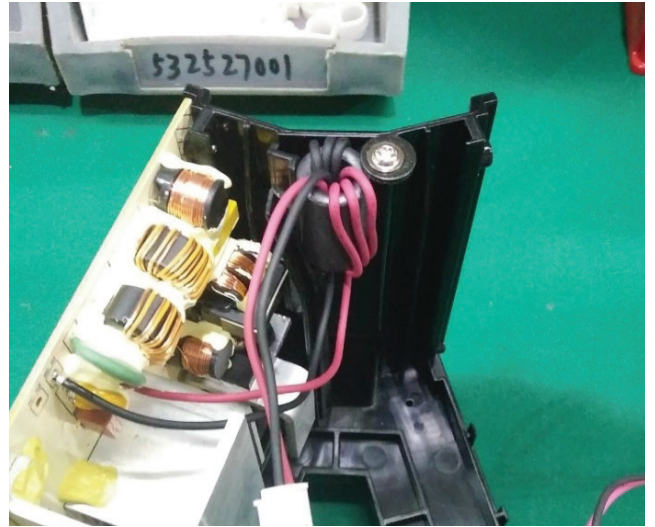
FIG.	PART NO.	DESCRIPTION OF PART	NO. REQ.
18	-----	Side Handle Support	(1)
19	23-33-0005	AC Output	(1)
22	23-33-0010	AC Input	(1)
23	-----	Inlet Base	(1)
24	-----	PCB Holder Assembly	(1)
25	45-76-0076	Chimney Tube	(1)
27	-----	Box Assembly	(1)
28	42-20-2002	Bottom Base	(1)
29	-----	Rubber Boot	(1)
30	31-44-5001	Screw Cover	(2)
32	06-82-1020	M4 x 14mm Pan Hd. T-20 Screw	(2)
40	14-34-0005	Top Handle Assembly	(1)
41	44-06-1001	Lenses Assembly	(1)
42	23-28-0001	Light Engine Service Assembly	(1)
43	43-76-0045	Cone Housing Assembly	(1)
44	14-74-0115	Rubber Boot Kit	(3)
45	05-90-0225	Spring Washer	(8)
46	42-62-0005	Side Handle Assembly	(1)
47	14-20-2200	Base / PCBA Assembly	(1)
48	12-20-2055	Service nameplate (Not Shown)	(1)
49	10-20-3000	Warning Label (Not Shown)	(1)

## Wire Routing:

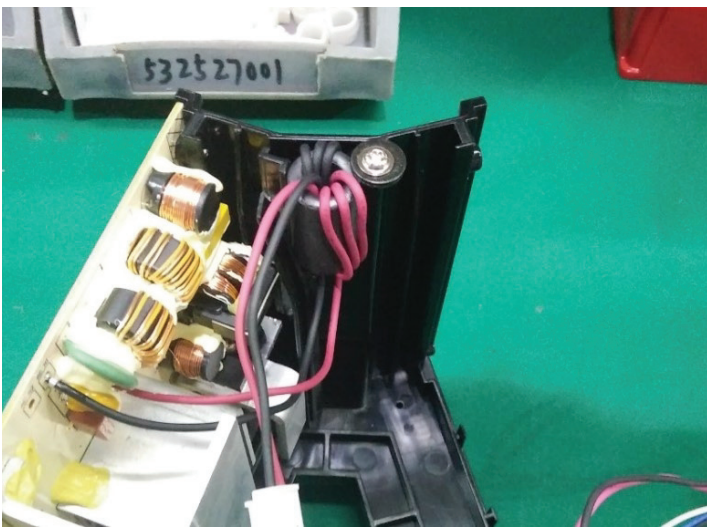
1. Connect wire harness from AC board to the control board wire harness.



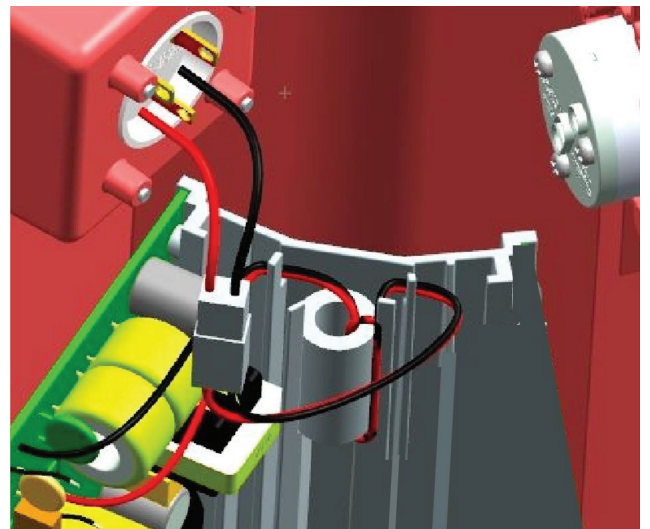
2. Set Ferrite Bead to PCB Holder with a screw and washer.



3. Gather wires from terminals and fasten wire clip to housing.

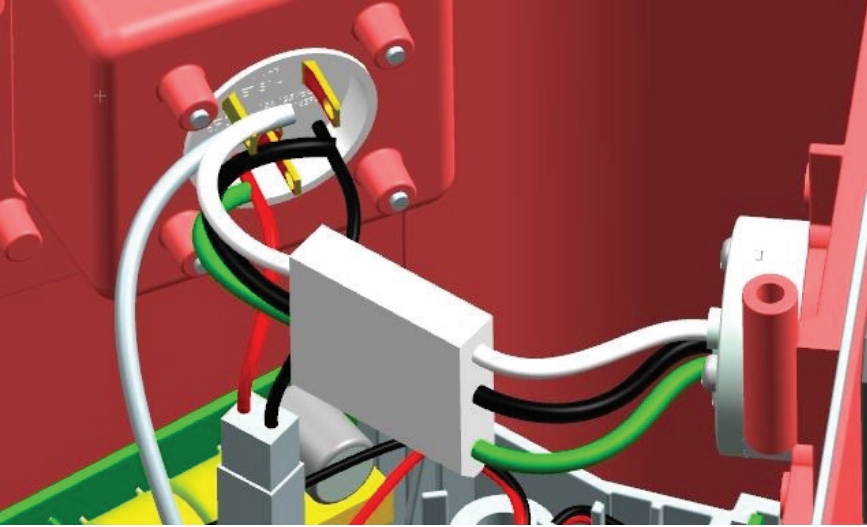


4. Connect wire harness from power board to AC inlet terminal.

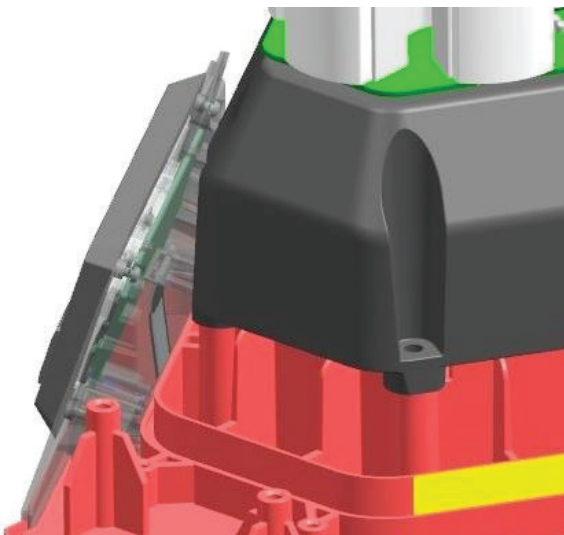


## Wire Routing:

5. Connect AC inlet terminal to Output terminal.



6. Connect Wires from control board to UI board.



7. Connect Wires from Control board to Light Engine and ground wire from AC inlet to light engine.

