



SERVICE PARTS LIST

BULLETIN NO.
54-06-2160

SPECIFY CATALOG NO. AND SERIAL NO. WHEN ORDERING PARTS		REVISED BULLETIN	DATE
M18™ ROCKET™ Dual Pack TOWER LIGHT with One-Key™			Sept. 2018
CATALOG NO.	2120-20	STARTING SERIAL NO.	J05A
		WIRING INSTRUCTION	

EXAMPLE:
Component Parts (Small #)
Are Included When Ordering
The Assembly (Large #).

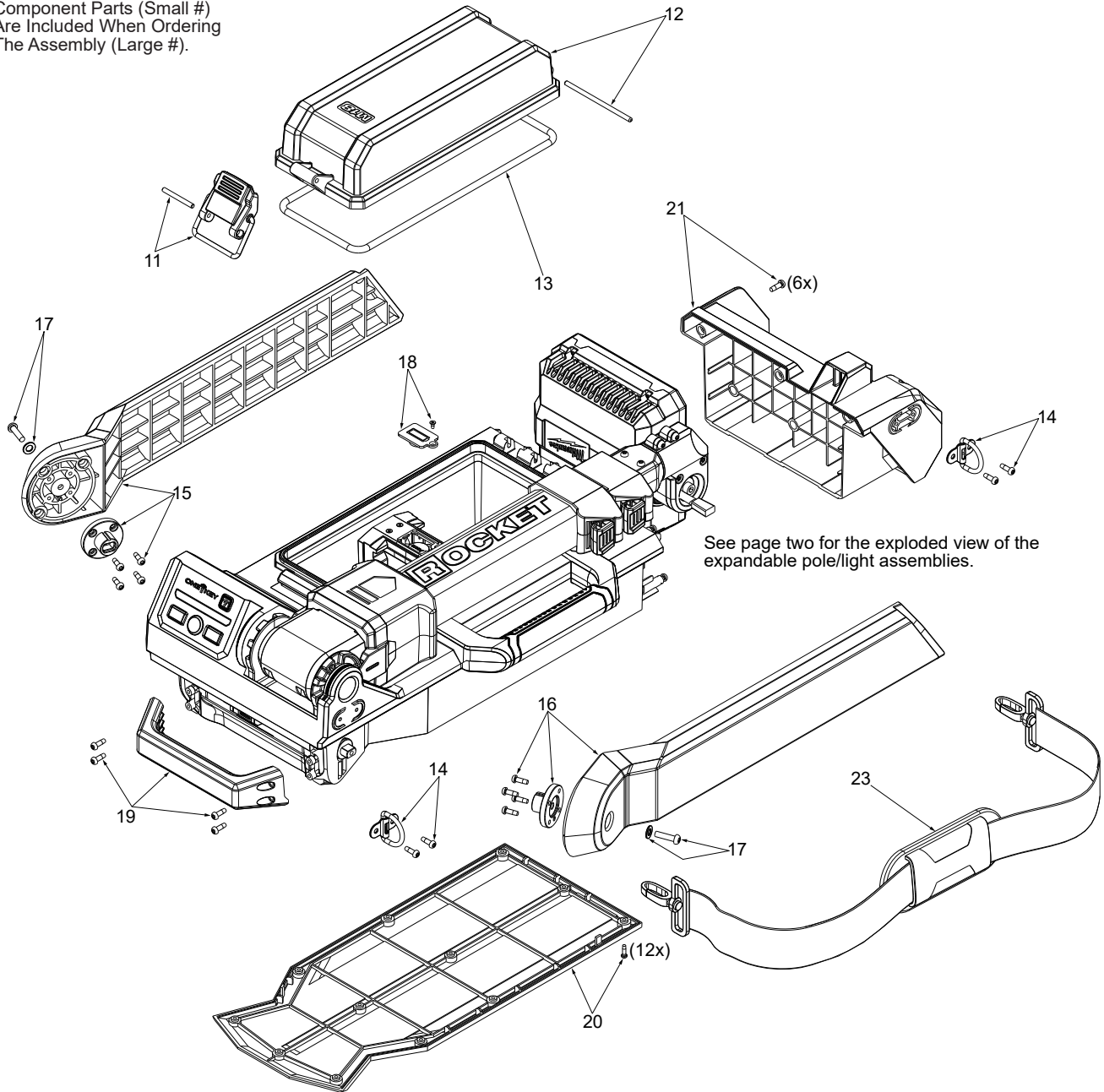


FIG.	PART NO.	DESCRIPTION OF PART	NO. REQ.
11	42-68-2120	Lid Latch Kit	(1)
12	31-44-2120	Lid with Pin Kit	(1)
13	34-40-2121	Lid Gasket	(1)
14	42-68-2121	Main Body Cap Buckle Kit	(2)
15	44-04-2120	Left Leg Assembly	(1)
16	44-04-2121	Right Leg Assembly	(1)
17	45-04-2120	Leg Screw Kit	(2)
18	50-11-2120	Coin Cell Cover and Screw Kit	(1)
19	31-44-2122	Front Handle Kit	(1)
20	31-44-2126	Bottom Wear Plate Kit	(1)
21	31-44-2124	Main Body Cap Kit	(1)
23	45-56-2120	Shoulder Strap	(1)
24	12-20-1005	Service Nameplate (Not Shown)	(1)

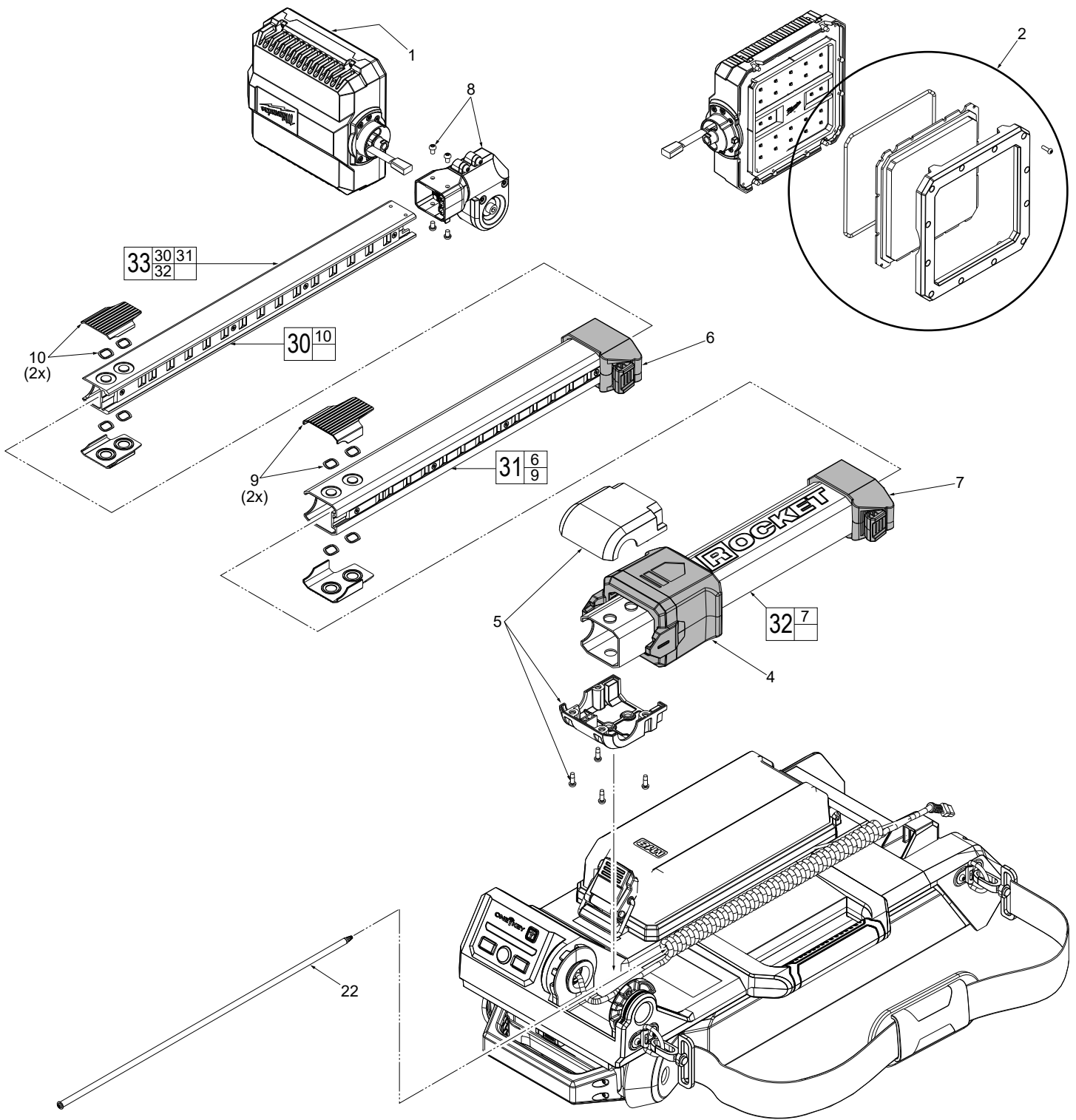


FIG.	PART NO.	DESCRIPTION OF PART	NO. REQ.
1	44-06-2120	Lens Assembly with Wire Connection	(1)
2	44-06-2125	Lens Kit	(1)
4	42-78-2125	Mast Lock Assembly	(1)
5	42-78-2126	Mast Lock Cover Kit	(1)
6	31-17-2120	Upper Pole Clamp Kit	(1)
7	31-17-2121	Middle Pole Clamp Kit	(1)
8	31-12-2120	Lamp Head Kit	(1)
9	44-52-2120	Middle Pole Wear Clamp Kit (Set of 2)	(1)
10	44-52-2121	Upper Pole Wear Pad Kit (Set of 2)	(1)
22	44-94-2120	Rod Assembly with Screw	(1)
30	-----	Upper Pole Assembly	(1)
31	-----	Middle Pole Assembly	(1)
32	-----	Lower Mast Assembly	(1)
33	42-78-2120	Mast/Pole Assembly	(1)