



ARIENS
THE KING OF SNOW

Commercial 21

Parts Manual

Models:

938024

938025



THE MANUAL

Before you operate your unit, carefully and completely read manuals supplied with the unit. The contents will provide you with an understanding of safety instructions and controls during normal operation and maintenance.

For your safety and the safety of others always read, understand, and follow all DANGER, WARNING, and CAUTION messages found in manuals and on safety decals.

Hardware descriptions are given in decimals.

Decimals to Fractions			
.063	1/16	.563	9/16
.125	1/8	.625	5/8
.188	3/16	.688	11/16
.250	1/4	.750	3/4
.313	5/16	.813	13/16
.375	3/8	.875	7/8
.438	7/16	.938	15/16
.500	1/2	1.00	1

SERVICE AND REPLACEMENT PARTS

When ordering replacement parts or making service inquiries, know the Model and Serial numbers of your unit and engine.

Numbers are located on the product registration card in the unit literature package. They are printed on a serial number label, located on the frame of your unit.

- Record Unit Model and Serial numbers here:

- Record Engine Model and Serial numbers here:

UNAUTHORIZED REPLACEMENT PARTS

Use only Ariens replacement parts. The replacement of any part on this vehicle with anything other than an Ariens authorized replacement part may adversely affect the performance, durability, or safety of this unit and may void the warranty. Ariens disclaims liability for any claims or damages, whether warranty, property damage, personal injury or death arising out of the use of unauthorized replacement parts.

PRODUCT REGISTRATION

The Ariens dealer must register the product at the time of purchase. Registering the product will help the company process warranty claims or contact you with the latest service information. All claims meeting requirements during the limited warranty period will be honored, whether or not the product registration card is returned. Keep a proof of purchase if you do not register your unit.

Customer Note: If Dealer does not register your product, please fill out, sign and return the product registration card to Ariens or go to www.ariens.com.

YOUR SATISFACTION IS IMPORTANT

Questions? Please follow these helpful steps:

1. Refer to the manuals supplied with your unit.
They will guide you through safe and proper operation and maintenance.
They contain specifications on your unit.
If your questions are not answered in these manuals, go to step number two.

2. Contact Your Dealer.
Our dealers will be happy to supply any service or advice required to keep your unit operating at peak efficiency.

A factory trained staff is available to support your equipment needs. They stock genuine Ariens parts and lubricants manufactured with the same precision and skill as the original.

If your questions are not resolved by the support staff, ask for the manager or owner.

When contacting your Dealer supply your model and serial numbers.

TO SPEED PARTS ORDERING:

1. Know the model and serial numbers of your unit.
2. Know the part number required.
3. Know the quantity required.
4. Know the part description.

MODELS

Model 938024 (Commercial 21)
SS21 Commercial-Manual Chute
Serial No. 000101+

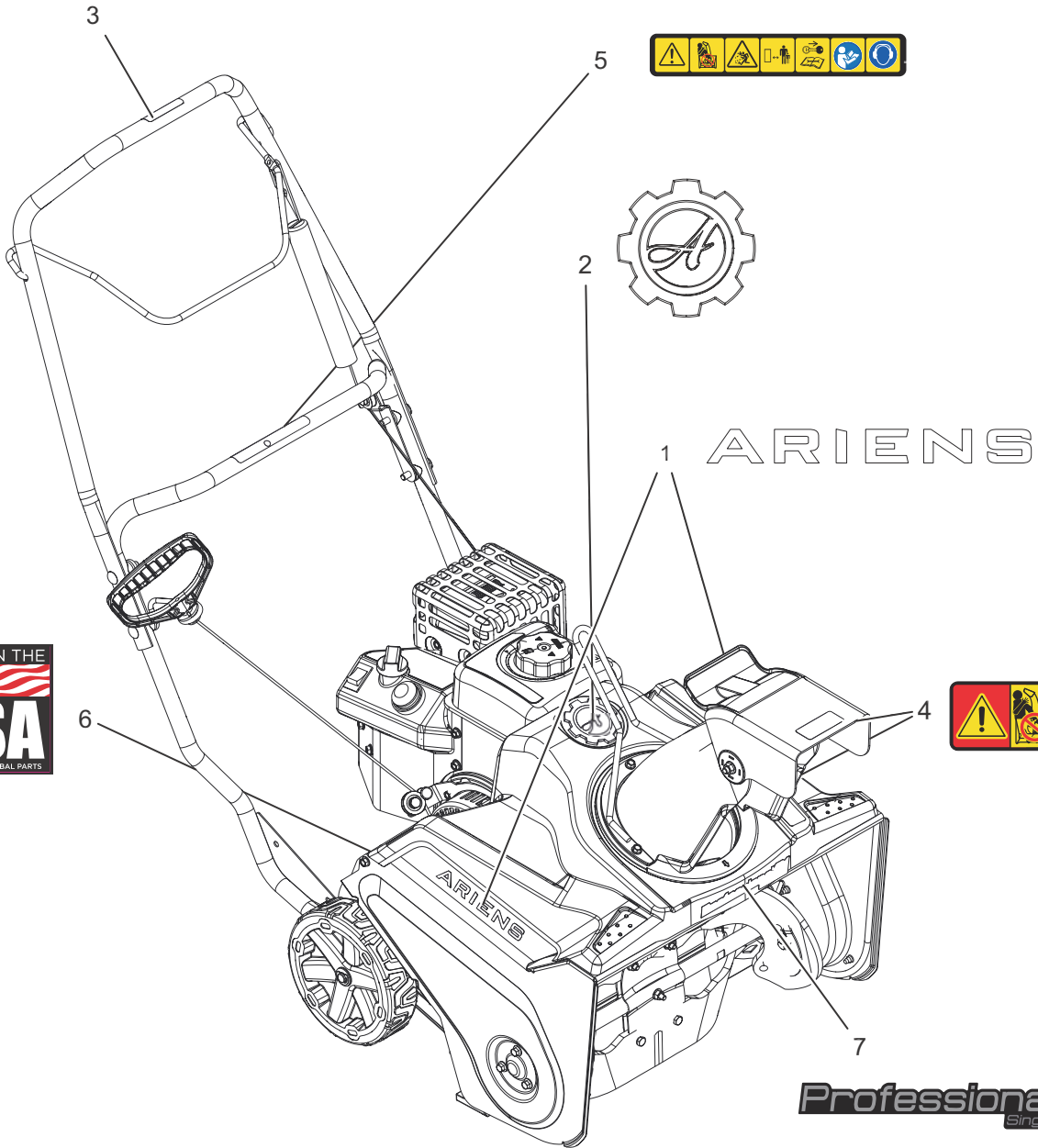
Model 938025 (Commercial 21)
SS21 Commercial-Remote Chute
Serial No. 000101+

TABLE OF CONTENTS

Decals	4
Frame	5
Engine and Belt Drive	6
Cover	7
Discharge Chute	8
Discharge Chute	9
Chute – Remote	10
Auger	11
Handlebars and Wheels	12

DECALS

Models All

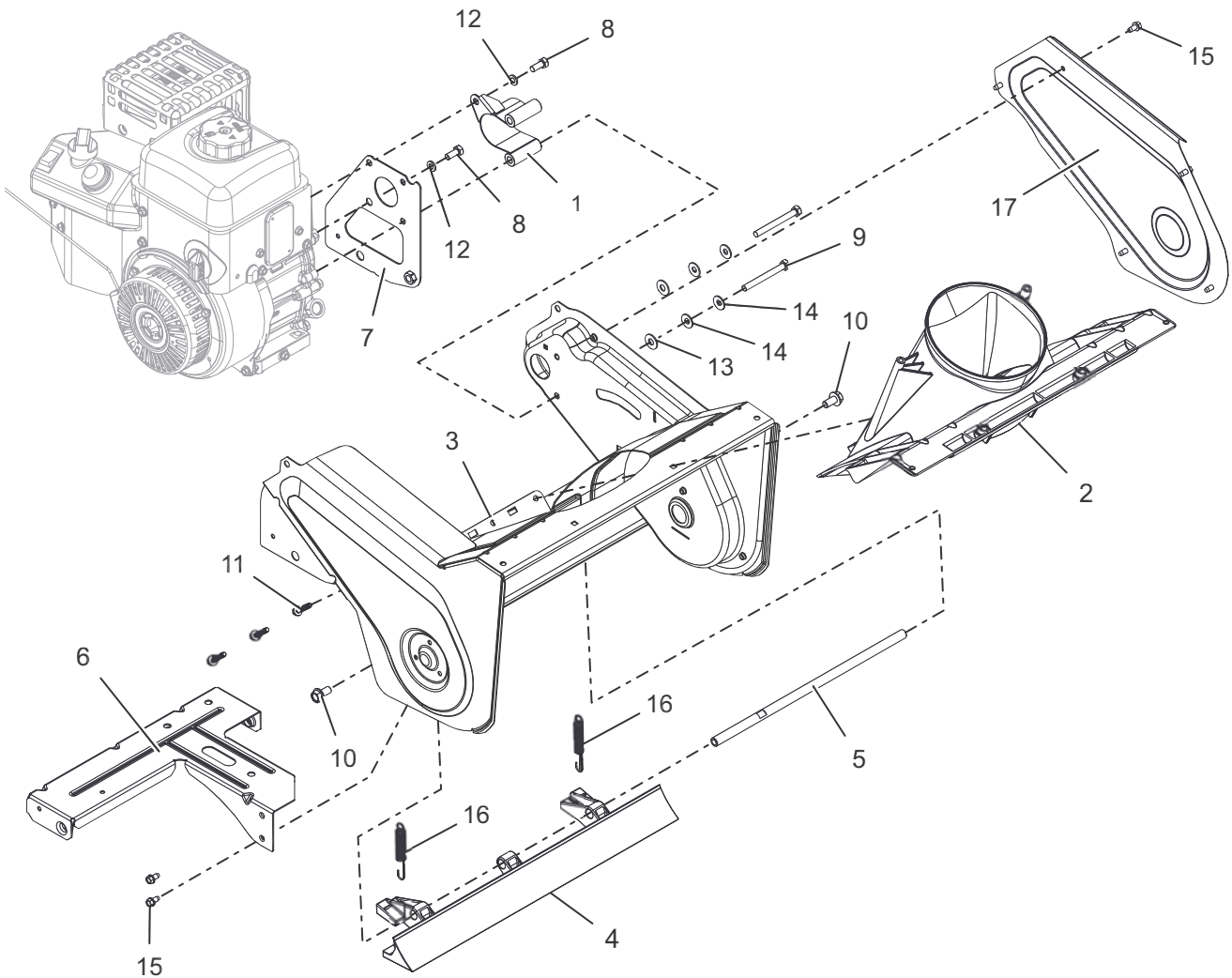


Professional²¹
Single Stage

BOM ID	Number	Qty	Description
1	07800829	2	DECAL, ARIENS 6.00"
2	07800837	1	DECAL, ARIENS - GEAR BADGE (THK)
3	07843500	1	DECAL, AUGER / IMPELLER BAIL
4	08000826	2	DECAL, IMPELLER DANGER
5	08000945	1	DECAL, SAFETY DASH
6	08001038	1	DECAL, MADE IN USA
7	08001138	1	DECAL, COVER - PRO 21" CSS

FRAME

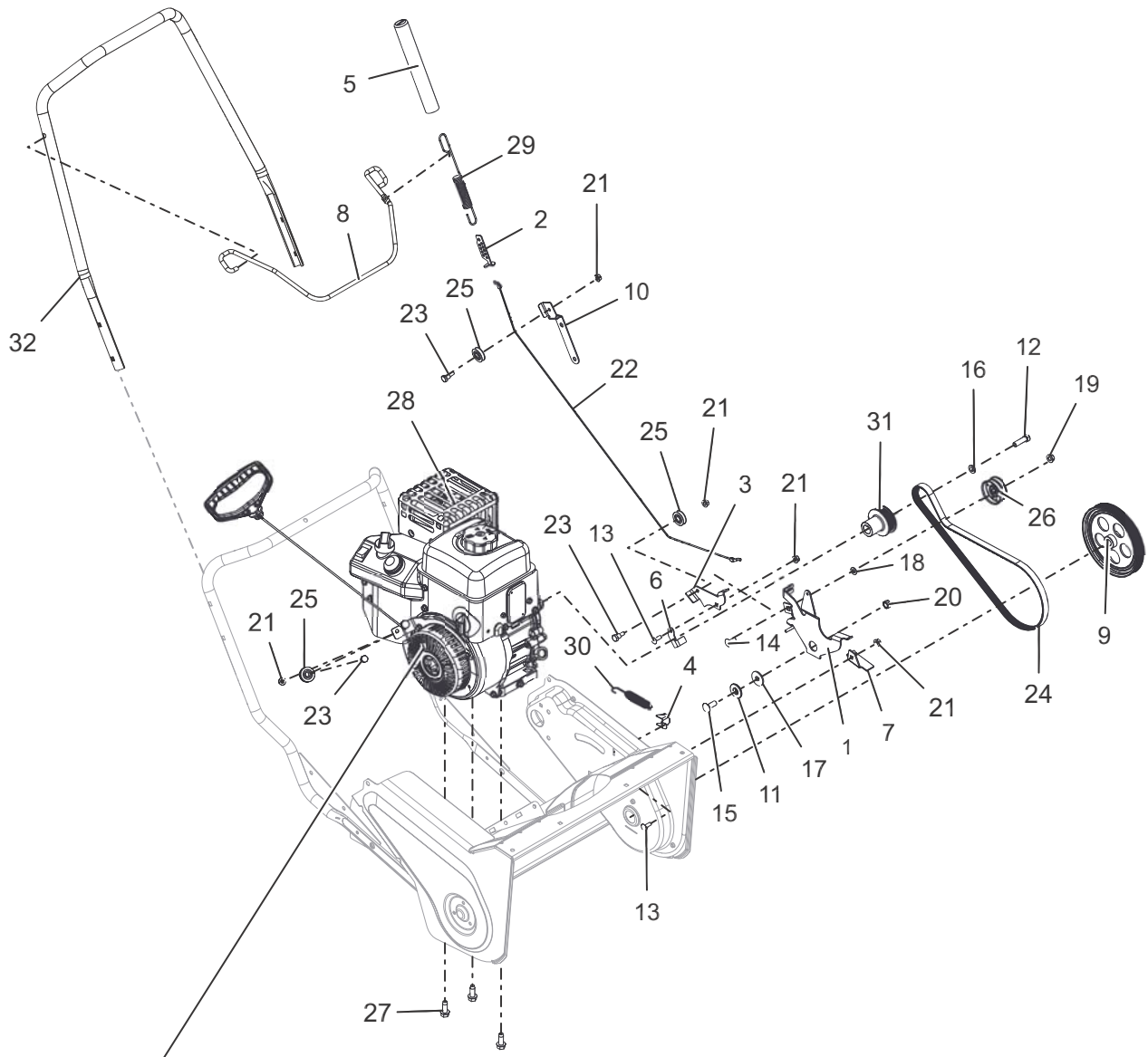
Models All



BOM ID	Number	Qty	Description
1	04522851	1	FRAME, SPCR PTO
2	04523500	1	DISCHARGE, NECK INSERT
3	05119659	1	WLDMT, HOUSING (ORANGE)
4	05121200	1	BLADE, SCRAPER - PIVOTING
5	05121300	1	ROD, PIVOT - SCRAPER
6	05134859	1	FRAME, ENGINE T-PLATE (ORANGE)
7	05142659	1	FRAME, DRIVE BRACKET - WLMT
8	05901525	2	BLT-HEX .31-24X.75 GR5 EP30 YWZC
9	05901526	2	BLT-HEX .31-24X3.00 GR5 YWZC
10	07028500	2	BLT-SERHFWH .38-16X.75 YWZC
11	06100214	3	SCR-PLASTITE .25-10X1.250 YWZC
12	06308600	2	WSHR-LK .31X.078 REG YWZC
13	06400928	2	WSHR-HDND .375X.875X.064 YWZC
14	06400929	4	WSHR, BLVL-.322X.813X.063
15	07400034	7	SCR-TAP .25-20X.50 HWH TR YWZ
16	08300712	2	SPRG, EXTENSION .063 X .500 X 3.500
17	05122159	1	COVER, BELT DRIVE - HOUSING (ORANGE)

ENGINE AND BELT DRIVE

Models All



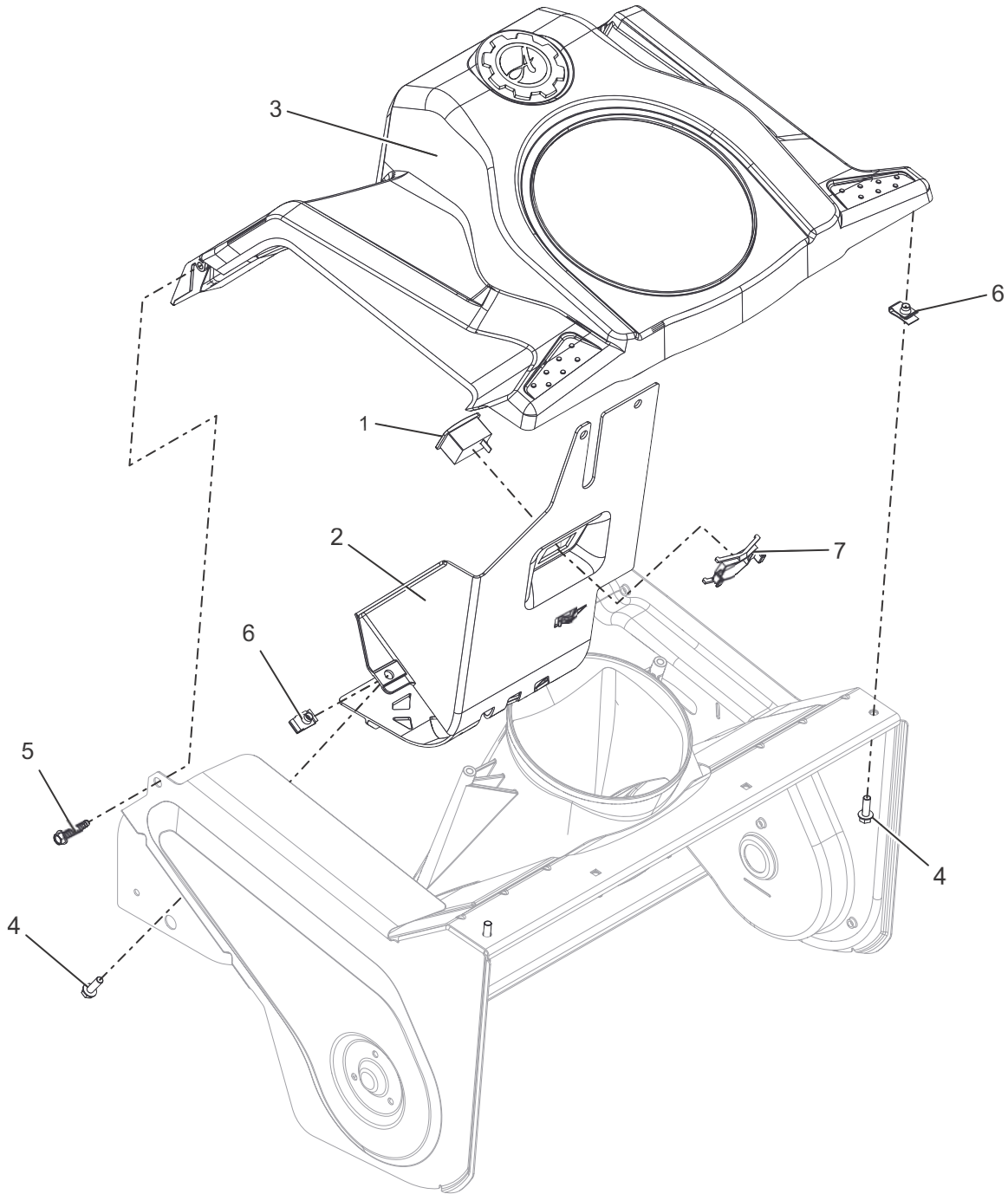
20001246 - SPARK PLUG
 20001489 - RECOIL STARTER (90" ROPE)
 20001493 - RECOIL ROLLER BRACKET WELDMENT

BOM ID	Number	Qty	Description
1	04684900	1	ARM, IDLER
2	04528051	1	PLATE, CABLE ADJUSTMENT
3	04540351	1	BRKT, CABLE
4	04553751	1	BRKT, SPRG
5	04579400	1	COVER, CABLE SPRING
6	04656251	1	FINGER, BELT
7	04671351	1	FINGER, BELT
8	05122851	1	BAIL, AUGER
9	07339500	1	PULLEY, POLY V-BELT J-6 W/HUB
10	05142559	1	BRKT, CABLE PULLY - HB (ORANGE)
11	05501126	1	BSHG, FLANGED .555X.860X.220X1.250
12	05960700	1	BLT-HEX .38-24X1.25 YWZC GR5
13	06219900	2	BOLT, CARRIAGE 0.25-20X0.75 GR5
14	06220800	1	BLT-RHDSSQNK .31-18X.75 G5YZ
15	06223600	1	BOLT, CARRIAGE 0.375-16X1 GR5
16	06308800	1	WSHR-LK .38X.094 REG YWZC
17	06400917	1	WSHR-FL-STL .406X1.25X.10 YWZC

BOM ID	Number	Qty	Description
18	06436700	1	WSHR-FL-STL .323X.625X.062 YWZC
19	06528700	1	NUT, LK-CTR-FLG .31-18 YWZC
20	06529600	1	NUT-LK-CTR .38-16 YWZC
21	06543500	5	NUT, LK-TOP-FLG .25-20 YWZC
22	06900533	1	CABLE, AUGER
23	07000021	3	BOLT, SHLDR -.375 X .375 X .25-20
24	07200627	1	V-BELT, POLY
25	07300012	3	PULLEY, CABLE
26	07338500	1	IDLER, FLAT - 1.875"
27	07414100	3	SCR-TAP .38-16X1.00 HWH TR YZ
28	08201237	1	ENGINE, AX208 LW RECOIL
29	08300539	1	SPRG, EXT
30	08300611	1	SPRG, SWIVEL HOOK EXTENSION
31	09738100	1	BLANK, ENGINE SHEAVE - 6J
32	53804200	1	HANDLEBAR, UPPER - W/DECAL

COVER

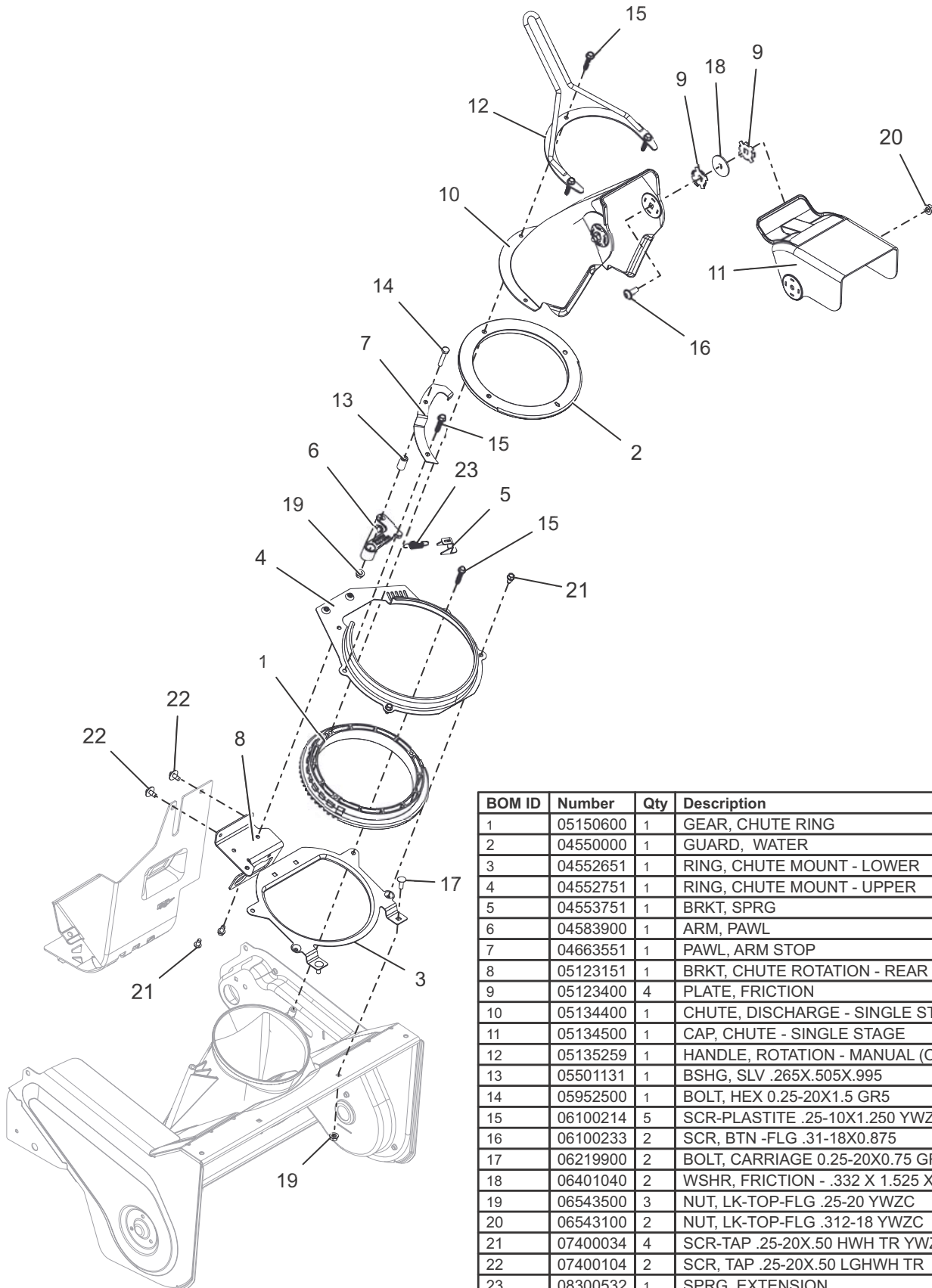
Models All



BOM ID	Number	Qty	Description
1	04196515	1	HOUR, METER - MINI, NO BUTTON
2	05135000	1	COVER, BACK
3	53804500	1	COVER, HOUSING - W/DECAL
4	05900019	3	BLT-HEX .25-20X.75 HWH YWZC GR5
5	06100214	2	SCR-PLASTITE .25-10X1.250 YWZC
6	07009000	3	NUT, RTNR .25-20 X .56
7	05126401	1	HOUR, METER - QUICK CLIP

DISCHARGE CHUTE

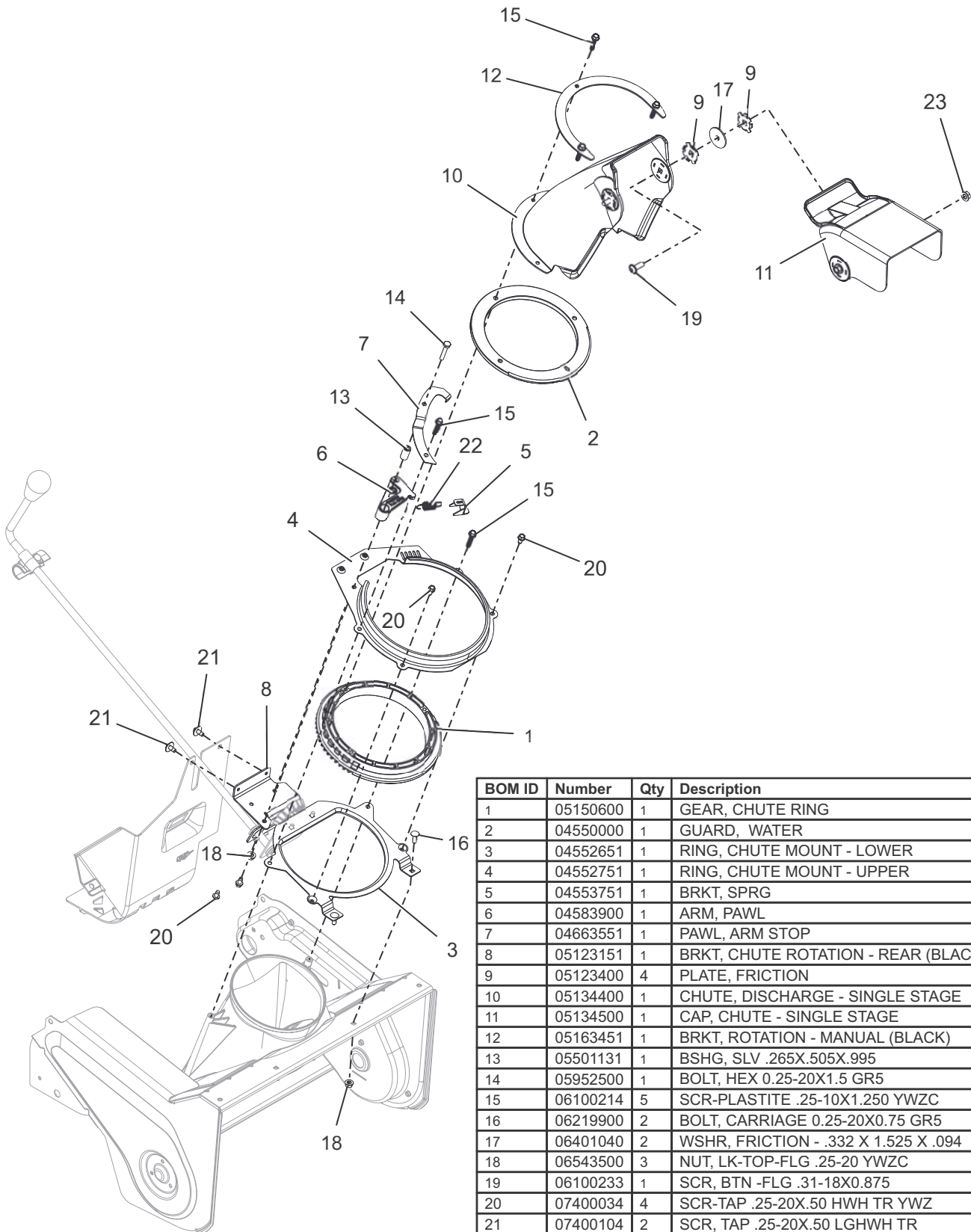
Model 938024



BOM ID	Number	Qty	Description
1	05150600	1	GEAR, CHUTE RING
2	04550000	1	GUARD, WATER
3	04552651	1	RING, CHUTE MOUNT - LOWER
4	04552751	1	RING, CHUTE MOUNT - UPPER
5	04553751	1	BRKT, SPRG
6	04583900	1	ARM, PAWL
7	04663551	1	PAWL, ARM STOP
8	05123151	1	BRKT, CHUTE ROTATION - REAR (BLACK)
9	05123400	4	PLATE, FRICTION
10	05134400	1	CHUTE, DISCHARGE - SINGLE STAGE
11	05134500	1	CAP, CHUTE - SINGLE STAGE
12	05135259	1	HANDLE, ROTATION - MANUAL (ORANGE)
13	05501131	1	BSHG, SLV .265X.505X.995
14	05952500	1	BOLT, HEX 0.25-20X1.5 GR5
15	06100214	5	SCR-PLASTITE .25-10X1.250 YWZC
16	06100233	2	SCR, BTN -FLG .31-18X0.875
17	06219900	2	BOLT, CARRIAGE 0.25-20X0.75 GR5
18	06401040	2	WSHR, FRICTION - .332 X 1.525 X .094
19	06543500	3	NUT, LK-TOP-FLG .25-20 YWZC
20	06543100	2	NUT, LK-TOP-FLG .312-18 YWZC
21	07400034	4	SCR-TAP .25-20X.50 HWH TR YWZ
22	07400104	2	SCR, TAP .25-20X.50 LGHWH TR
23	08300532	1	SPRG, EXTENSION

DISCHARGE CHUTE

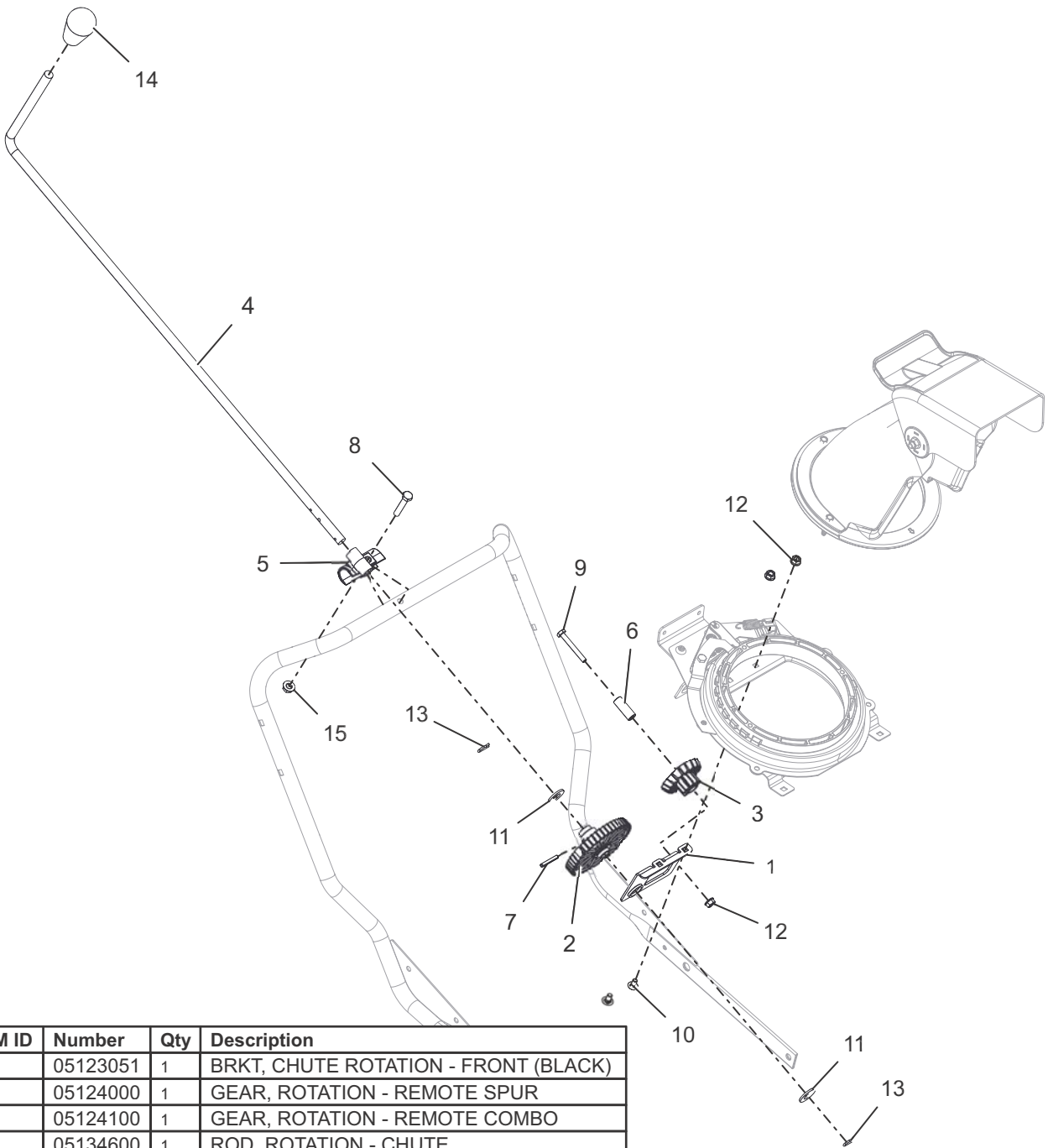
Model 938025



BOM ID	Number	Qty	Description
1	05150600	1	GEAR, CHUTE RING
2	04550000	1	GUARD, WATER
3	04552651	1	RING, CHUTE MOUNT - LOWER
4	04552751	1	RING, CHUTE MOUNT - UPPER
5	04553751	1	BRKT, SPRG
6	04583900	1	ARM, PAWL
7	04663551	1	PAWL, ARM STOP
8	05123151	1	BRKT, CHUTE ROTATION - REAR (BLACK)
9	05123400	4	PLATE, FRICTION
10	05134400	1	CHUTE, DISCHARGE - SINGLE STAGE
11	05134500	1	CAP, CHUTE - SINGLE STAGE
12	05163451	1	BRKT, ROTATION - MANUAL (BLACK)
13	05501131	1	BSHG, SLV .265X.505X.995
14	05952500	1	BOLT, HEX 0.25-20X1.5 GR5
15	06100214	5	SCR-PLASTITE .25-10X1.250 YWZC
16	06219900	2	BOLT, CARRIAGE 0.25-20X0.75 GR5
17	06401040	2	WSHR, FRICTION - .332 X 1.525 X .094
18	06543500	3	NUT, LK-TOP-FLG .25-20 YWZC
19	06100233	1	SCR, BTN -FLG .31-18X0.875
20	07400034	4	SCR-TAP .25-20X.50 HWH TR YWZ
21	07400104	2	SCR, TAP .25-20X.50 LGHWH TR
22	08300532	1	SPRG, EXTENSION
23	06543100	2	NUT, LK-TOP-FLG .312-18 YWZC

CHUTE – REMOTE

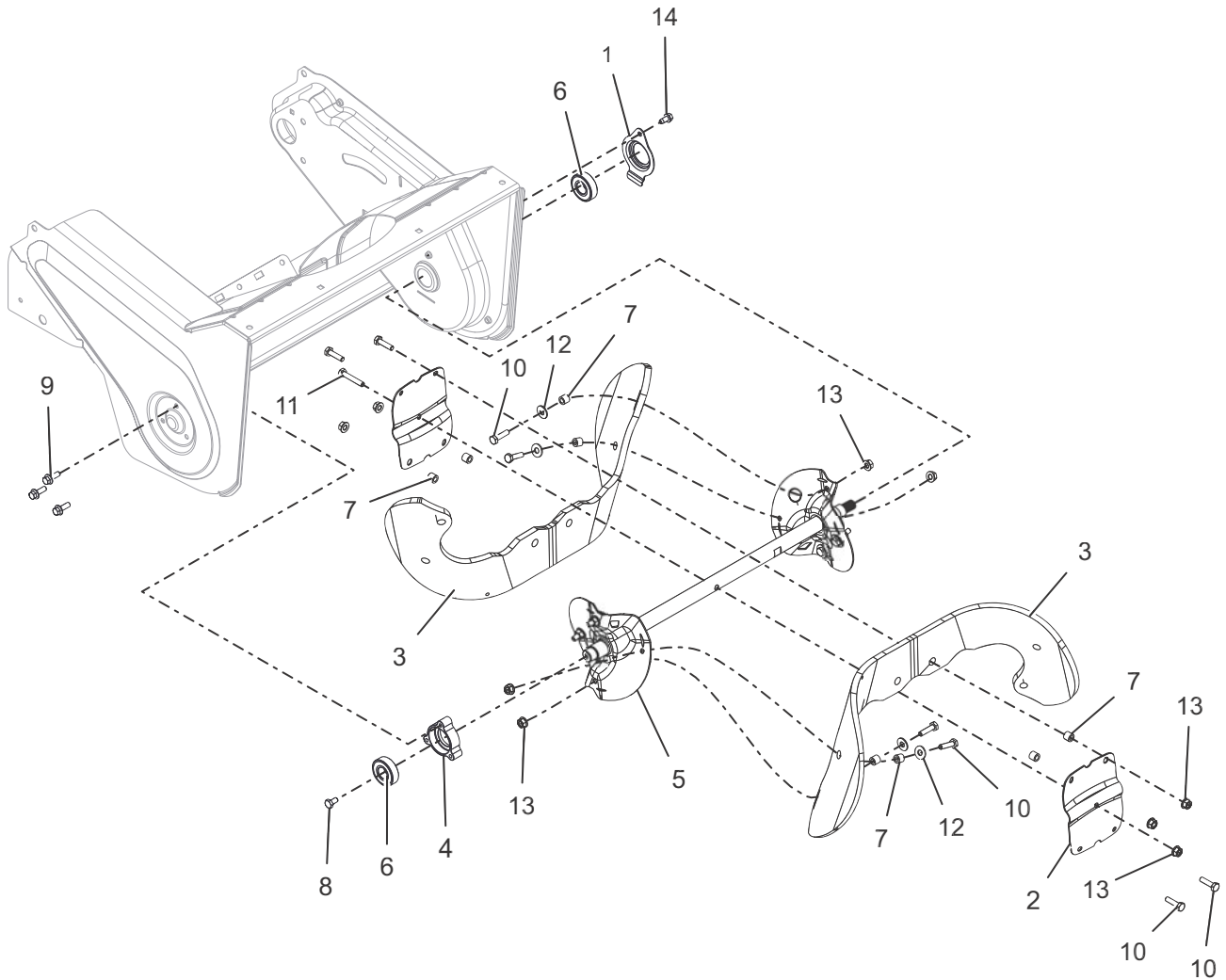
Model 938025



BOM ID	Number	Qty	Description
1	05123051	1	BRKT, CHUTE ROTATION - FRONT (BLACK)
2	05124000	1	GEAR, ROTATION - REMOTE SPUR
3	05124100	1	GEAR, ROTATION - REMOTE COMBO
4	05134600	1	ROD, ROTATION - CHUTE
5	05134700	1	ROD, ROTATION
6	05501321	1	BSHG, SLV
7	05800300	1	PIN-ROLL .188X1.25
8	05957400	1	BOLT, HEX 0.313-18X1.75 GR5
9	05967100	1	BOLT, HEX 0.25-20X2 GR5
10	06220600	2	BOLT, CARRIAGE 0.25-20X0.5 GR5
11	06441900	2	WSHR-FL-STL.531X1.06X.095YWZC
12	06543500	3	NUT, LK-TOP-FLG .25-20 YWZC
13	06944800	2	CLIP, SPRING
14	07500420	1	KNOB,
15	06543100	1	NUT, LK-TOP-FLG .312-18 YWZC

AUGER

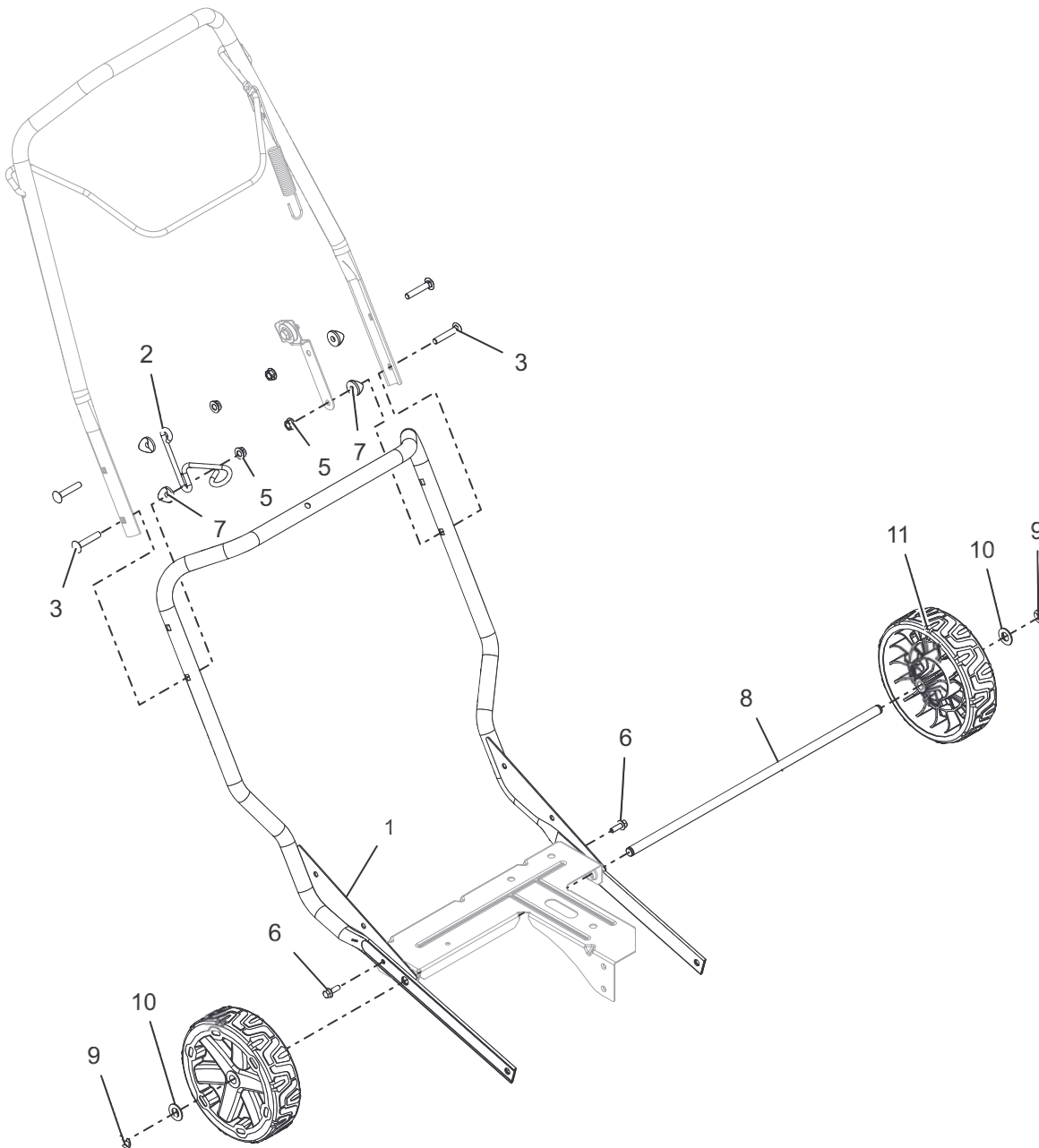
Models All



BOM ID	Number	Qty	Description
1	04524451	1	CAP, BRG ONE-BOLT
2	04763151	2	AUGER, CENTER
3	73801200	2	FLIGHT, AUGER REPLACEMENT KIT
4	05122200	1	HOLDER,
5	05132451	1	AUGER, WLDMT - SHORT
6	05400711	2	BRG-BALL .669X1.575X.47(6203Y)
7	05501228	12	BSHG-SLV .261X.44X.375
8	05900008	1	BOLT, HEX 0.25-20X0.5 GR5
9	05901731	3	BLT, HEX-FLG 0.25-20X0.75 GR5 ZB500
10	05947700	12	BOLT, HEX 0.25-20X1 GR5
11	05952500	1	BOLT, HEX 0.25-20X1.5 GR5
12	06435800	8	WSHR-FL-STL.312X.734X.065 YWZ
13	06543500	13	NUT, LK-TOP-FLG .25-20 YWZC
14	07400034	1	SCR-TAP .25-20X.50 HWH TR YWZ

HANDLEBARS AND WHEELS

Models All



BOM ID	Number	Qty	Description
1	53804300	1	HANDLEBAR, LOWER - W/DECAL
2	05122759	1	HOLDER, RECOIL (ORANGE)
3	06220200	4	BOLT, CARRIAGE 0.3125-18X1.75 GR5
5	06528700	4	NUT, LK-CTR-FLG .31-18 YWZC
6	05901830	2	BLT, HEX-FLG 0.25-20X0.75 GR5 ZC120
7	07500005	4	SPCR, HANDLEBAR
8	04523400	1	SHAFT, AXLE
9	05710200	2	RING, RETAINING EXT .500X.042 (E)
10	06425300	2	WSHR-FL-STL .531X1.000X.063 YWZC
11	07101239	2	TIRE/WHEEL, - 7.5 X 2.0



ARIENS
THE KING OF SNOW

Ariens Company
655 West Ryan Street
Brillion, WI 54110

ariensstore.com
(Dealer Locator)

ariens.custhelp.com
(Customer Support)



An *Ariens* Company Brand