

Switch-Rated IEC Pin and Sleeve
60/63A 380-415V, 3 Pole, 4 Wire

HUBBELL

Watertight Connector Body

Features

- Mates with existing installed base of IEC 60309-2 pin and sleeve devices
- Approved as a disconnecting means for motor circuits and branch circuits
- UL Type 4X, 12 and IP69k environmental ratings
- Impact and corrosion-resistant PBT that is color coded by voltage.
- Unswitched ground and power indicating LED lights



Ordering Information

Description	UPC	Catalog Number
Watertight IEC Pin and Sleeve Connector Body	783585478586	HBL5460C6W

Listings

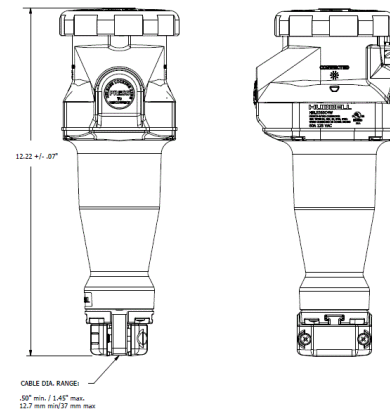
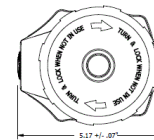
UL Listed, File E146033
 CSA Certified File LR280C
 UL Classified to IEC 60309-1 IEC 60309-2

Specifications

Housing	PBT
Cord Clamps	PBT
Glands	Solid Neoprene
Covers	PBT
Gaskets	Santoprene

Performance

Electrical	
Current Interrupting	Certified for current interrupting at full rated current
Dielectric Voltage	Withstand 3000V AC
Max. Working Voltage	600V RMS
Mechanical	
Impact Resistance	Per CSA C22.2 No. 182.1 / UL1682
Product Identification	Identification and ratings are a permanent part of the device housing
Terminal Identification	Terminals identified in accordance with North American and IEC conventions
Environmental	
Flammability	V-0
Ingress Protection	TYPE 3R,3RX,4X AND IP68,IP69K
Moisture Resistance	IEC 60309-1
Operating Temperatures	Maximum Continuous 75°C; Minimum - 40°C w/o impact



Dimensions in Inches (mm)

Hubbell Wiring Device-Kellems • Hubbell Incorporated (Delaware) • 40 Waterview Drive • Shelton, CT 06484

Phone (800) 288-6000 • Fax (800) 255-1031 • Specifications subject to change without notice.

